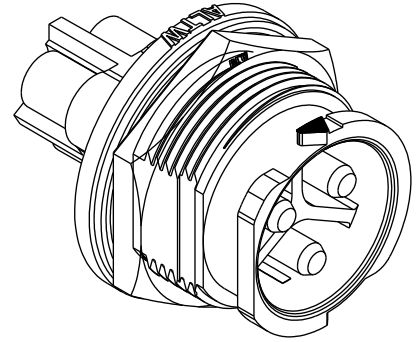
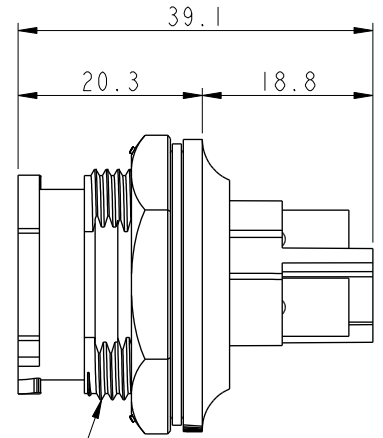
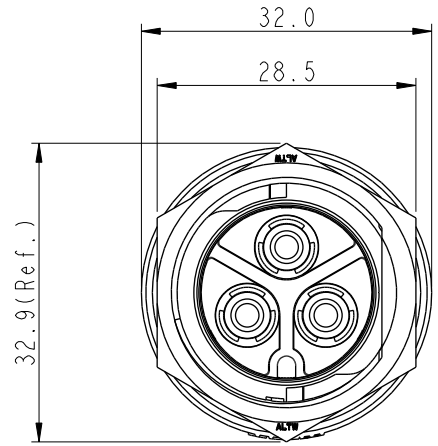


THIS DOCUMENT IS SUBJECT TO CHANGE WITHOUT NOTICE. IT IS CONFIDENTIAL AND A PROPERTY OF Amphenol LTW. DISCLOSURE TO THIRD PARTY HAS TO BE AUTHORIZED BY Amphenol LTW.

REV.	ECN NO.	DATE	SIGN	DESCRIPTION
B	C221647	2022/10/20	Ouyang	△B X1
C	C221941	2022/12/12	Ouyang	△C X1
D	C230251	2023/03/01	Vicky	△D X3



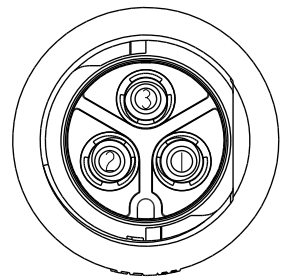
1" -20 UNEF

△ DM-XXPMMC-QC800P

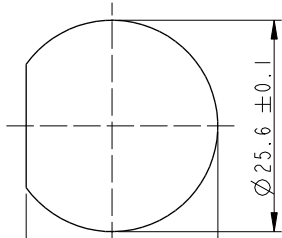
XX: No. Of Pin

⊕ White Printing

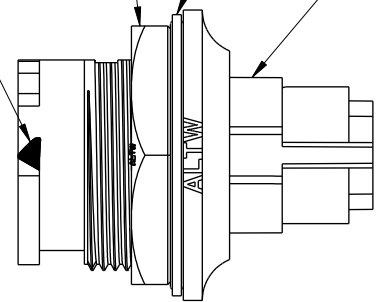
Screw Nut Gasket Connector



Pin Assignments
Front View



Recommended
Panel Cut-Out



Note:

- * RoHS Compliant
- * ⊕ Important Dimension
- * △ Waterproof Rate: IP68, Mated 1m/24h
- * Connector
 - Housing: Thermoplastic, Black
 - Pin: Copper Alloy, Silver Plated
 - Gasket: Rubber, Gray
 - Nut: Thermoplastic, Black
- * Use with waterproof cap or dust cap
Panel thickness Max: 2.6mm
- * Use without waterproof cap or dust cap
Panel thickness max: 3.6mm
- * Gasket and nut are packed separately in PE bag
- * Pin packed separately in PE bag

UNIT:mm		
TOLERANCE	±0.5mm	

TITLE XLOK, D-50A, FRONT FASTENED M, M, CRIMP, PUSH LOCK			△
SCALE 1:1	SIZE A4	SHEET 1 OF 1	
REV. D	WC-REV. .0	⊕ Inspection item	

Amphenol LTW
安費諾亮泰企業股份有限公司

ITEM NO	DRAWN BY Ouyang	DATE 2022-05-07
DWG NO △ DM-XXPMMC-QC800P	CHECKED BY Jerry	DATE 2022-05-07
CUSTOMER ALTW	APPROVED BY Fred	DATE 2022-05-07