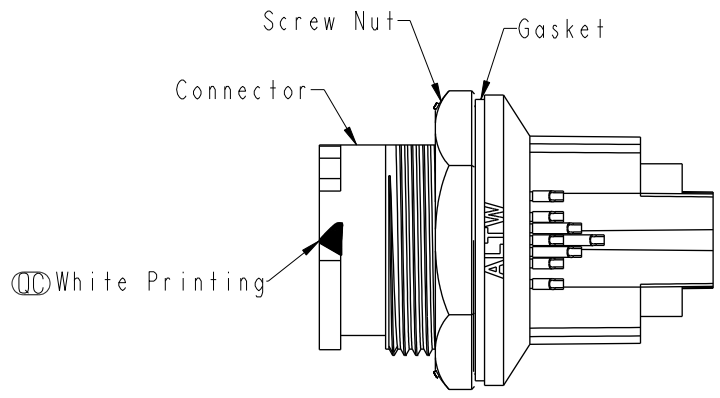
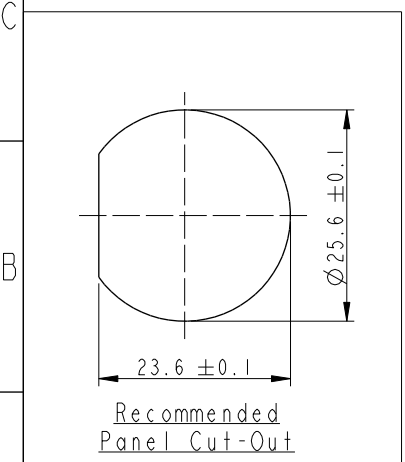
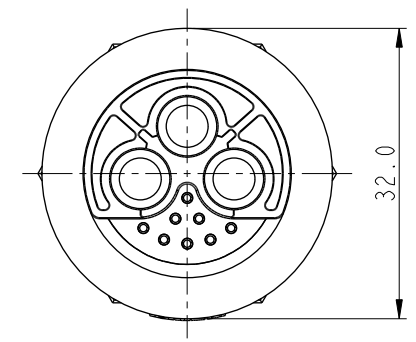
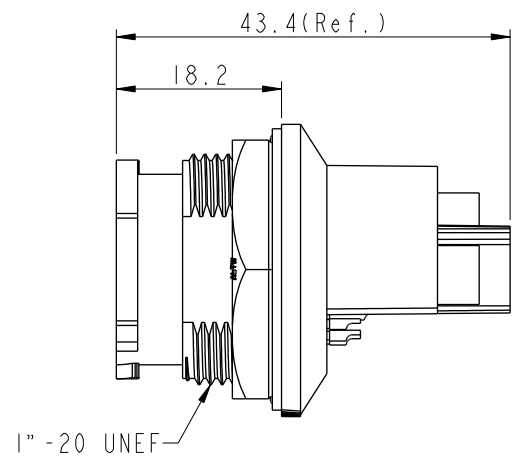
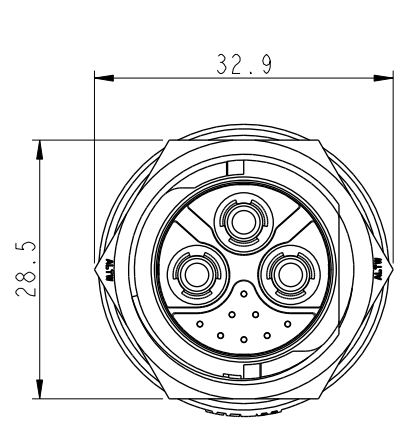


THIS DOCUMENT IS SUBJECT TO CHANGE WITHOUT NOTICE. IT IS CONFIDENTIAL AND A PROPERTY OF Amphenol LTW. DISCLOSURE TO THIRD PARTY HAS TO BE AUTHORIZED BY Amphenol LTW.

REV.	ECN NO.	DATE	SIGN	DESCRIPTION
B		2022/06/30	Ouyang	X1
C	C230251	2023/03/01	Vicky	X4

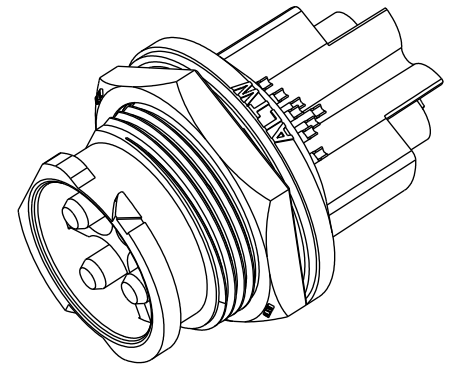


- Note:
- * RoHS Compliant
 - * Important Dimension
 - * Waterproof Rate: IP68, Mated 1m/24h
 - * Connector
 - Housing: Thermoplastic, Black
 - Power Pin: Copper Alloy, Silver Plated
 - Data Pin: Copper Alloy, Gold Plated
 - Gasket : Rubber, Gray
 - * Use with waterproof cap or dust cap
Panel thickness Max: 2.6mm
 - * Use without waterproof cap or dust cap
Panel thickness max: 3.6mm
 - * Gasket and nut are packed separately in PE bag
 - * 50A Pin packed separately in PE bag

A	UNIT: mm		TITLE XLOK, D-50A+1.5A, FRONT FASTENED M, M, CRIMP, PUSH LOCK		ITEM NO	DRAWN BY	DATE
	TOLERANCE	±0.5mm	SCALE 1:1	SIZE A4	DWG NO DMZ-XXPMC-QC8001	CHECKED BY Jerry	DATE 2022-05-09
			REV. C	WC-REV. .0	CUSTOMER ALTW	APPROVED BY Fred	DATE 2022-05-09

Amphenol LTW
安費諾亮泰企業股份有限公司

THIS DOCUMENT IS SUBJECT TO CHANGE WITHOUT NOTICE. IT IS CONFIDENTIAL AND A PROPERTY OF AMPHENOL LTW. DISCLOSURE TO THIRD PARTY HAS TO BE AUTHORIZED BY AMPHENOL LTW.



DMZ - XX PPMC - QC8001
 XX: No. Of Pin

3P Power + 1P Data	3P Power + 2P Data	3P Power + 3P Data	3P Power + 4P Data
3P Power + 5P Data	3P Power + 6P Data	3P Power + 7P Data	3P Power + 8P Data

Pin Assignments Front View

UNIT: mm
 TOLERANCE
 ±0.5mm

TITLE
 XLOK, D-50A+1.5A, FRONT FASTENED
 M, M, CRIMP, PUSH LOCK

SCALE	1:1	SIZE	A4	SHEET	2	OF	2
REV.	C	WC-REV.	.0	QC: Inspection item			

Amphenol LTW
 安費諾亮泰企業股份有限公司

ITEM NO
 DWG NO
 DMZ-XXPPMC-QC8001
 CUSTOMER
 ALTW

DRAWN BY
 Ouyang
 CHECKED BY
 Jerry
 APPROVED BY
 Fred

DATE
 2022-05-09
 DATE
 2022-05-09
 DATE
 2022-05-09