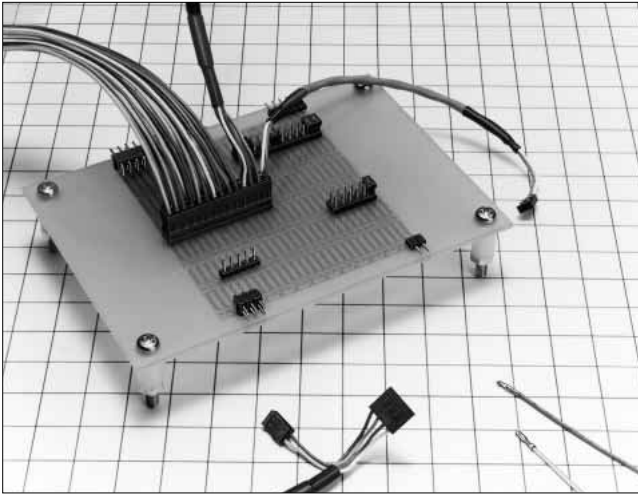


2mm Pitch Miniature Connector

A3 • A4 Series



■ Features

- 1. Miniature Type and High Density Mounting**
These connectors are designed in a miniature and light weight product, and mounted in the high density. The crimping case is structured in the 2mm pitch grid, so that connectors can be arranged for use.
- 2. Variation in Number of Contacts**
In addition to the dip type, SMT and crimping types are available with broad variations.
- 3. Stacking Variation**
When the connector is used for board to board, set 6mm between boards in conjunction with the pin header A3B, or 5.1mm between boards in conjunction with the pin header A3C.

■ Product Specifications

Rating	Current rating 1A	Operating Temperature Range -55 to +85°C (Note 1)	Storage Temperature Range -10 to +60°C (Note 2)
	Voltage rating 200V AC	Operating Moisture Range 40 to 80%	Storage Humidity Range 40 to 70% (Note 2)

Item	Specification	Condition
1. Insulation Resistance	1000MΩ min.	500V DC
2. Withstanding voltage	No flashover or insulation breakdown.	650V AC/1 minute
3. Contact Resistance	15mΩ max	0.1A
4. Vibration	No electrical discontinuity of 10μs or more	Frequency : 10 to 55Hz, single amplitude of 0.75mm, 2 hours in each of the 3 directions.
5. Humidity (Steady state)	Insulation resistance : 1000MΩ min.	96 hours at temperature of 40°C and humidity of 90% to 95%
6. Humidity resistance (Steady state)	No damage, cracks, or parts looseness.	(-65°C : 30 minutes → 15 to 35°C : 5 minutes max. 125°C : 30 minutes → 15 to 35°C : 5 minutes max.) 5 cycles
7. Operating Life	Contact resistance : 20mΩ max.	100 cycles
8. Resistance to Soldering heat	No deformation of components affecting performance.	Solder bath : 260°C for 10 seconds
		Manual soldering : DIP : 350°C for 3 seconds SMT : 360°C for 5 seconds

Note 1 : Includes temperature rise caused by current flow.

Note 2 : The term "storage" refers to products stored for long period of time prior to mounting and use. Operating Temperature Range and Humidity range covers non conducting condition of installed connectors in storage, shipment or during transportation.

Note 3 : Information contained in this catalog represents general requirements for this Series. Contact us for the drawings and specifications for a specific part number shown.

■ Applications

VTR, vehicle telephones, and other various kinds of electronic equipment

■ Materials / Finish

Part	Material	Finish	Remarks
Insulator	Pin header (Through hole)	Polyamid	UL94V-0
	Receptacle (Through hole)	PBT	
	Pin header (SMT)	PPS (Note)	
	Receptacle (SMT)		
	Crimping socket	PBT	
Contact	Pin header	Brass	Selective gold plated
	Receptacle	Phosphor bronze	
	Crimping contact		

Note : Slight variations in color of the plastic compounds do not affect form ,fit or function of the connector.

Product Number Structure

Refer to the chart below when determining the product specifications from the product number.
Please select from the product numbers listed in this catalog when placing orders.

● Pin Header (DIP type)

A3B - **12** **P** - **2** **DS**
 ① ② ③ ④ ⑤

①	Series Name: A3B : double row A4B : single row A3C : double row (low profile product)
②	Number of contacts : Double row...4, 6, 8, 10, 12, 14, 16, 18, 20, 22, 24, 26, 28, 30, 32, 44, 40, 50 (44 and 50 contacts correspond to the right angle type only. Straight angle type corresponds to the A3C type.) Single row... 2, 3, 4, 5, 6, 7, 8, 9, 10, 11, 12, 13, 14, 15, 16
③	P, PA: Pin header
④	Contact pitch : 2mm
⑤	Contact type DS : Right angle type DSA : Straight type

● Receptacle (DIP type)

A3 - **44** **D** - **2** **DS**
 ① ② ③ ④ ⑤

①	Series Name : A3 : double row A3C : double row A3D : double row (for FFC, FFC) (Note)
②	Number of contacts : 3 : 44, 50 3C, 3D : 4, 6, 8, 10, 12, 14, 16, 18, 20, 24, 28, 32, 50
③	DA : Receptacle
④	Contact pitch : 2mm
⑤	Contact type DS : Right angle type DSA : Straight type (lead length : 3mm) DSC : Straight type (lead length : 2mm) DSE : Straight type (lead length : 1.27mm)

Note : A standoff has been added to the center portion of the connector to provide stable mounting.

● Crimping Socket

A3B - **44** **D** - **2** **C**
 ① ② ③ ④ ⑤

①	Series Name : A3B : double row A4B : single row
②	Number of contacts : Double row...4, 6, 8, 10, 12, 14, 18, 20, 24, 26, 28, 44 Single row... 2, 3, 4, 5, 6, 7, 8, 9, 10, 12, 15, 16, 18
③	Contact alignment : D : double row S : single row
④	Contact pitch : 2mm
⑤	Connection type : C : crimping

● Crimping Contact

A **3B** - **2630** **SCFC**
 ① ② ③ ④

①	Series Name : A
②	Series No. : 3B
③	Applicable cable size 2630 : 26 to 30 AWG 3236 : 32 to 36 AWG
④	Packaging type SCFC : Reel SCC : Bag

● Pin Header (SMT type)

A **3** **A** - **44** **P** **A** - **2** **SV**
 ① ② ③ ④ ⑤ ⑥ ⑦ ⑧

①	Series Name : A
②	Series No. : 3
③	Positioning Boss : A : With boss No symbol : Without boss
④	Number of contacts : 4, 6, 8, 10, 12, 14, 16, 18, 20, 24, 28, 30, 32, 44, 40, 50
⑤	P : Pin header
⑥	A : Selective gold plating
⑦	Contact pitch : 2mm
⑧	Contact type SV : Board vertical type

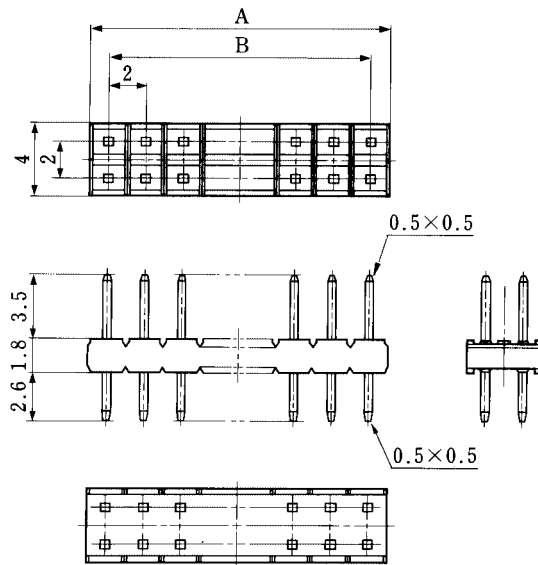
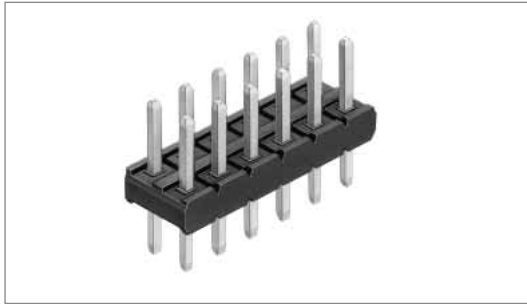
● Receptacle (SMT type)

A **3** **A** - **32** **D** **A** - **2** **SV**
 ① ② ③ ④ ⑤ ⑥ ⑦ ⑧

①	Series Name : A
②	Series No. : 3
③	Positioning Boss : A : With boss No symbol : Without boss
④	Number of contacts : 4, 6, 8, 10, 12, 14, 16, 18, 20, 24, 28, 30, 32
⑤	D : Receptacle
⑥	A : Selective gold plating
⑦	Contact pitch : 2mm
⑧	Contact type SV : Vertical type

Pin Header

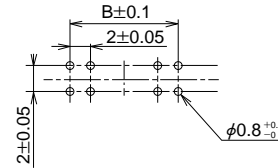
●A3B Straight Type



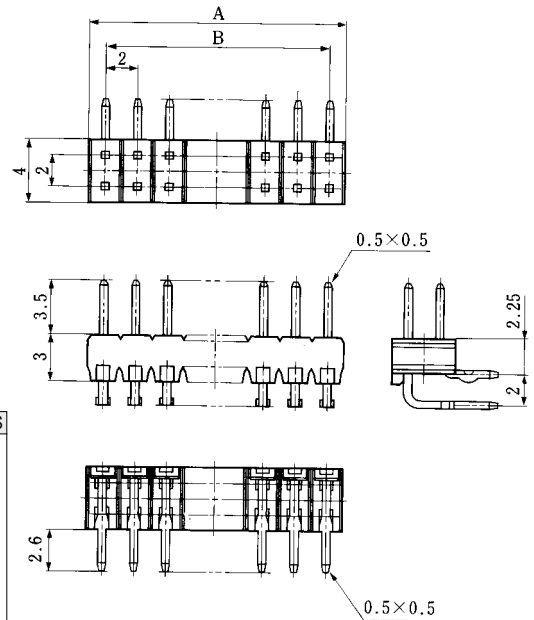
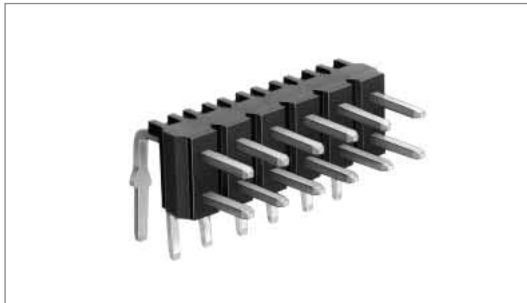
Part No.	HRS No.	No. of Contacts	A	B	RoHS
A3B- 4PA-2DSA(51)	621-0401-1 51	4	4.0	2.0	YES
A3B- 6PA-2DSA(51)	621-0402-4 51	6	6.0	4.0	
A3B- 8PA-2DSA(51)	621-0403-7 51	8	8.0	6.0	
A3B-10PA-2DSA(51)	621-0404-0 51	10	10.0	8.0	
A3B-12PA-2DSA(51)	621-0405-2 51	12	12.0	10.0	
A3B-14PA-2DSA(51)	621-0406-5 51	14	14.0	12.0	
A3B-16PA-2DSA(51)	621-0407-8 51	16	16.0	14.0	
A3B-18PA-2DSA(51)	621-0408-0 51	18	18.0	16.0	
A3B-20PA-2DSA(51)	621-0409-3 51	20	20.0	18.0	
A3B-22PA-2DSA(51)	621-0410-2 51	22	22.0	20.0	
A3B-24PA-2DSA(51)	621-0411-5 51	24	24.0	22.0	
A3B-26PA-2DSA(51)	621-0412-8 51	26	26.0	24.0	
A3B-28PA-2DSA(51)	621-0413-0 51	28	28.0	26.0	
A3B-30PA-2DSA(51)	621-0414-3 51	30	30.0	28.0	
A3B-32PA-2DSA(51)	621-0415-6 51	32	32.0	30.0	

Note : Please, order the product per 100 pcs.

◆PCB mounting pattern



●A3B Right Angle Type

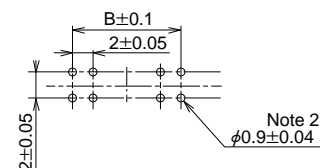


Part No.	HRS No.	No. of Contacts	A	B	Kink Positions	RoHS
A3B- 4PA-2DS(51)	621-0351-5 51	4	4.0	2.0	2	YES
A3B- 6PA-2DS(51)	621-0352-8 51	6	6.0	4.0	1 or 2 alternately	
A3B- 8PA-2DS(51)	621-0353-0 51	8	8.0	6.0	2 alternately	
A3B-10PA-2DS(51)	621-0354-3 51	10	10.0	8.0	2 or 3 alternately	
A3B-12PA-2DS(51)	621-0355-6 51	12	12.0	10.0	3 alternately	
A3B-14PA-2DS(51)	621-0356-9 51	14	14.0	12.0	3 or 4 alternately	
A3B-16PA-2DS(51)	621-0357-1 51	16	16.0	14.0	4 alternately	
A3B-18PA-2DS(51)	621-0358-4 51	18	18.0	16.0	4 or 5 alternately	
A3B-20PA-2DS(51)	621-0359-7 51	20	20.0	18.0	5 alternately	
A3B-22PA-2DS(51)	621-0360-6 51	22	22.0	20.0	5 or 6 alternately	
A3B-24PA-2DS(51)	621-0361-9 51	24	24.0	22.0	6 alternately	
A3B-26PA-2DS(51)	621-0362-1 51	26	26.0	24.0	6 or 7 alternately	
A3B-28PA-2DS(51)	621-0363-4 51	28	28.0	26.0	7 alternately	
A3B-30PA-2DS(51)	621-0364-7 51	30	30.0	28.0	7 or 8 alternately	
A3B-32PA-2DS(51)	621-0365-0 51	32	32.0	30.0	8 alternately	
A3B-44PA-2DS(51)	621-0377-9 51	44	44.0	42.0	11 alternately	
A3B-50PA-2DS(51)	621-0383-1 51	50	50.0	48.0	12 or 13 alternately	

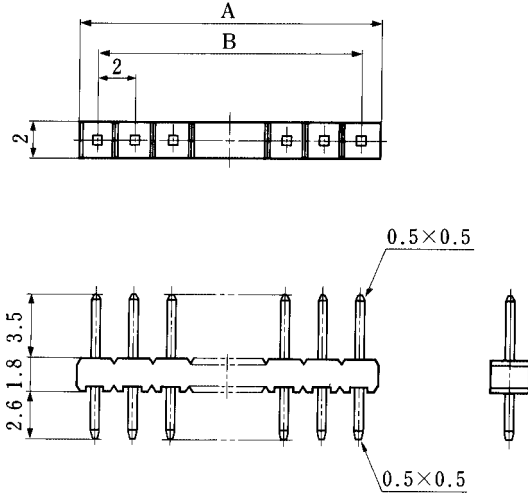
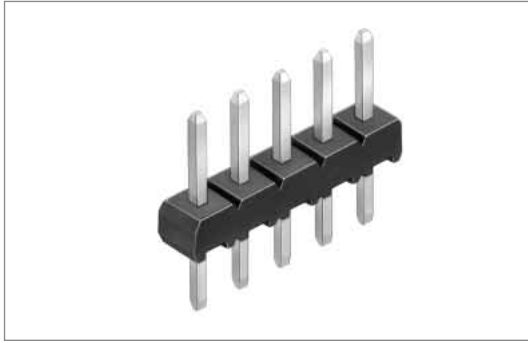
Note 1 : Please order the product per 100 pcs.

Note 2 : Diameter of 28 or more contacts is $\phi 0.95 \pm 0.04$.

◆PCB mounting pattern



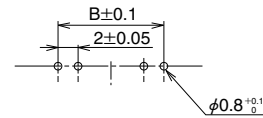
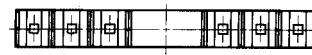
●A4B Straight Type



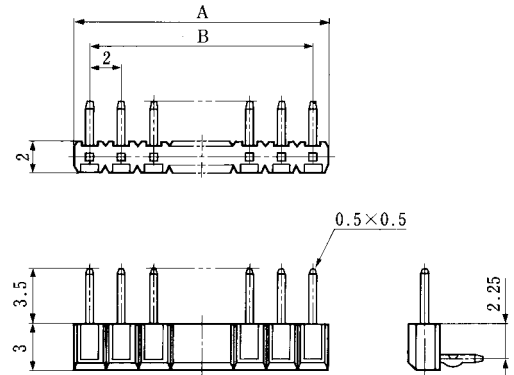
Part No.	HRS No.	No. of Contacts	A	B	RoHS
A4B- 2PA-2DSA(51)	622-0401-8 51	2	4.0	2.0	YES
A4B- 3PA-2DSA(51)	622-0402-0 51	3	6.0	4.0	
A4B- 4PA-2DSA(51)	622-0403-3 51	4	8.0	6.0	
A4B- 5PA-2DSA(51)	622-0404-6 51	5	10.0	8.0	
A4B- 6PA-2DSA(51)	622-0405-9 51	6	12.0	10.0	
A4B- 7PA-2DSA(51)	622-0406-1 51	7	14.0	12.0	
A4B- 8PA-2DSA(51)	622-0407-4 51	8	16.0	14.0	
A4B- 9PA-2DSA(51)	622-0408-7 51	9	18.0	16.0	
A4B-10PA-2DSA(51)	622-0409-0 51	10	20.0	18.0	
A4B-12PA-2DSA(51)	622-0411-1 51	12	24.0	22.0	
A4B-13PA-2DSA(51)	622-0412-4 51	13	26.0	24.0	
A4B-14PA-2DSA(51)	622-0413-7 51	14	28.0	26.0	
A4B-15PA-2DSA(51)	622-0414-0 51	15	30.0	28.0	
A4B-16PA-2DSA(51)	622-0415-2 51	16	32.0	30.0	

Note : Please order the product per 100 pcs.

◆PCB mounting pattern



●A4B Right Angle Type

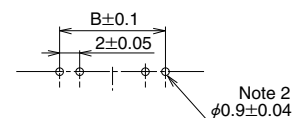
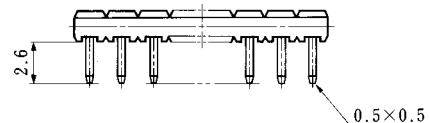


Part No.	HRS No.	No. of Contacts	A	B	Kink Positions	RoHS
A4B- 2PA-2DS(51)	622-0351-1 51	2	4.0	2.0	2	YES
A4B- 3PA-2DS(51)	622-0352-4 51	3	6.0	4.0	1 or 2 alternately	
A4B- 4PA-2DS(51)	622-0353-7 51	4	8.0	6.0	2 alternately	
A4B- 5PA-2DS(51)	622-0354-0 51	5	10.0	8.0	2 or 3 alternately	
A4B- 6PA-2DS(51)	622-0355-2 51	6	12.0	10.0	3 alternately	
A4B- 7PA-2DS(51)	622-0356-5 51	7	14.0	12.0	3 or 4 alternately	
A4B- 8PA-2DS(51)	622-0357-8 51	8	16.0	14.0	4 alternately	
A4B- 9PA-2DS(51)	622-0358-0 51	9	18.0	16.0	4 or 5 alternately	
A4B-10PA-2DS(51)	622-0359-3 51	10	20.0	18.0	5 alternately	
A4B-11PA-2DS(51)	622-0360-2 51	11	22.0	20.0	5 or 6 alternately	
A4B-12PA-2DS(51)	622-0361-5 51	12	24.0	22.0	6 alternately	
A4B-13PA-2DS(51)	622-0362-8 51	13	26.0	24.0	6 or 7 alternately	
A4B-14PA-2DS(51)	622-0363-0 51	14	28.0	26.0	7 alternately	
A4B-15PA-2DS(51)	622-0364-3 51	15	30.0	28.0	7 or 8 alternately	
A4B-16PA-2DS(51)	622-0365-6 51	16	32.0	30.0	8 alternately	

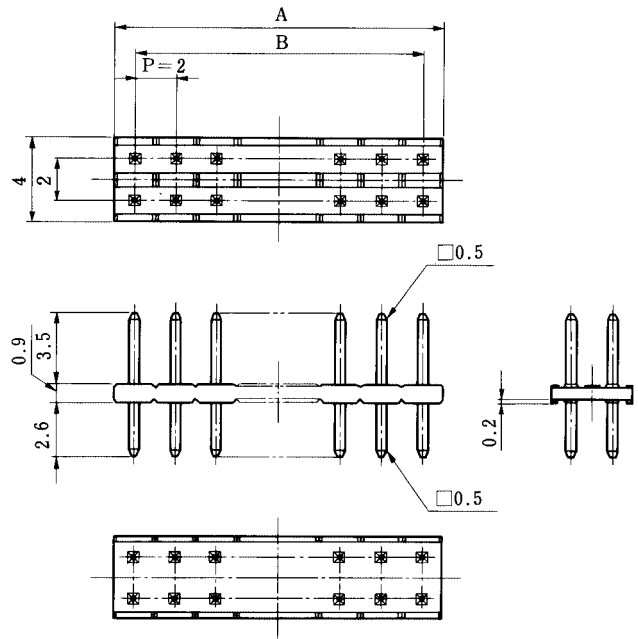
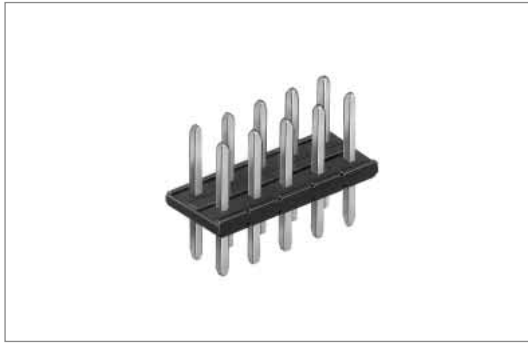
Note 1 : Please order the product per 100 pcs.

Note 2 : Dinmeter is 0.95±0.04 for 14pos, or more.

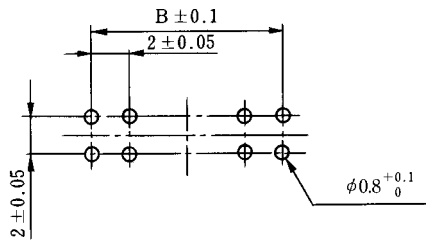
◆PCB mounting pattern



■ Pin Header



◆ PCB mounting pattern



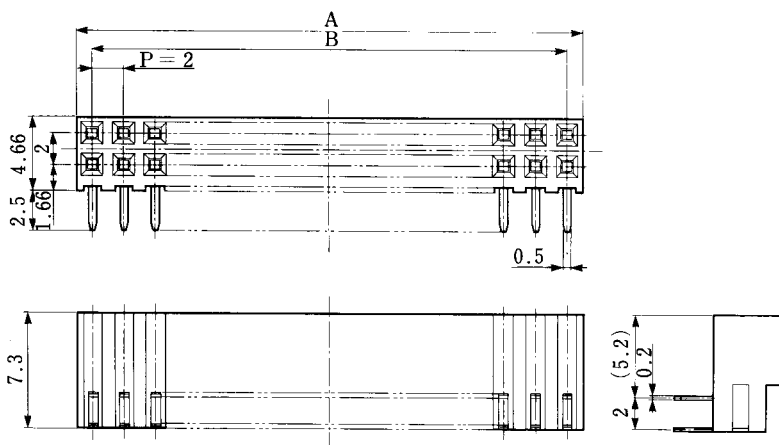
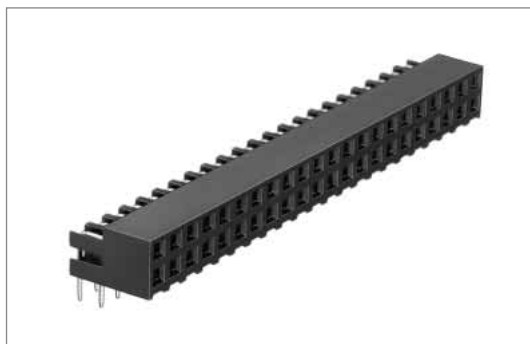
Note : Please order the product per 100 pcs.

Unit : mm

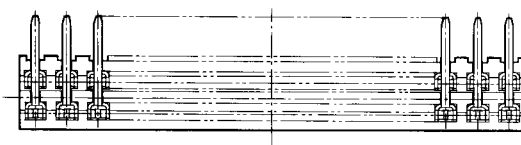
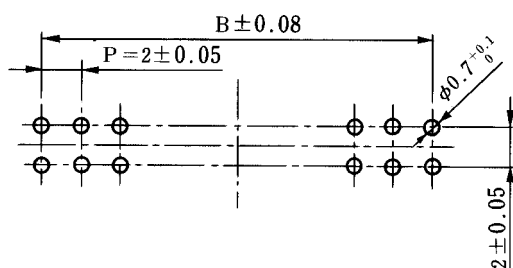
Part No.	HRS No.	No. of Contacts	A	B	RoHS
A3C- 2P-2DSA(30)	621-0601-0 30	2	2.0	—	YES
A3C- 4P-2DSA(30)	621-0602-3 30	4	4.0	2.0	
A3C- 6P-2DSA(30)	621-0603-6 30	6	6.0	4.0	
A3C- 8P-2DSA(30)	621-0604-9 30	8	8.0	6.0	
A3C-10P-2DSA(30)	621-0605-1 30	10	10.0	8.0	
A3C-12P-2DSA(30)	621-0606-4 30	12	12.0	10.0	
A3C-14P-2DSA(30)	621-0607-7 30	14	14.0	12.0	
A3C-16P-2DSA(30)	621-0608-0 30	16	16.0	14.0	
A3C-18P-2DSA(30)	621-0609-2 30	18	18.0	16.0	
A3C-20P-2DSA(30)	621-0610-1 30	20	20.0	18.0	
A3C-22P-2DSA(30)	621-0611-4 30	22	22.0	20.0	
A3C-24P-2DSA(30)	621-0612-7 30	24	24.0	22.0	
A3C-26P-2DSA(30)	621-0613-0 30	26	26.0	24.0	
A3C-28P-2DSA(30)	621-0614-2 30	28	28.0	26.0	
A3C-32P-2DSA(30)	621-0615-5 30	32	32.0	30.0	
A3C-44P-2DSA(30)	621-0622-0 30	44	44.0	42.0	
A3C-48P-2DSA(30)	621-0625-9 30	48	48.0	46.0	
A3C-50P-2DSA(30)	621-0628-7 30	50	50.0	48.0	

■ Receptacle

● A3 Right Angle Type



◆ PCB mounting pattern



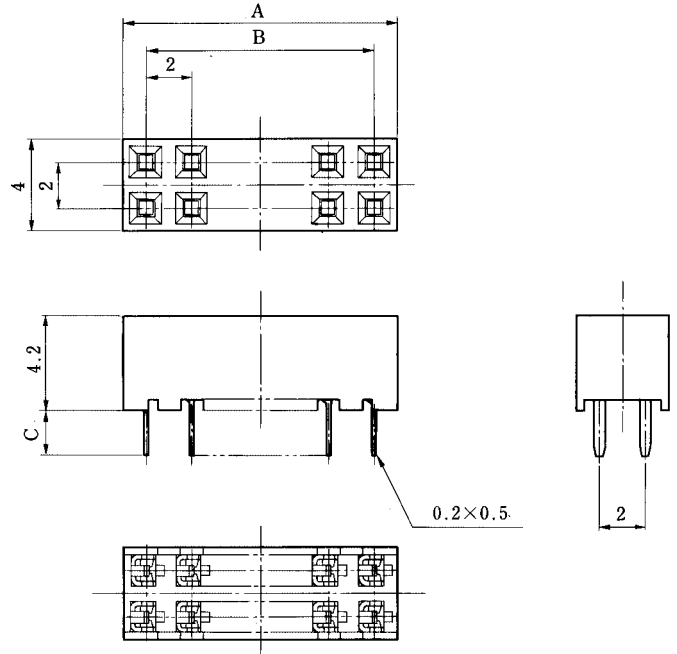
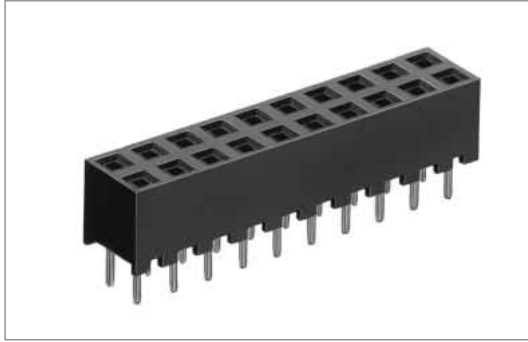
Unit : mm

Part No.	HRS No.	A	B	RoHS
A3-44DA-2DS(71)	621-0711-9 71	44	42	YES
A3-50DA-2DS(71)	621-0714-7 71	50	48	

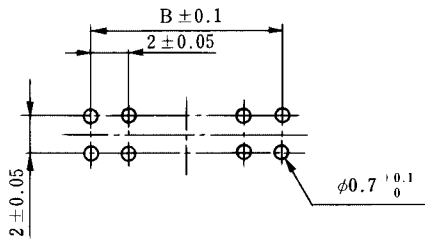
Note : Please order the product per 100 pcs.

■ Receptacle

● A3C Type



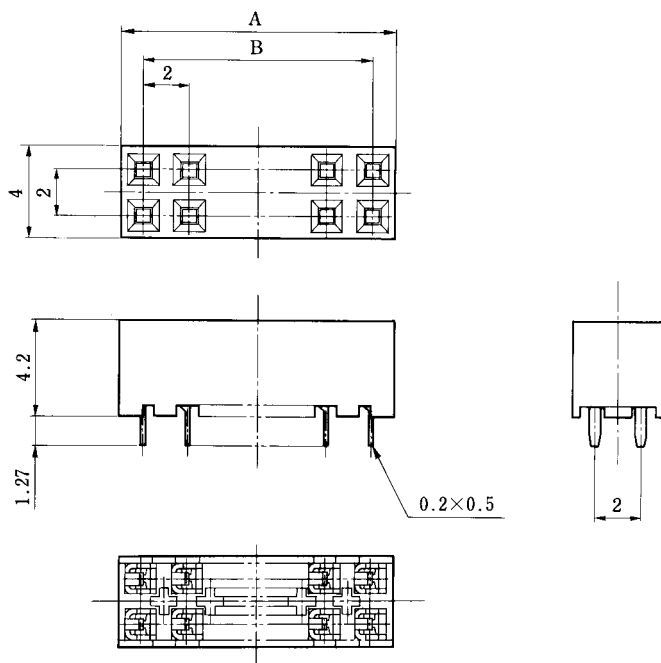
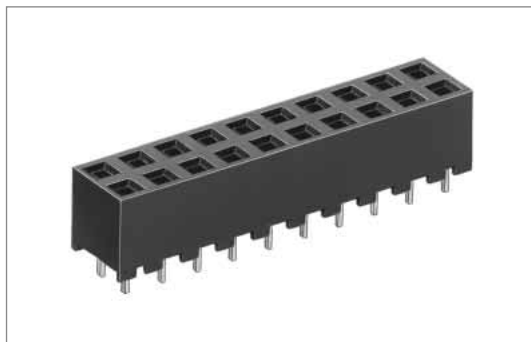
◆ PCB mounting pattern



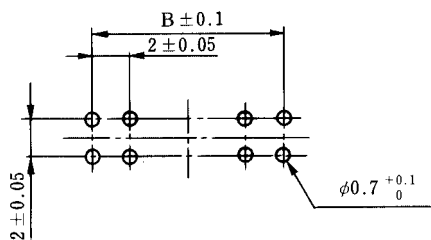
Unit : mm

Part No.	HRS No.	No. of Contacts	A	B	C	RoHS	Part No.	HRS No.	No. of Contacts	A	B	C	RoHS			
A3C- 4DA-2DSA(71)	621-0501-6 71	4	4.0	2.0	3.0	YES	A3C-20DA-2DSA(71)	621-0509-8 71	20	20.0	18.0	3.0	YES			
A3C- 4DA-2DSC(71)	621-0531-7 71				2.0		A3C-20DA-2DSC(71)	621-0539-9 71				2.0				
A3C- 6DA-2DSA(71)	621-0502-9 71	6	6.0	4.0	3.0		A3C-24DA-2DSA(71)	621-0511-0 71	24	24.0	22.0	3.0				
A3C- 6DA-2DSC(71)	621-0532-0 71				2.0		A3C-24DA-2DSC(71)	621-0541-0 71				2.0				
A3C- 8DA-2DSA(71)	621-0503-1 71	8	8.0	6.0	3.0		A3C-24DA-2DSE(71)	621-0571-1 71	50	50.0	48.0	1.27				
A3C- 8DA-2DSC(71)	621-0533-2 71				2.0		A3C-28DA-2DSA(71)	621-0513-5 71				28		28.0	26.0	3.0
A3C-10DA-2DSA(71)	621-0504-4 71	10	10.0	8.0	3.0		A3C-28DA-2DSC(71)	621-0543-6 71								2.0
A3C-10DA-2DSC(71)	621-0534-5 71				2.0		A3C-32DA-2DSA(71)	621-0515-0 71				32		32.0	30.0	3.0
A3C-12DA-2DSA(71)	621-0505-7 71	12	12.0	10.0	3.0		A3C-32DA-2DSC(71)	621-0545-1 71								2.0
A3C-12DA-2DSC(71)	621-0535-8 71				2.0		A3C-32DA-2DSE(71)	621-0575-2 71				1.27				
A3C-14DA-2DSA(71)	621-0506-0 71	14	14.0	12.0	3.0		A3C-50DA-2DSA(71)	621-0524-1 71				50		50.0	48.0	3.0
A3C-14DA-2DSC(71)	621-0536-0 71				2.0		A3C-50DA-2DSC(71)	621-0554-2 71								2.0
A3C-16DA-2DSA(71)	621-0507-2 71	16	16.0	14.0	3.0		A3C-50DA-2DSE(71)	621-0584-3 71								1.27
A3C-16DA-2DSC(71)	621-0537-3 71				2.0											
A3C-18DA-2DSA(71)	621-0508-5 71	18	18.0	16.0	3.0											
A3C-18DA-2DSC(71)	621-0538-6 71				2.0											

●A3D Type



◆PCB mounting pattern

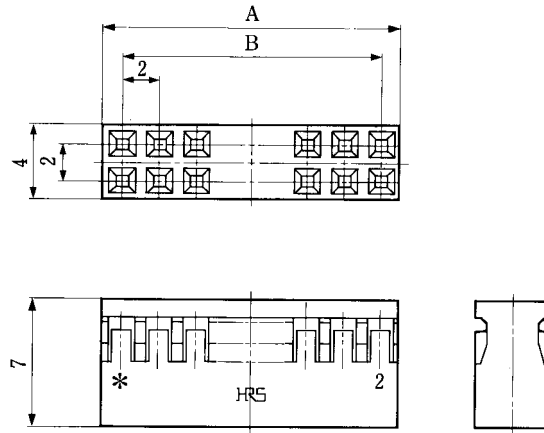
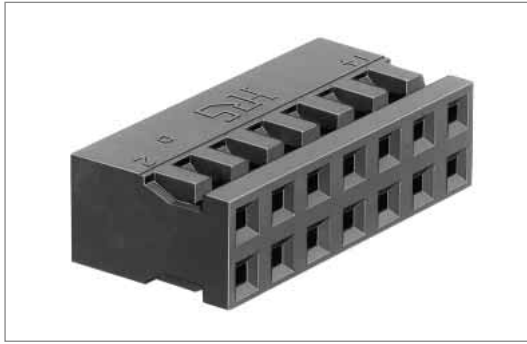


Unit : mm

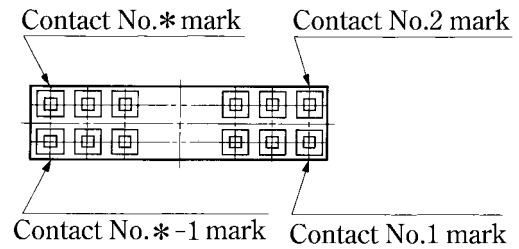
Part No.	HRS No.	No. of Contacts	A	B	RoHS
A3D- 4DA-2DSE(71)	621-0751-3 71	4	4.0	2.0	YES
A3D- 6DA-2DSE(71)	621-0752-6 71	6	6.0	4.0	
A3D- 8DA-2DSE(71)	621-0753-9 71	8	8.0	6.0	
A3D-10DA-2DSE(71)	621-0754-1 71	10	10.0	8.0	
A3D-12DA-2DSE(71)	621-0755-4 71	12	12.0	10.0	
A3D-14DA-2DSE(71)	621-0756-7 71	14	14.0	12.0	
A3D-16DA-2DSE(71)	621-0757-0 71	16	16.0	14.0	
A3D-18DA-2DSE(71)	621-0758-2 71	18	18.0	16.0	
A3D-20DA-2DSE(71)	621-0759-5 71	20	20.0	18.0	
A3D-28DA-2DSE(71)	621-0763-2 71	28	28.0	26.0	
A3D-44DA-2DSE(71)	621-0766-0 71	44	44.0	42.0	

■ Crimping Socket

● A3B-*D-2C



Part No.	HRS No.	No. of Contacts	A	B	RoHS
A3B- 4D-2C	621-0305-8	4	4.0	2.0	YES
A3B- 6D-2C	621-0306-0	6	6.0	4.0	
A3B- 8D-2C	621-0307-3	8	8.0	6.0	
A3B-10D-2C	621-0308-6	10	10.0	8.0	
A3B-12D-2C	621-0309-9	12	12.0	10.0	
A3B-14D-2C	621-0310-8	14	14.0	12.0	
A3B-18D-2C	621-0311-0	18	18.0	16.0	
A3B-20D-2C	621-0312-3	20	20.0	18.0	
A3B-24D-2C	621-0313-6	24	24.0	22.0	
A3B-28D-2C	621-0314-9	28	28.0	26.0	
A3B-44D-2C	621-0330-5	44	44.0	42.0	



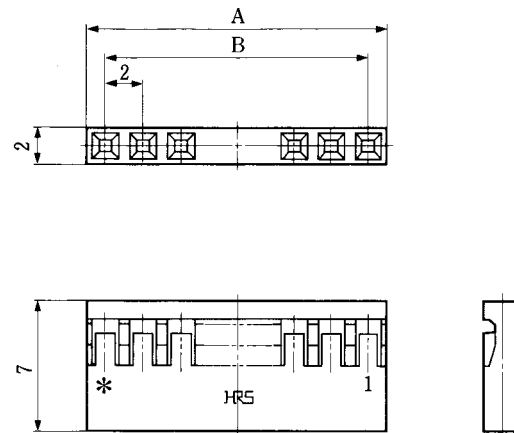
Note 1 : * indicates the number of contacts.

Note 2 : Please order the product per 100 pcs.

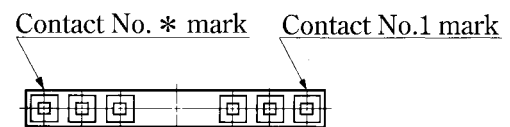
Note 3 : Use other contacts in combination.

(Example : 50 contacts = 44 contacts + 6 contacts)

● A4B-*S-2C



Part No.	HRS No.	No. of Contacts	A	B	RoHS
A4B- 2S-2C	622-0301-3	2	4.0	2.0	YES
A4B- 3S-2C	622-0302-6	3	6.0	4.0	
A4B- 4S-2C	622-0303-9	4	8.0	6.0	
A4B- 5S-2C	622-0304-1	5	10.0	8.0	
A4B- 6S-2C	622-0305-4	6	12.0	10.0	
A4B- 8S-2C	622-0306-7	8	16.0	14.0	
A4B-10S-2C	622-0307-0	10	20.0	18.0	
A4B-12S-2C	622-0308-2	12	24.0	22.0	
A4B-15S-2C	622-0311-7	15	30.0	28.0	
A4B-16S-2C	622-0310-4	16	32.0	30.0	
A4B-18S-2C	622-0309-5	18	36.0	34.0	

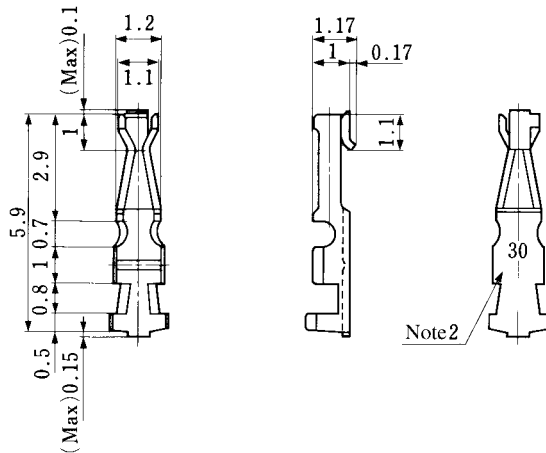


Note 1 : * indicates the number of contacts.

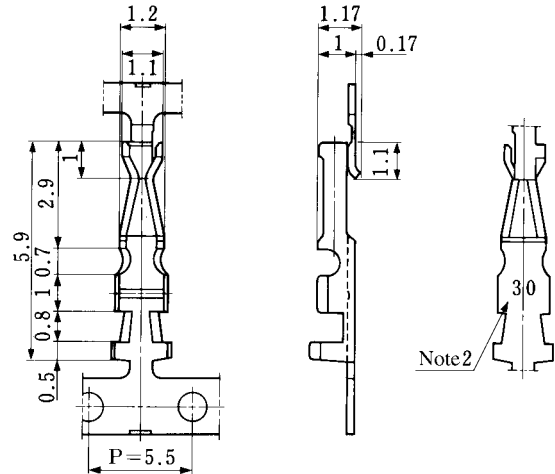
Note 2 : Please, order the product per 100 pcs.

■ Crimping Contact

SCC contact



SCFC contact



Note 1 : The plating specification is shown as follows:

(Contact area) : Gold plating

(Others) : Nickel plating

Note 2 : "30" is stamped on A3B-2630SCFC(SCC),

and "36" is stamped on A3B-3236SCFC(SCC).

Part No.	HRS No.	Applicable Cable	Type	Quantity	Crimping Tool	RoHS
A3B-2630SCFC	621-0301-7	26 to 30 AWG	Reel	10000	Automatic crimper CM-105C+AP105-A3B-2630S	YES
A3B-2630SCC	621-0302-0	26 to 30 AWG	Bag	100	A3B-TA2630HC	
A3B-3236SCFC	621-0303-2	32 to 36 AWG	Reel	10000	Automatic crimper CM-105C+AP105-A3B-3236S	

◆ Crimping Tool

Manual crimping tool
A3B-TA2630HC



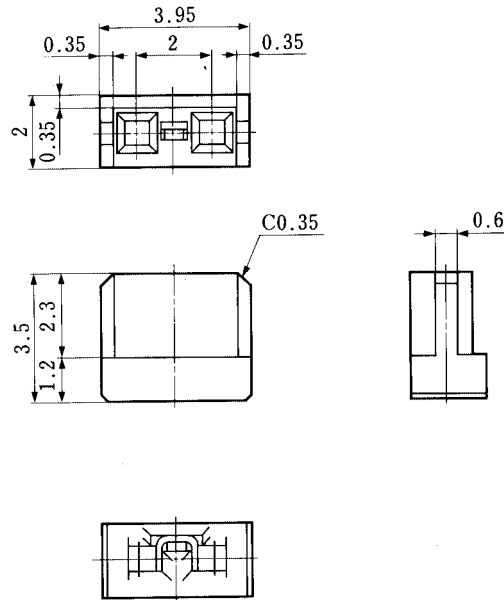
Automatic crimping machine
CM-105C



Specification	
Power supply	100V AC, single phase 200W
Gross weight	75kg
Machining range	2000 to 4000 contacts/hour
Remarks	Crimping of various contacts by replacing the applicator

Type	Item	Part No.	HRS No.	Applicable Contact	Applicable Cable
Manual	Manual crimping tool	A3B-TA2630HC	550-0200-7	A3B-2630SCC	26 to 30 AWG
Automatic	Automatic crimping machine	CM-105C	901-0001-0	—	—
	Applicator	AP105-A3B-2630S	901-4016-2	A3B-2630SCFC	26 to 30 AWG
		AP105-A3B-3236S	901-4017-5	A3B-3236SCFC	32 to 36 AWG

◆ Short Pin

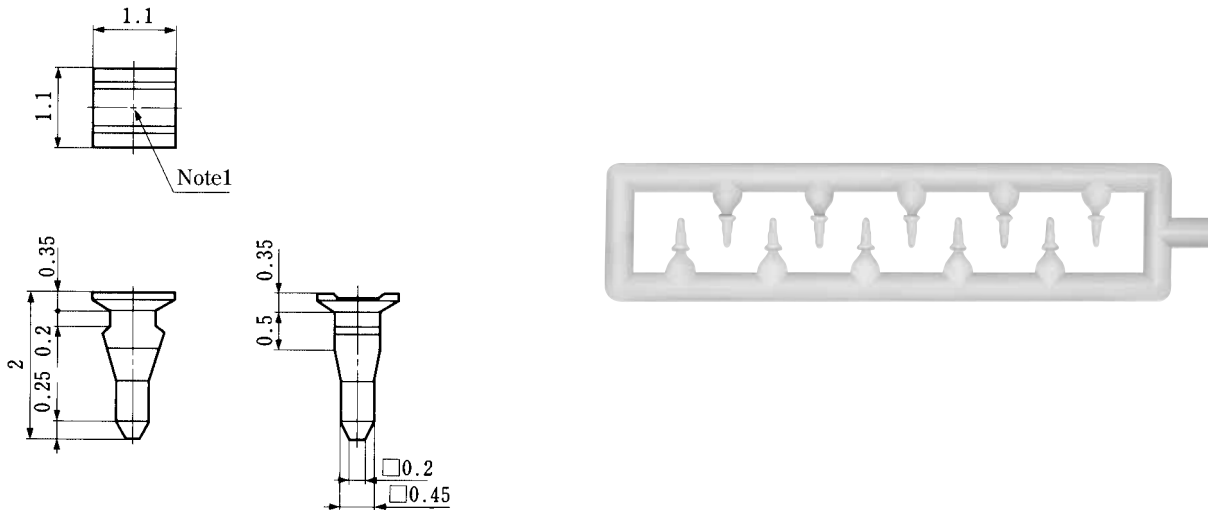


Please, order the product per 1000 pcs.

Part No.	HRS No.	Material		Finish	RoHS
A3-SP(A)	621-0180-4	Housing	PBT	Black (UL94V-0)	YES
		Contact	Phosphor bronze	Selective gold plating	

◆ Polarizing Key

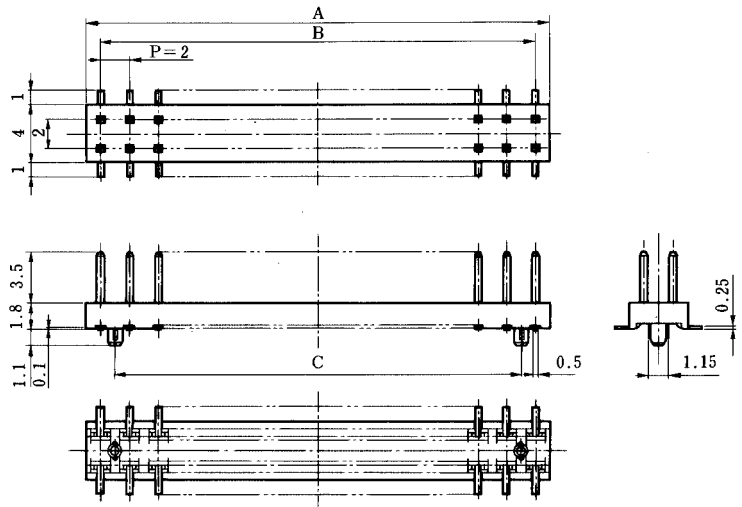
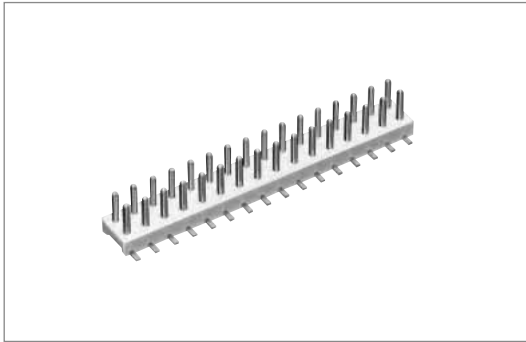
A3-GPIN(A)



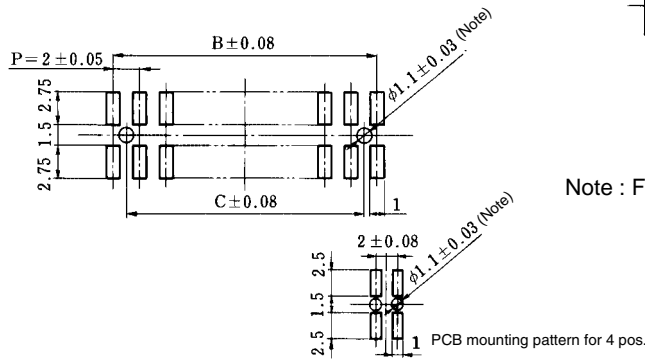
Note : This product is provided in a set of 10 pieces in conjunction with a runner.
The unit for sale consists of 10 sets, which are included in one pack.

Part No.	HRS No.	Material	RoHS
A3-GPIN(A)	621-0178-2	Poly acetal (white)	YES

Pin Header



PCB mounting pattern

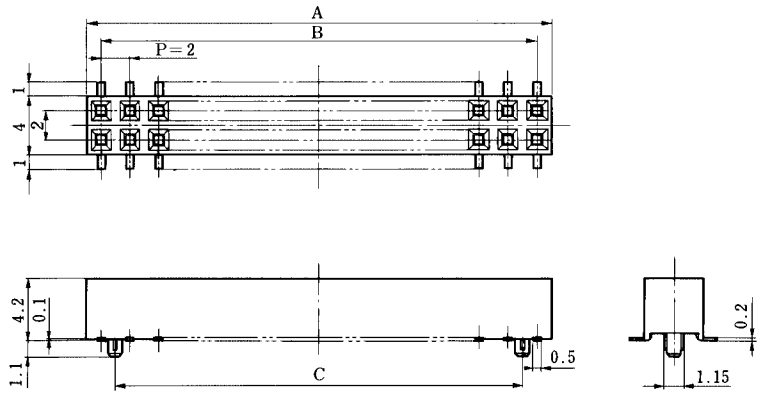
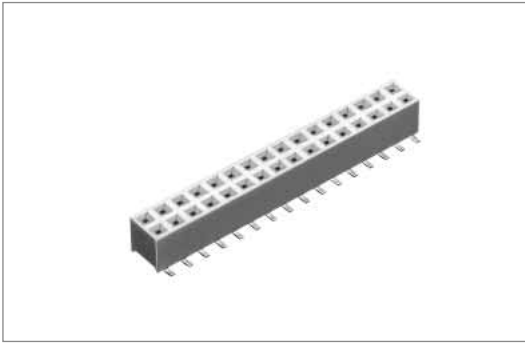


Note : For automatic board placement, recommended boss dia. is $1.2^{+0.1}_{-0}$.

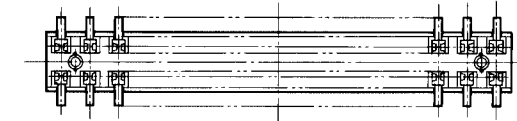
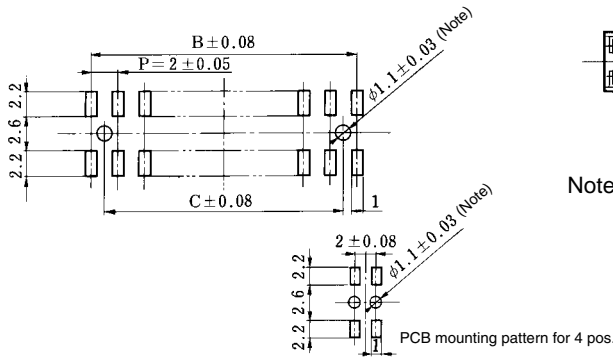
Unit : mm

Part No.	HRS No.	No. of Contacts	A	B	C	RoHS
A3 - 4PA-2SV(71)	621-1000-6 71	4	4.0	2.0	—	YES
A3A- 4PA-2SV(71)	621-1040-0 71				2.0	
A3 - 6PA-2SV(71)	621-1001-9 71	6	6.0	4.0	—	
A3A- 6PA-2SV(71)	621-1041-3 71				2.0	
A3 - 8PA-2SV(71)	621-1002-1 71	8	8.0	6.0	—	
A3A- 8PA-2SV(71)	621-1042-6 71				4.0	
A3 -10PA-2SV(71)	621-1003-4 71	10	10.0	8.0	—	
A3A-10PA-2SV(71)	621-1043-9 71				6.0	
A3 -12PA-2SV(71)	621-1004-7 71	12	12.0	10.0	—	
A3A-12PA-2SV(71)	621-1044-1 71				8.0	
A3 -14PA-2SV(71)	621-1005-0 71	14	14.0	12.0	—	
A3A-14PA-2SV(71)	621-1045-4 71				10.0	
A3 -16PA-2SV(71)	621-1006-2 71	16	16.0	14.0	—	
A3A-16PA-2SV(71)	621-1046-7 71				12.0	
A3 -20PA-2SV(71)	621-1008-8 71	20	20.0	18.0	—	
A3A-20PA-2SV(71)	621-1048-2 71				16.0	
A3 -24PA-2SV(71)	621-1010-0 71	24	24.0	22.0	—	
A3A-24PA-2SV(71)	621-1050-4 71				20.0	
A3 -28PA-2SV(71)	621-1012-5 71	28	28.0	26.0	—	
A3A-28PA-2SV(71)	621-1052-0 71				24.0	
A3 -32PA-2SV(71)	621-1014-0 71	32	32.0	30.0	—	
A3A-32PA-2SV(71)	621-1054-5 71				28.0	
A3 -44PA-2SV(71)	621-1015-3 71	44	44.0	42.0	—	
A3A-44PA-2SV(71)	621-1055-8 71				40.0	
A3 -50PA-2SV(71)	621-1016-6 71	50	50.0	48.0	—	
A3A-50PA-2SV(71)	621-1056-0 71				46.0	

■ Receptacle



◆ PCB mounting pattern

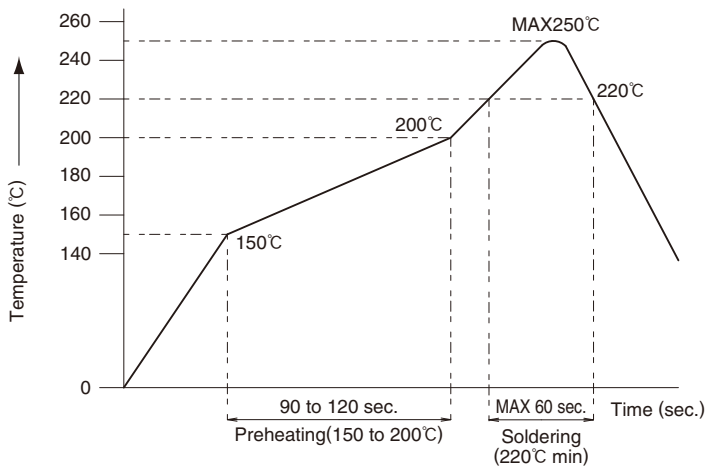


Note : For automatic board placement, recommended boss dia. is $1.2^{+0.1}_0$.

Unit : mm

Part No.	HRS No.	No. of Contacts	A	B	C	RoHS
A3 - 4DA-2SV(71)	621-1100-0 71	4	4.0	2.0	—	YES
A3A- 4DA-2SV(71)	621-1140-5 71				2.0	
A3 - 6DA-2SV(71)	621-1101-3 71	6	6.0	4.0	—	
A3A- 6DA-2SV(71)	621-1141-8 71				2.0	
A3 - 8DA-2SV(71)	621-1102-6 71	8	8.0	6.0	—	
A3A- 8DA-2SV(71)	621-1142-0 71				4.0	
A3 -10DA-2SV(71)	621-1103-9 71	10	10.0	8.0	—	
A3A-10DA-2SV(71)	621-1143-3 71				6.0	
A3 -12DA-2SV(71)	621-1104-1 71	12	12.0	10.0	—	
A3A-12DA-2SV(71)	621-1144-6 71				8.0	
A3 -14DA-2SV(71)	621-1105-4 71	14	14.0	12.0	—	
A3A-14DA-2SV(71)	621-1145-9 71				10.0	
A3 -16DA-2SV(71)	621-1106-7 71	16	16.0	14.0	—	
A3A-16DA-2SV(71)	621-1146-1 71				12.0	
A3 -20DA-2SV(71)	621-1108-2 71	20	20.0	18.0	—	
A3A-20DA-2SV(71)	621-1148-7 71				16.0	
A3 -24DA-2SV(71)	621-1110-4 71	24	24.0	22.0	—	
A3A-24DA-2SV(71)	621-1150-9 71				20.0	
A3 -28DA-2SV(71)	621-1112-0 71	28	28.0	26.0	—	
A3A-28DA-2SV(71)	621-1152-4 71				24.0	
A3 -32DA-2SV(71)	621-1114-5 71	32	32.0	30.0	—	
A3A-32DA-2SV(71)	621-1154-0 71				28.0	

◆ Recommended Temperature Profile



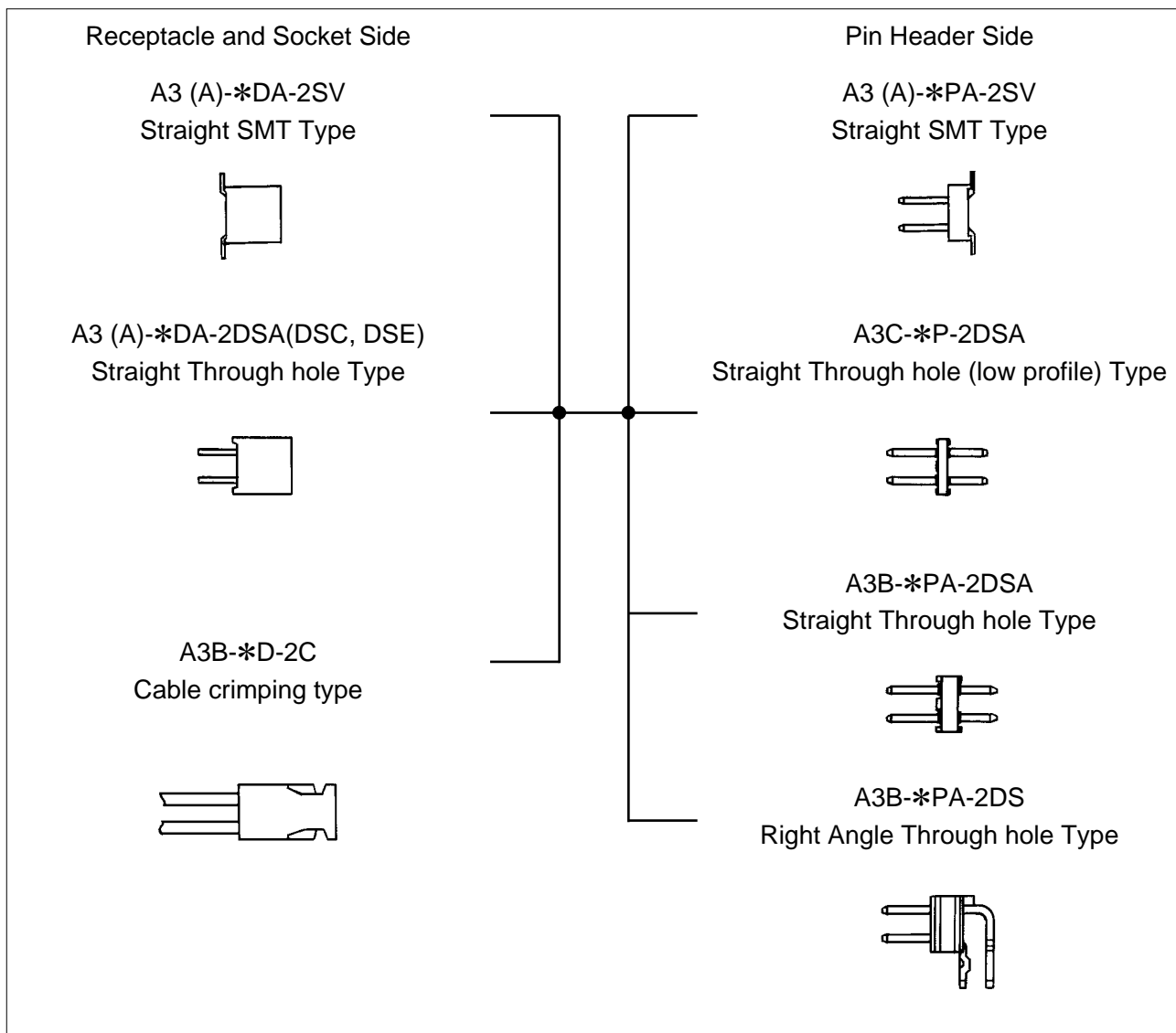
HRS test conditions

Test board Glass epoxy 85mm×60mm×1.6mm thick
 Solder method : Reflow
 Solder composition : Paste, 96.5%Sn/3%Ag/0.5%Cu
 Metal mask : 0.2mm thick
 Reflow cycles : 2 cycles

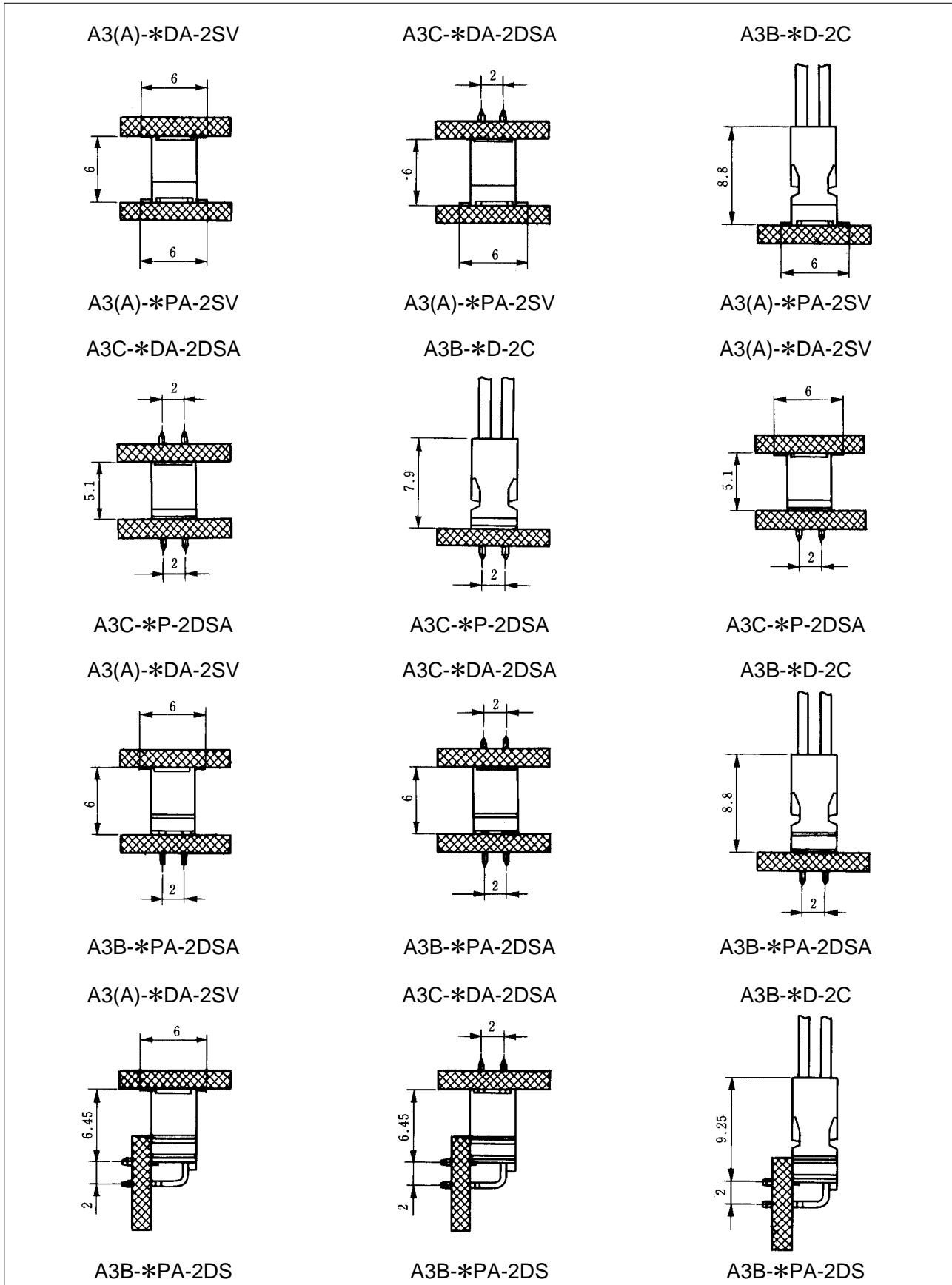
The temperature profile is based on the above conditions.

In individual applications the actual temperature may vary, depending on solder paste type, volume/thickness and board size/thickness. Consult your solder paste and equipment manufacturer for specific recommendations.

◆ Functional Block Chart



◆ Application Pattern (A3 series)



Note : When the connector is mounted on the board surface, the mounting height is a size designed in single connector. Solder paste used for installation will slightly change according to solder thickness.