

02

2650 ... T12CB T

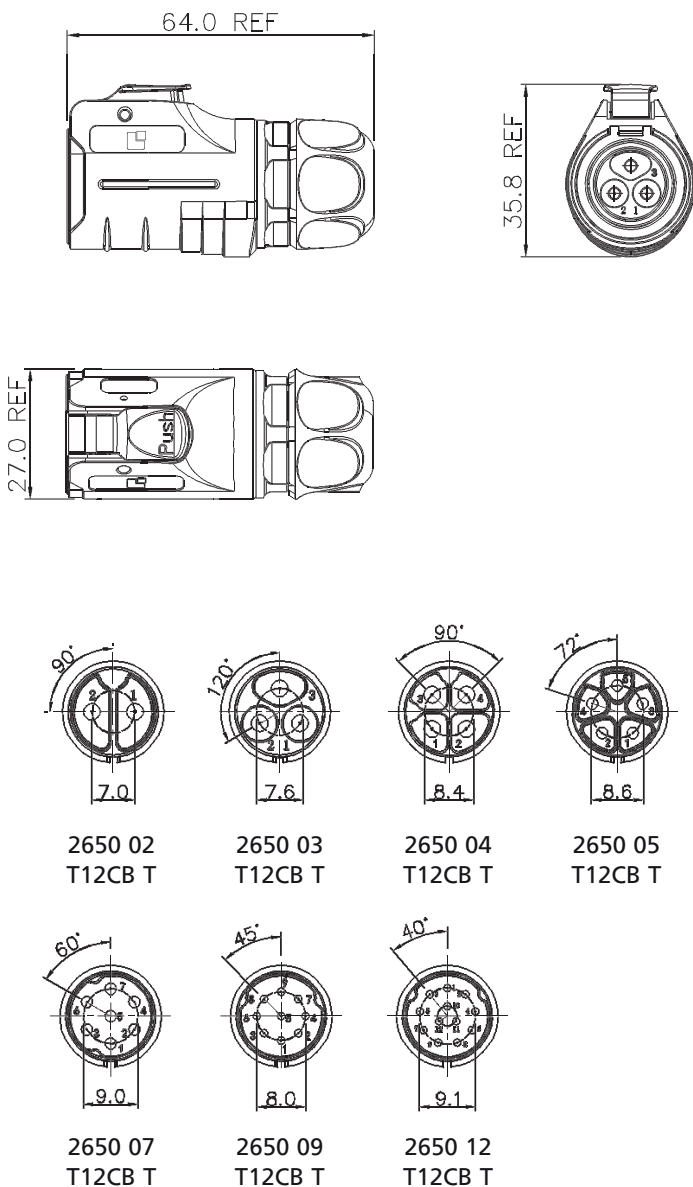
Field-attachable Connectors Quicklock



Quicklock plug with locking latch, IP67, size 20, straight version, with plastic housing and solder terminals

Approvals:  

02 2650 ... T12CB T



Environmental conditions

Temperature range -40 °C/+80 °C

Materials

Insulating body PBT, V-0 according to UL94
 Contact pin CuZn, gold-plated
 Housing PBT, V-0 according to UL94¹
 Locking Zn-alloy, chrome-plated
 Cap nut PBT, V-0 according to UL94¹

¹ outdoor sustainable (F1 according to UL 746C)

Mechanical data

Protection class IP67¹

¹ only in locked condition with an appropriate counterpart

Connectable conductors for solder area

Section 2.5–4.0 mm²/AWG 14–12 (2–4 poles)
 1.0–1.5 mm²/AWG 18–16 (5–7 poles)
 0.34–0.75 mm²/AWG 22–20 (9–12 poles)
 Cable diameter 8.5–10.5 mm (state of delivery 2–4, 12 poles)
 10.0–12.0 mm (state of delivery 5–7 poles)
 5.0–6.5 mm (state of delivery 9 poles)
 5.0–6.5 mm (with accessory 9926 SL6,5)
 8.5–10.5 mm (with accessory 9926 SL10,5)
 10.0–12.0 mm (with accessory 9926 SL12)

Electrical data (at T_{amb} 20 °C)

Rated current 20 A (2–4 poles)
 12 A (5–7 poles)
 5 A (9–12 poles)
 Rated voltage 500 V (2–7 poles)
 250 V (9–12 poles)
 Rated impulse voltage 2500 V AC (2–7 poles)
 1500 V AC (9–12 poles)
 Creepage distance ≥ 2 mm
 Clearance ≥ 2 mm
 Insulation resistance > 500 MΩ

02

2650 ... T12CB T

Associated products

Counterparts

[↗ 2620 ... T22CB100](#) [↗ 2640 ... T12CB A](#)

Accessories

[↗ 9926 CPMF0](#) [↗ 9926 SL10,5](#) [↗ 9926 SL12](#)
[↗ 9926 SL6,5](#)

02

2650 ... T12CB T

Designation	Pole Number	PU (Pieces)	MDQ (Pieces)
2650 02 T12CB T	2	10	40
2650 03 T12CB T	3	10	40
2650 04 T12CB T	4	10	40
2650 05 T12CB T	5	10	40
2650 07 T12CB T	7	10	40
2650 09 T12CB T	9	10	40
2650 12 T12CB T	12	10	40

Packaging:

in individual plastic bags, in a cardboard box