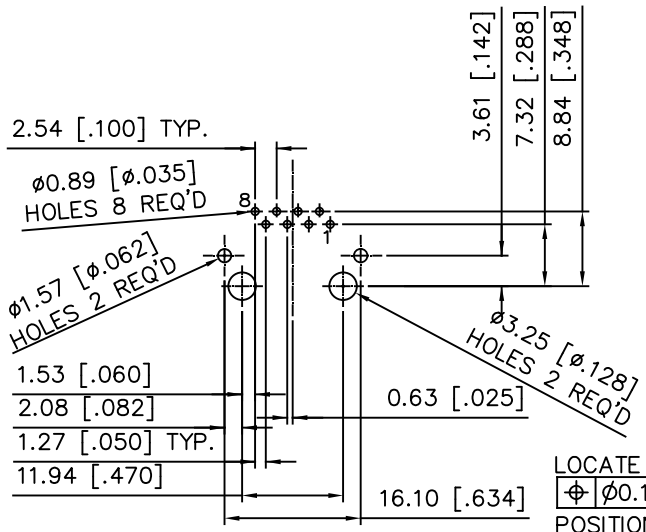
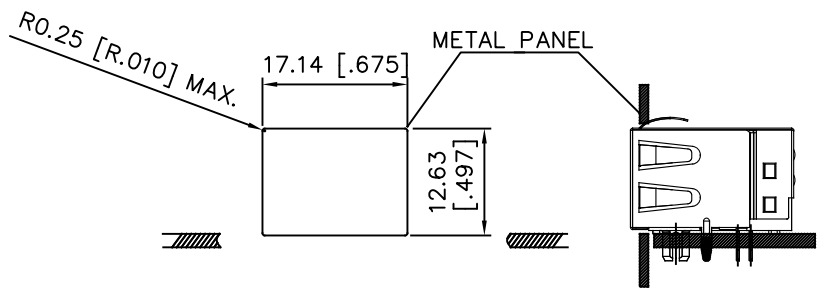
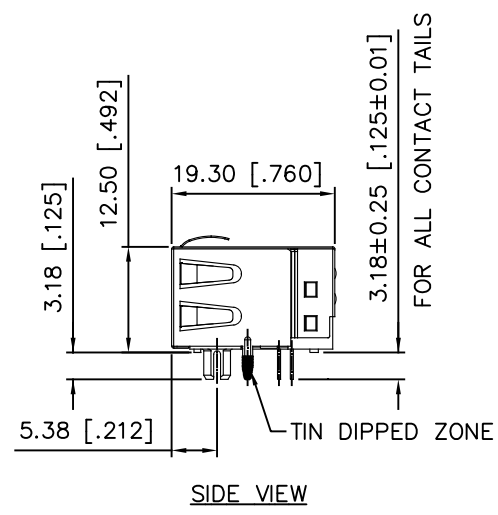
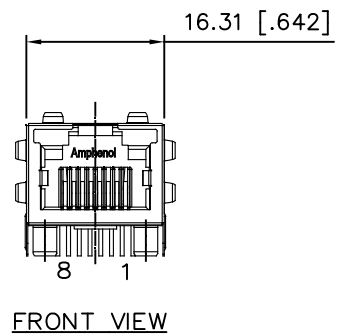


REVISIONS			
REV	DESCRIPTION, ECN, EAR NO.	DATE	APP'D
A	PROPOSAL DRAWING	MAY17/18	L.CHAN



LOCATE HOLES
 $\varnothing \phi 0.13 [0.005]$
 POSITION DIMENSIONS
 ARE BASIC

- MATERIALS
 - HOUSING: ENGINEERING THERMOPLASTIC; FLAMMABILITY RATING UL 94V-0, COLOUR: BLACK.
 - CONTACTS: PHOSPHOR BRONZE
 PLATING: SELECTIVE GOLD PLATING ON MATING SURFACES
 SEE AMPHENOL PART NUMBER FOR DETAIL.
 50u" [1.27 MICRONS] MIN. NICKEL UNDERPLATE
 100u" [2.54 MICRONS] MIN. MATTE TIN ON CONTACT TAILS.
 - SHIELD: STAINLESS STEEL WITH TIN DIP ON SOLDER TAIL
- RECOMMENDED SOLDERING TEMPERATURE:
 WAVE SOLDERING AT 260° C MAXIMUM FOR 5 SEC MAXIMUM.
- AMPHENOL PART NUMBER: RJE37-188-1X00
 GOLD PLATING OPTION
 1=GOLD FLASH
 2=6u" GOLD PLATING
 3=15u" GOLD PLATING
 4=30u" GOLD PLATING
 5=50u" GOLD PLATING

UNLESS SPECIFIED OTHERWISE	DRAWN	AMY.Z	MAY17/18
PRIMARY UNITS MILLIMETERS	CHECKED	L.Chan	MAY17/18
SECONDARY INCHES	M.E. APP'D		
REFERENCE IN PARENTHESES	Q.A. APP'D		
GENERAL TOLERANCES FOR MM	DWG APP'D		
1 DECIMAL PLACE ±0.40	ENG. REL. NO.		
2 DECIMAL PLACE ±0.30	REF.		
3 DECIMAL PLACE ±0.25			
ANGULAR DEGREES ±1.5°	THIRD ANGLE PROJECTION		

Amphenol Canada Corp. www.amphenolcanada.com	
SINGLE PORT MODULAR JACK, LOW PROFILE, 8 POSITION, 8 CONTACTS, SHIELDED, WITHOUT LED -RoHS COMPLIANT.	
DWG NO.	P-RJE37-188-1X00
CODE ID NO. 03554	DWG SIZE: C SCALE: N/A SHEET 1 OF 1