

RoHS
Compliant



Description

This fuse holder is specially designed for use with DC fuses in automotive equipment and road vehicles. It works with ADLER AEP / AEY / AEL vehicle fuse links. The holder is built with special automotive grade materials to withstand high fault currents, vibration and temperatures.

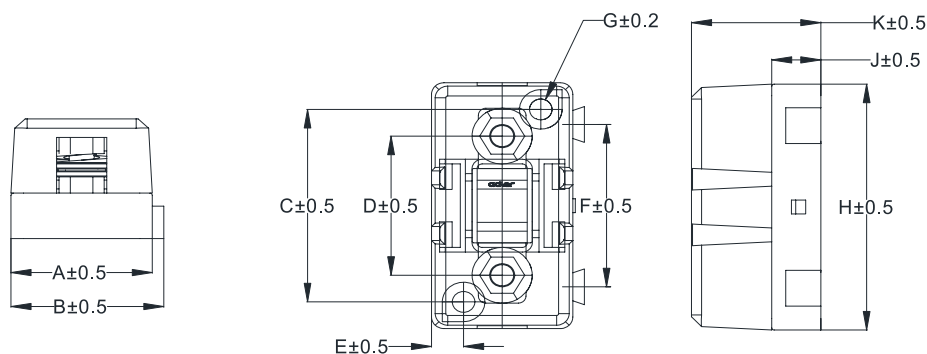
Agency Information

- Base Material: PA+GF UL94V0
- Operation Temperature: -40°C to 125°C
- Bolt Material: Stainless Steel

Part Number	Applicable Products	Max. Voltage	Max. Current	Max. Torque	Bolt Size
MP011367	AEL	120V DC	800A	19N.m	M10
MP011368	AEY	100V DC	500A	12N.m	M8
MP011369	AEP	65V DC	200A	3.5N.m	M5

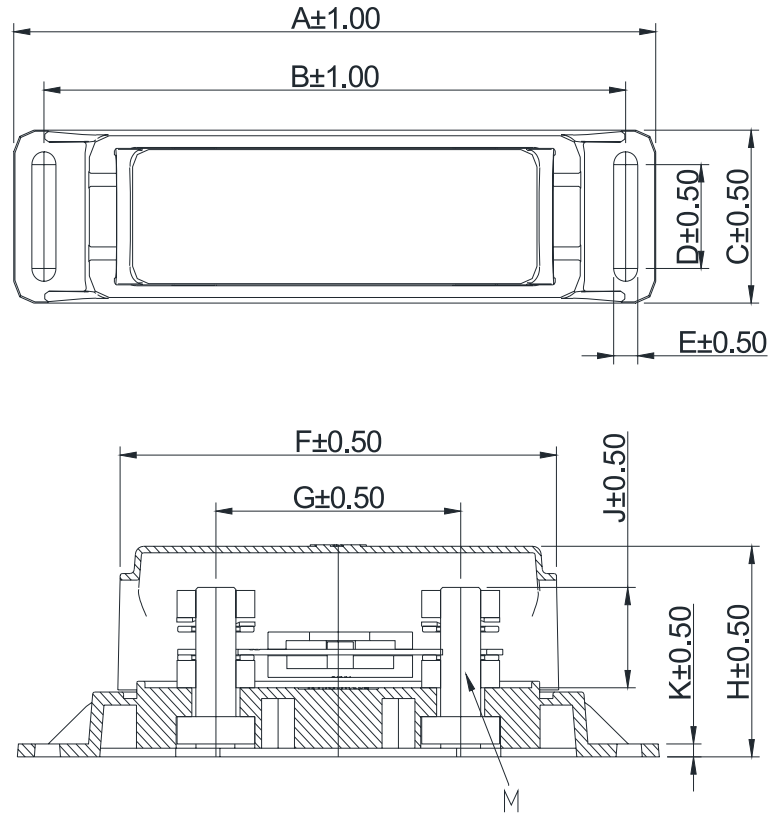
Diagram

AEP USE



Dimensions : Millimetres

AEY and AEL USE



Part Number	A	B	C	D	E	F	G	H	J	K	M
MP011367	160	145	40	24	6	108.7	61	48.7	25	3	M10
MP011368							50.9				M8
MP011369	28.2	30.5	41.5	30	6.4	35	Φ4.5	53	9.8	25.8	M5

Part Number Table

Description	Part Number
Fuse Holder, AEL, M10 Bolt, 120V	MP011367
Fuse Holder, AEY, M8 Bolt, 100V	MP011368
Fuse Holder, AEP, M5 Bolt, 65V	MP011369

Important Notice : This data sheet and its contents (the "Information") belong to the members of the AVNET group of companies (the "Group") or are licensed to it. No licence is granted for the use of it other than for information purposes in connection with the products to which it relates. No licence of any intellectual property rights is granted. The Information is subject to change without notice and replaces all data sheets previously supplied. The Information supplied is believed to be accurate but the Group assumes no responsibility for its accuracy or completeness, any error in or omission from it or for any use made of it. Users of this data sheet should check for themselves the Information and the suitability of the products for their purpose and not make any assumptions based on information included or omitted. Liability for loss or damage resulting from any reliance on the Information or use of it (including liability resulting from negligence or where the Group was aware of the possibility of such loss or damage arising) is excluded. This will not operate to limit or restrict the Group's liability for death or personal injury resulting from its negligence. Multicomp Pro is the registered trademark of Premier Farnell Limited 2019.