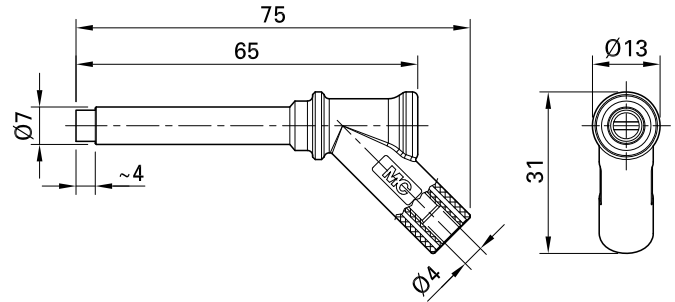
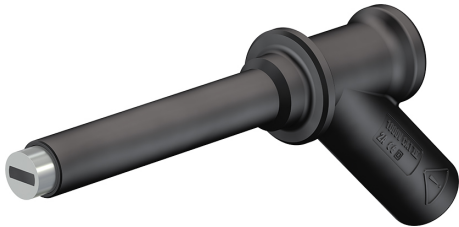


# XMA-7L



Item number 66.9509-\*

For connection of screw heads with rigid Ø 4 mm socket in insulator, suitable for mating with spring-loaded Ø 4 mm plugs with rigid insulating sleeve.

Technical data	
Diameter of plug system	4 mm
Rated Values	1000 V, CAT IV, 2 A
Surface treatment electrical contact	Ni
Standard color(s) *	21 22 23
Diameter magnet	7.0 mm
Test accessory acc. to	IEC EN 61010-031
User-Information	I 500
Approvals	CE