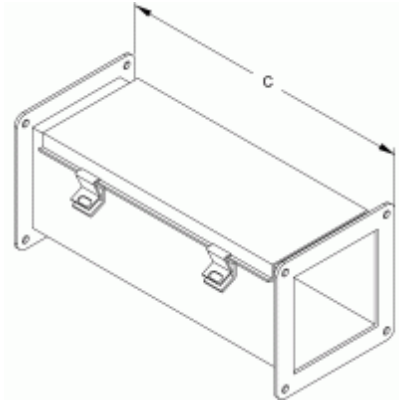




Quality Products. Service Excellence.

Typical Straight Section 1487 S Series



	2.5 x 2.5	4 x 4	6 x 6	8 x 8
Description	Part No.	Part No.	Part No.	Part No.
12" Section	1487B12	1487C12	1487D12	1487E12
24" Section	1487B24	1487C24	1487D24	1487E24
36" Section	1487B36	1487C36	1487D36	1487E36
48" Section	1487B48	1487C48	1487D48	1487E48
60" Section	1487B60	1487C60	1487D60	1487E60
120" Section	1487B120	1487C120	1487D120	1487E120

Data subject to change without notice



© 2023. Hammond Manufacturing Ltd. All rights reserved.