

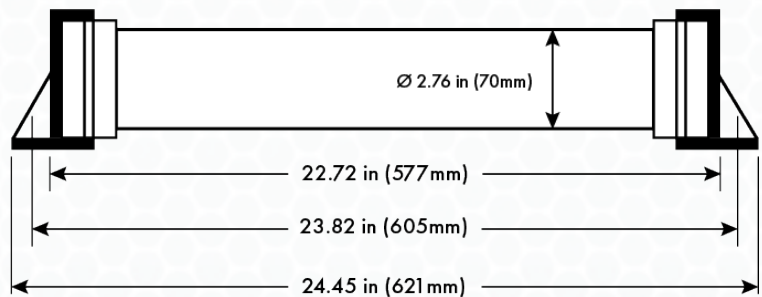
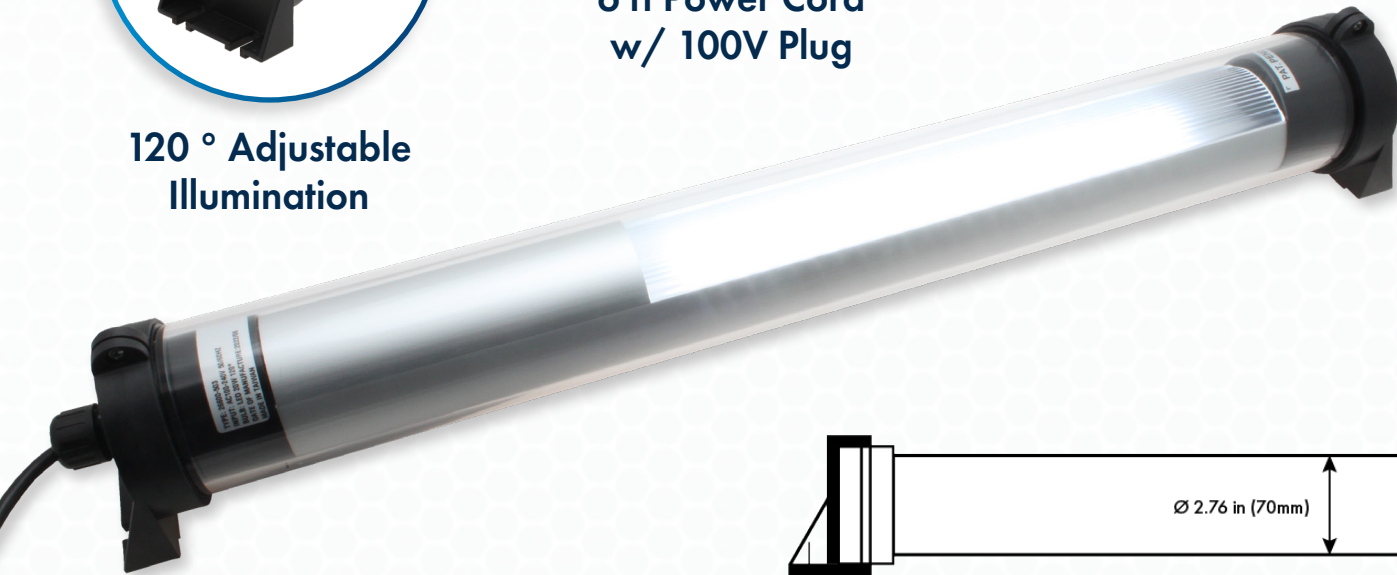


**120 ° Adjustable
Illumination**



**6 ft Power Cord
w/ 100V Plug**

High Brightness 20 Watt LEDs	Crack Resistant Durable acrylic diffuser lens	IP67 Rated Sealed to keep out fluids, chips & shavings	Angle Light 0° - 120° Adjustable mounting bracket
---	--	--	---



Machine Light

Tubular LED Machine Light 20 Watt 22.72 in (577mm)

Aven's LED machine lights are designed to provide even, ultra high brightness and a wide illumination angle for use with machining centers, semiconductor manufacturing equipment, workshops, clean rooms etc. This Tubular LED Machine Light is 22.72 in (577mm) in length with a diameter of 2.76 in (70mm). The LED lights provide 40,000 hours of life. The acrylic diffuser lens is crack resistant and provides even light distribution. The machine light is IP67 rated and comes with a mounting bracket with hardware and a 6ft cable with 110V plug.

Key Features

- Long life LEDs (40,000 hours)
- Illuminance: 520 lux at 47 inches (1.2 meters)
- Wide illumination angle
- IP67 rated
- Sealed to keep out fluids, chips and shavings
- Crack resistant durable acrylic diffuser lens
- Built-in Ballast

Machine Light	
Tubular LED Machine Light 20 Watt 22.72 in (577mm)	
Item #	26600-503
Input Voltage	AC100-240V 50/60 HZ
LED Watts	20 watts
Illuminance	520 lux at 47 in (1.2meters)
Color Temperature	5700K
Illumination Angle	0° - 120° Degrees
Rating	IP67
Lens Type	Acrylic
Cable Length	6 ft with 110V Plug
Operating Temperature Range	-30°C to +40°C -22°F to +104°F
Package Contents	<ul style="list-style-type: none"> • Machine Light • Mounting Bracket w/ Hardware • 6ft cable w/ 110V plug