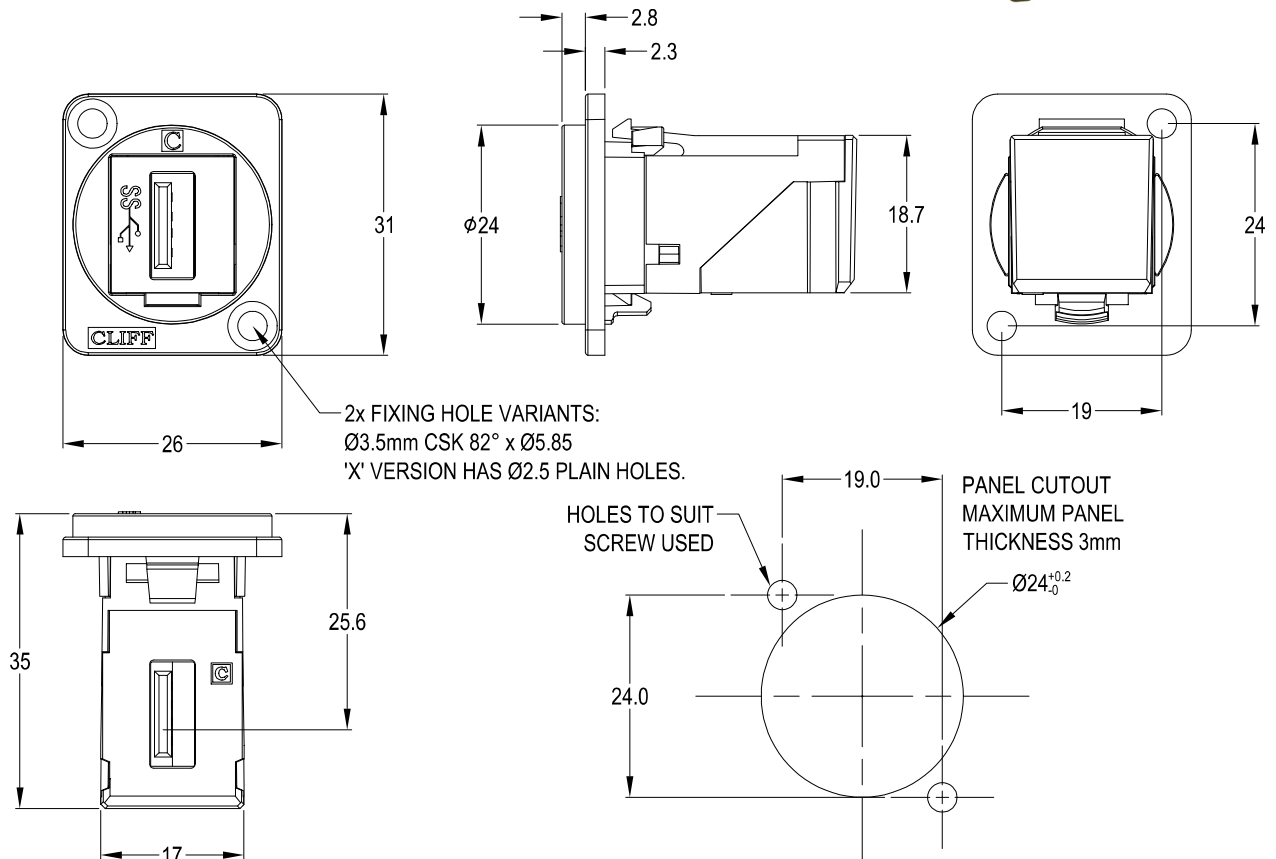


# CLIFF

## USB3 A-A RIGHT ANGLE FEEDTHROUGH CONNECTOR (RAFT)



### VARIANTS

#### Part No.

**CP30255** RAFT USB3 A-A Black plastic frame, CSK holes

**CP30255X** RAFT USB3 A-A Black plastic frame, 2.5mm PLAIN

#### Feedthrough Features

- Fits standard XLR Ø24mm cutout.
- No soldering or punch termination. Use standard cable for each connector style.
- Front or rear mounted.
- Low rear profile
- 90° or right angle rear cable entry.

#### General:

Please note: Functionality is affected by cable quality, length and cable wiring configuration.

#### Material:

1. Keystone Body: ABS UL94 V2
2. USB (Blue): UL94 V-0
3. FT Frame: Polyamide UL94 V-2
4. Shell: Nickel plated Copper Alloy
5. Contacts: Gold Plated Copper Alloy

#### Performance:

1. Voltage rating: 30V AC
2. Current rating: 1.5A max
3. Contact resistance: 30mΩ max
4. Insulation resistance: 100MΩ min
5. Dielectric withstanding voltage: 500V AC
6. Operating Temperature: -20°C to 50°C