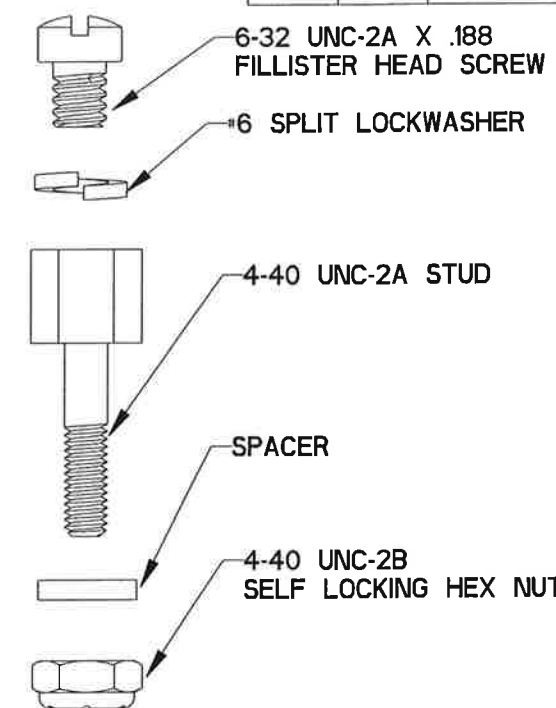
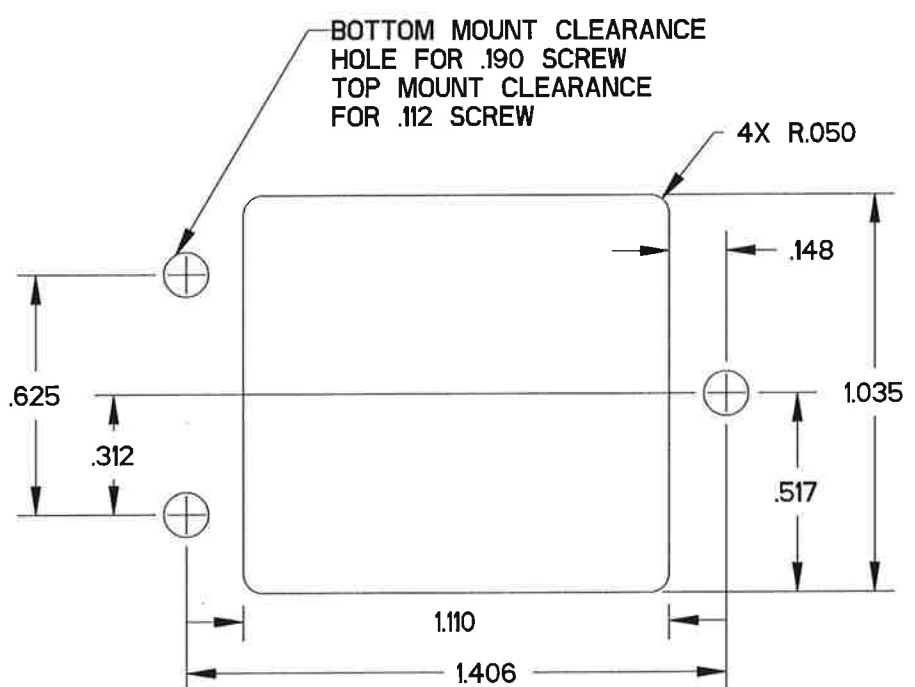
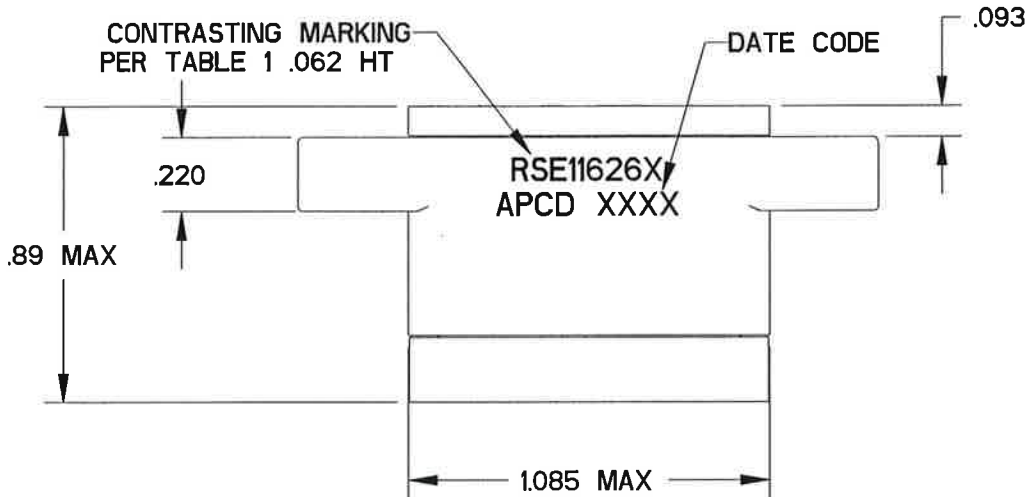
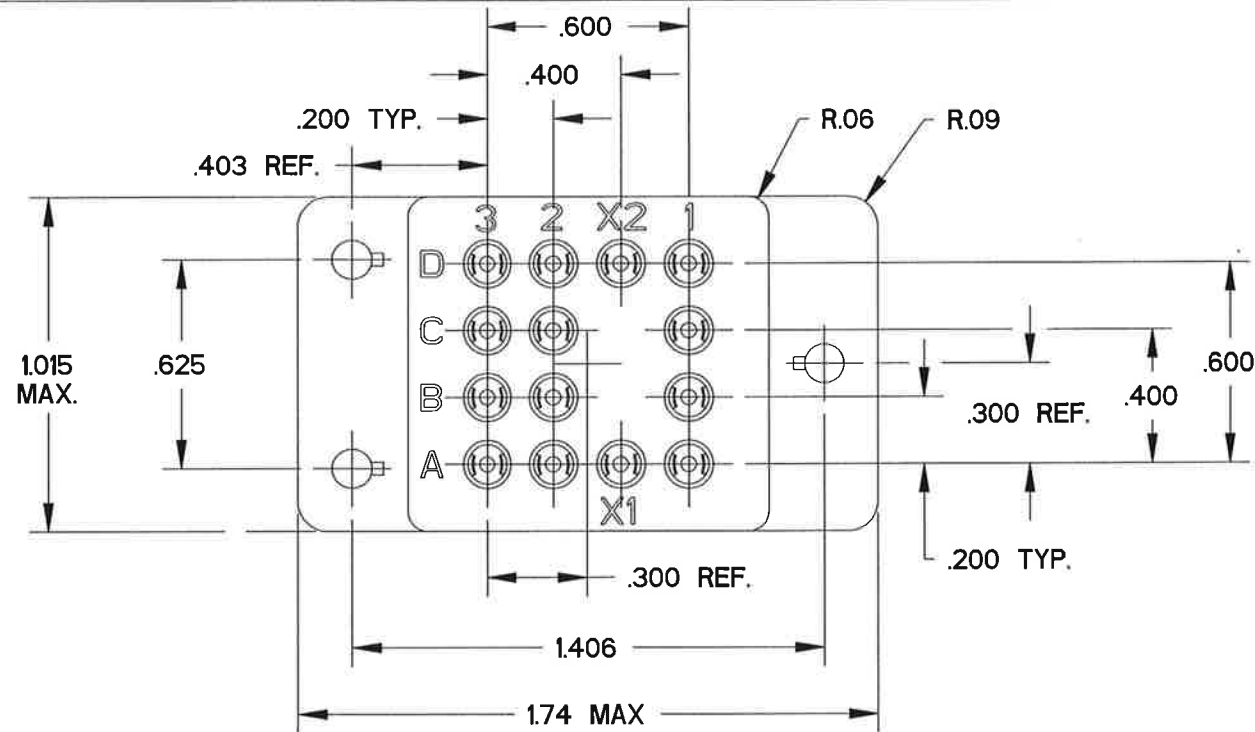
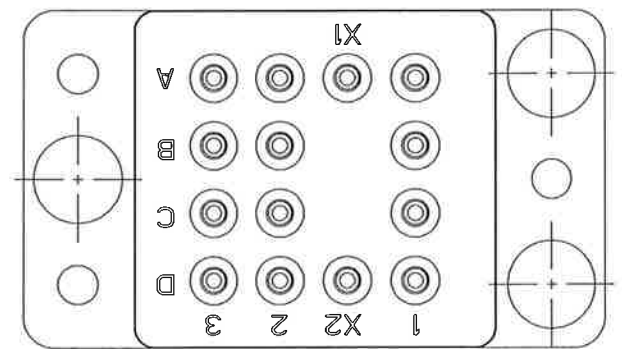


REV	ECN	APP'D
J	8428	wl 10/11/18



MOUNTING HARDWARE, 3X

- NOTES:
- CONFORMS TO PERFORMANCE REQUIREMENTS OF MIL-PRF-12883
  - MATERIALS:  
 SOCKET BODY: POLYETHERIMIDE PER MIL-P-46184  
 GROMMET: SILICONE RUBBER PER ZZ-R-765  
 HARDWARE: CRES STEEL AND CADMIUM CHROMATE FINISH.  
 CONTACT RETAINERS: BERYLLIUM COPPER  
 SOCKET CONTACTS: COPPER ALLOY, HARD COLD PLATED PER MIL-G-45204
  - OPERATING RANGE:  
 TEMPERATURE: -65°C TO 125°C  
 INSULATION RESISTANCE: 1000 MΩ MI.  
 DIELECTRIC WITHSTANDING VOLTAGE:  
 1500 VRMS AT SEA LEVEL,  
 500 VRMS AT 80,000 FT. ALTITUDE  
 VIBRATION: MIL-STD-202, METHOD 204,  
 TEST CONDITION G  
 SHOCK: MIL-STD-202, METHOD 213  
 TEST CONDITION C
  - PART SUPPLIED WITH MOUNTING HARDWARE.
  - PART SUPPLIED WITH CONTACTS PER TABLE.



PART NO.	CONTACTS SUPPLIED	MARKING
RSE116260	NONE	RSE116260
RSE116261	(14) M39029/92-533	RSE116261
RSE116262	(14) M39029/92-534	RSE116262

DIMENSIONS	TOLERANCES	PROJECTION
ANSI Y14.5M UNITS: INCHES Pro/E FILE	.XX ±0.01 .XXX ±0.005 ANGLES ±0.5°	

**Amphenol Pcd**  
CUSTOMER DRAWING

ENGR  
MAILOT GUERRERO 9/28/18

CHKD  
*[Signature]* 10/11/18

APPD  
*[Signature]* 10/11/18

TITLE		RELAY SOCKET, 14 POS, SIZE 16	
SIZE	CUSTOMER DWG NO.	REV	
B	RSE116260_C	J	
CODE: 58982	SCALE: 5:3	SHEET 1 OF 1	

ORIGINAL

THIS DOCUMENT CONTAINS PROPRIETARY INFORMATION WHICH IS THE CONFIDENTIAL PROPERTY OF AMPHENOL PCD INC., BEVERLY, MA

RSE116260\_C

RSE116260\_C