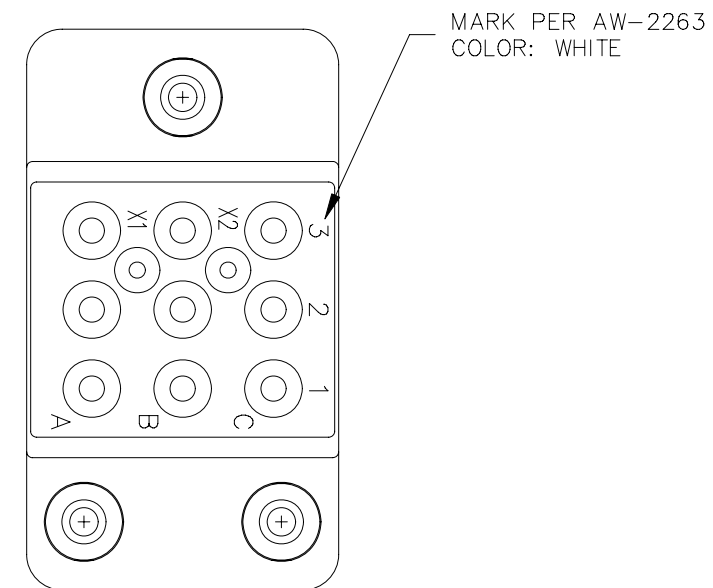
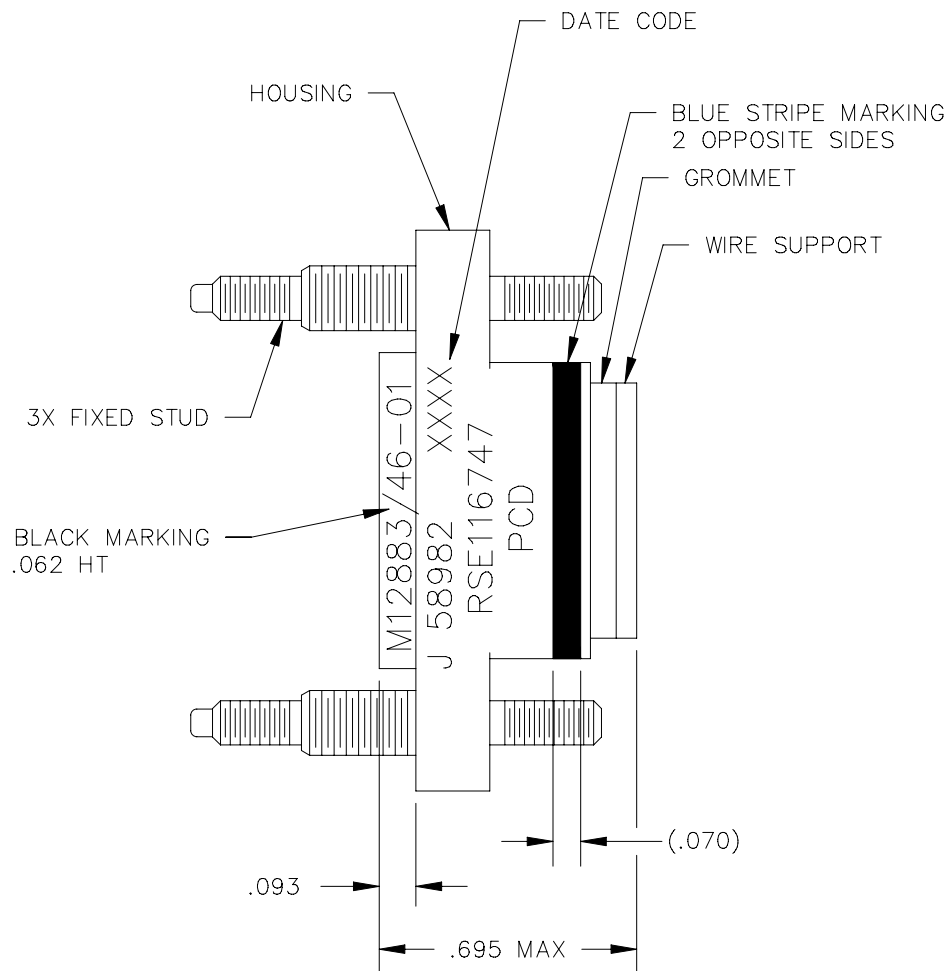
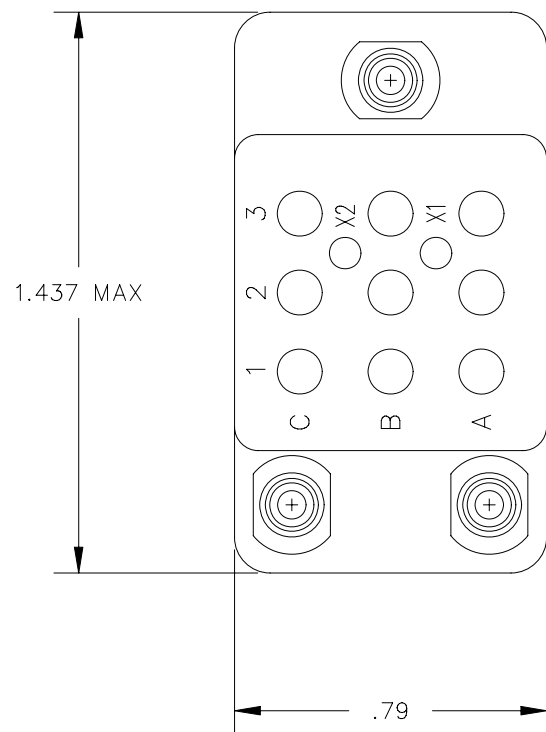


REV	ECN	DESCRIPTION	APP'D
F	2193	CHG FORMAT; ADD DD HOLES	GW 2/4/94
G	2410	ROTATE STUD ORIENTATION 90°; ADD "J" DESIGNATION TO MRKG	JR 5/30/95
H	4215	ADD ARTWORK DESIGNATION	



PART NO.	CONTACTS SUPPLIED	MARKING
RSE116746	NONE	
RSE116747	(9) SZ 16/16, (2) SZ 20/20	RSE116747

DIMENSIONS ANSI Y14.5M UNITS: INCHES CRITICAL: ◆	TOLERANCES .XX ±.01 .XXX ±.005 ANGLES ±2°	PROJECTION 	REFERENCE SPECIFICATION M12883/46-01			TITLE RELAY SOCKET 3 POLE	
			DRWN M. CALLA 8/5/93			SIZE B	DWG NO. RSE116746
ORIGINAL	THIS DOCUMENT CONTAINS PROPRIETARY INFORMATION WHICH IS THE CONFIDENTIAL PROPERTY OF PCD, INC. PEABODY, MA, USA			ENGR M. CALLA 8/5/93		APPD D. SWAFFIELD 8/5/93	
		CODE: 58982		SCALE: 2X		SHEET 1 OF 1	