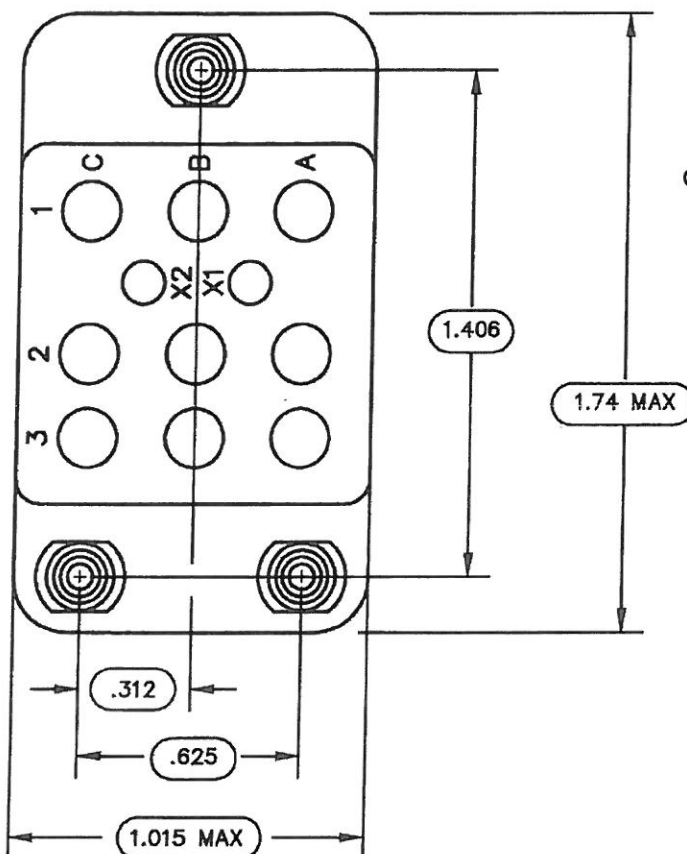
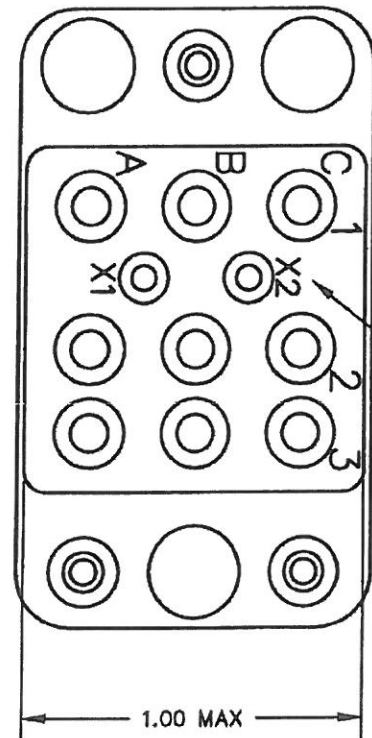
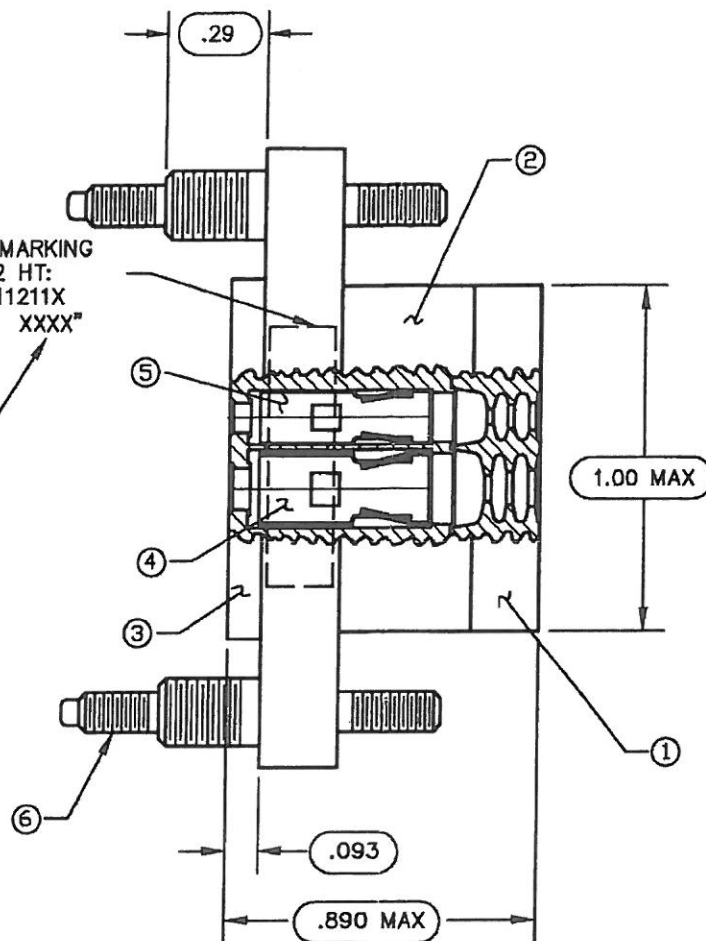


RSE112115

REV	ECN	DESCRIPTION	APP'D
G	2125	CHANGE STUDS	GW 9/14/93
H	2139	CORR. MIL NO.; .290 TO .290±.010	GW 10/29/93
J	2150	DELETE SPEC REF; CHG NOTE 3	GW 11/14/93
K	2202	CHG NOTES 1 - 4; ADD CONT. P/N's.	JR 2/15/94
L	2216	REVISED AND REDRAWN	JR 3/25/94
M	3025	ADD RELIEF CORING TO BOTTOM VIEW	JR 5/15/97
N	2949	ADD SILKSCREEN CALLOUT; REFORMAT	JR 11/30/98
P	3599	REV HDWR PKG TABLE	19 Feb 99



PART NO. PER TABLE OF CONTACTS SUPPLIED
 BLACK MARKING .062 HT: "RSE11211X PCD XXXX"
 DATE CODE (YRWK)



PART NO.	CONTACTS SUPPLIED		
	SZ 12/12 CNS128900	SZ 12/16 CNS129900	SZ 16/16 CNS126900
RSE112115	-	9	2
RSE112116	-	-	-
RSE112117	9	-	2

ITEM	P/N	DESCRIPTION	QTY
1	270003201	GROMMET; SILICONE ELASTOMER	1
2	220030210	BOTTOM HOUSING; POLYETHERIMIDE, COLOR: GREEN	1
3	220022300	TOP HOUSING; POLYETHERIMIDE, COLOR: GREEN	1
4	310001001	RETAINER CLIP SZ 12	9
5	310000901	RETAINER CLIP SZ 16	2
6	200002321	MOUNTING STUD	3

HARDWARE PACKAGE		
P/N	DESCRIPTION	QTY
200002801	#4 FLAT WASHER AN960C4L; CRES, PASSIVATED	6
200003820	#4-40 DRY-FILM LUBE SELF-LOCK NUT MS21042L04	6
200002901	#10 FLAT WASHER; CRES, PASSIVATED	3
200002501	.190-32 UNF-2A HEX LOCK NUT; STEEL, CAD PLATE	3

DIMENSIONS ANSI Y14.5M UNITS: INCHES ACAD FILE	TOLERANCES .XX ±.01 .XXX ±.005 ANGLES ±2°	PROJECTION 	REFERENCE SPECIFICATION REF M12883/48 CUSTOMER DWG ON FILE ENGR G. WILLIAMS III 9/14/93 CHKD APPD J. RUTKOWSKI 11/30 98	TITLE RELAY SOCKET SIZE 12 & 16 FIXED STUD
ORIGINAL NOT FOR CUSTOMER DISSEMINATION	THIS DOCUMENT CONTAINS PROPRIETARY INFORMATION WHICH IS THE CONFIDENTIAL PROPERTY OF PCD, INC. PEABODY, MA, USA		SIZE B	REV P
CODE: 58982		SCALE: 2X	SHEET 1 OF 1	

RSE112115

RSE112115