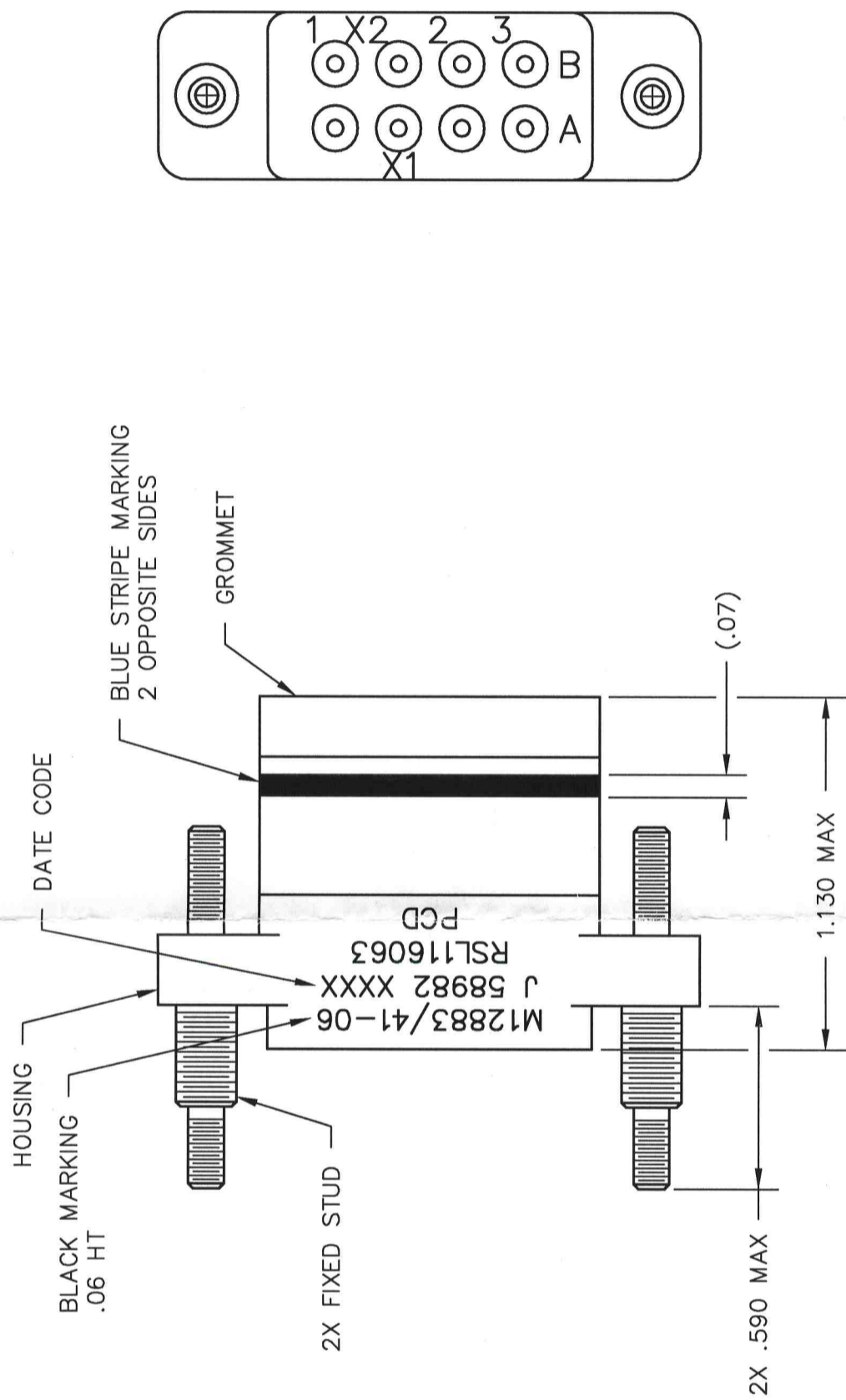


REV	ECN	DESCRIPTION	APP'D
F	2240	UPDATE FORMAT; ADD DD HOLES.	GW 4/17/94
G	2414	ADD "J" DESIGNATION	MM 01.00.95



PART NO.	CONTACTS SUPPLIED	MARKING
RSL116062	NONE	RSL116063
RSL116063	(8) SZ 16/16	

	TITLE	
	RELAY SOCKET 8 POS - SZ 16	
REFERENCE SPECIFICATION M12883/41-06 DRWN G. WILLIAMS III 4/12/94 ENGR M. CALLA 7/10/91 APPD D. SWAFFIELD 7/15/91	PROJECTION 	DIMENSIONS ANSI Y14.5M UNITS: INCHES CRITICAL: \blacklozenge
TOLERANCES .XX $\pm .01$.XXX $\pm .005$ ANGLES $\pm 2'$	THIS DOCUMENT CONTAINS PROPRIETARY INFORMATION WHICH IS THE CONFIDENTIAL PROPERTY OF PCD, INC. PEABODY, MA, USA	ORIGINAL
SIZE B	DWG NO. RSL116062	REV G
CODE: 58982	SCALE: 2X	SHEET 1 OF 1