



Mallory Sonalert Products, Inc.

Part #:

MSW5GM

Sales Outline Drawing

Revision:

A

Specifications:

**cUL Recognized to IEC60601-1-8 3rd Edition Amendment 2
Tables G.3 and G.5**

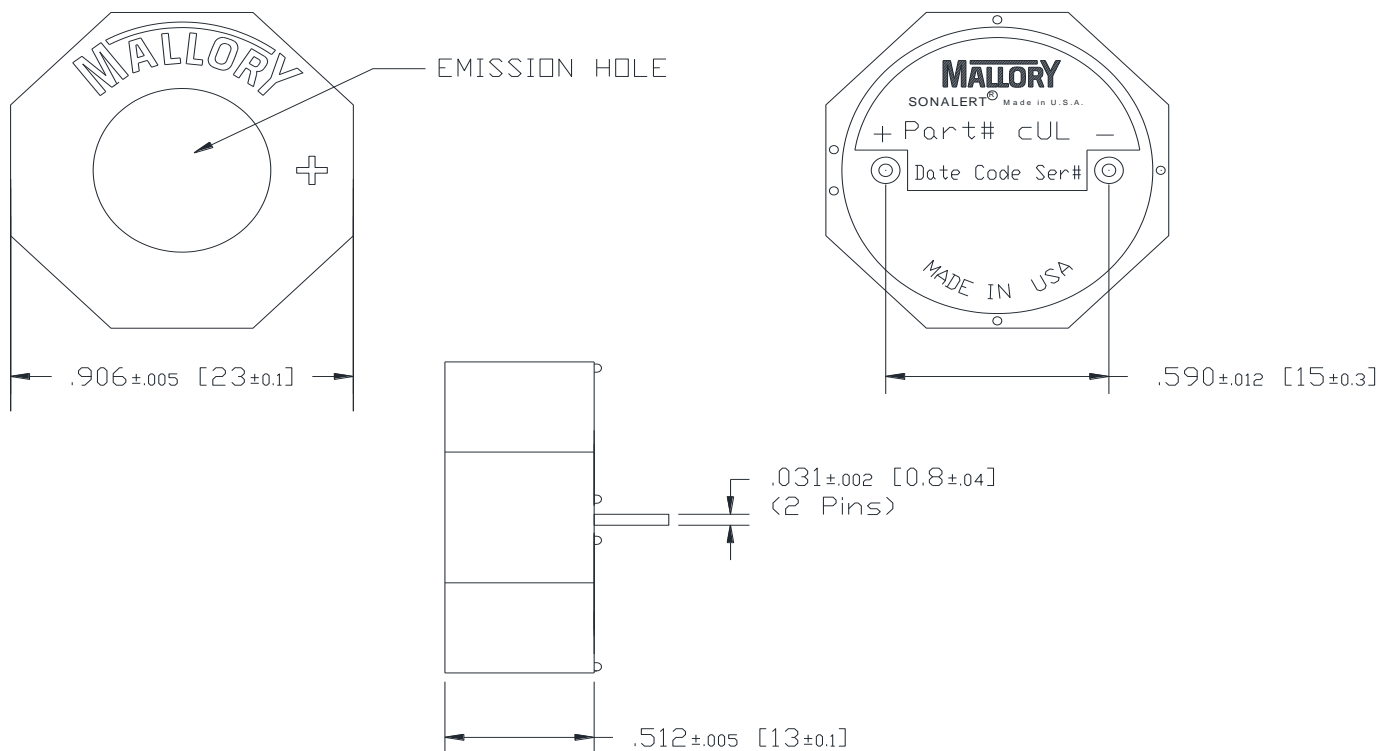
Sound Level Category:	
Mode of Operation:	
Voltage Rating:	2.7 - 5.5 VDC
Loudness @ 10cm:	85 to 95 dB(A) Typ.
Frequency:	
Average Current Draw:	
Ipk Current*:	400mA
Housing Material:	Valox (UL94V-0), Color: Black
Storage Temperature:	-30° to +60° C
Operating Temperature:	-30° to +55° C
Weight Typical:	6.0g
Options:	Please contact factory.

Dimensions: Inches (mm)

cUL Recognized

ROHS Compliant

PATENT NUMBER: 7880593



NOTE A:
TERMINALS - .031" DIA. NICKEL/TIN COATED BRASS.

NOTE B:
MOUNTING- INSERT INTO PRINTED CIRCUIT BOARD AND HAND OR MACHINE SOLDER.
UNITS ARE SUITABLE FOR WAVE SOLDERING. BOARDS ARE NOT SUITABLE FOR WASH.
RECOMMENDED MAXIMUM TEMPERATURE AND TIME DURATION FOR WAVE SOLDERING IS
+270°C AND 3 SECONDS RESPECTIVELY.

*Ipk = Instantaneous Peak