

RF Product Information

- RFDPA131000SBTB803 Series for 4G Application at 700 ~ 2700MHz

Application

- 700 ~ 2700MHz in Smart Home, Networking system and Conference system
- Device for external LTE system

Recommended Link Parts

RFCON161202SA6B001(On Board RF Connector)

RFCBA110609SA6B301(Connected To Module's Coaxial Cable)



ELECTRICAL CHARACTERISTICS

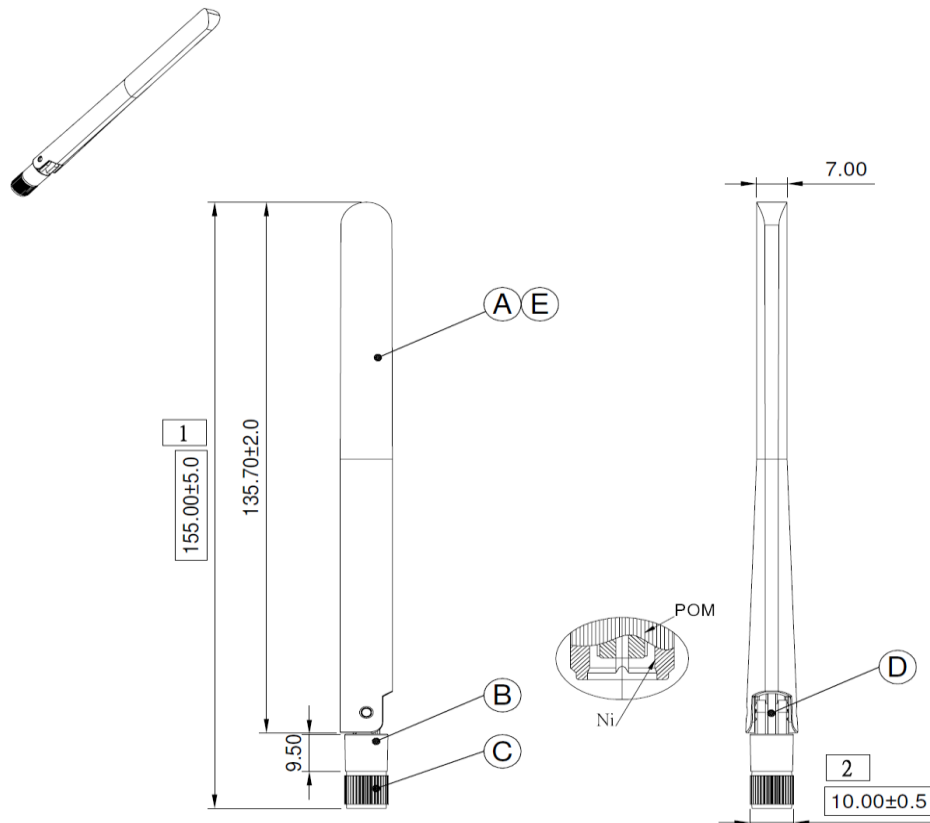
Item	Specification
Frequency Range	700 ~ 2700MHz
Impedance	50 Ohm Nominal
VSWR	3 Max.
Radiation	Omni-directional
Polarization	Linear Vertical
Admotted Power	1W

MATERIAL TABLE

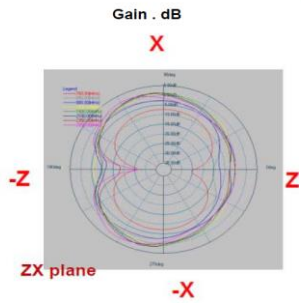
Item	Description
Antenna Cover	ABS(White)
Antenna Base	PC+PBT(White)
PCB	FR4
Connector	Reverse SMA Plug(Black)
Cable	RG178 Cable;Brown

ELECTRICAL

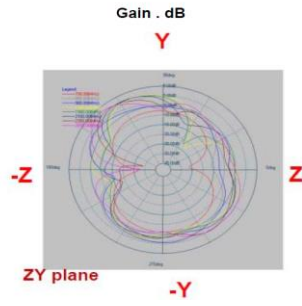
Frequency: 824~ 960 MHz
1710~2170 MHz
2300~2700 MHz



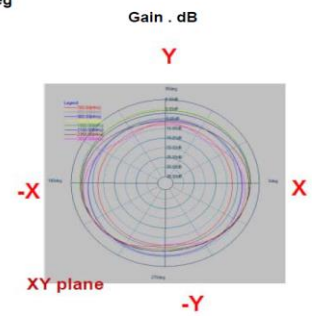
Phi=0.00deg



Phi=90.00deg



Theta=90.00deg



INFORMATION

For more information, please contact with

[Walsin Technology Corporation](http://www.walsin.com)

Tel : 886-3-475-8711

Fax : 886-3-475-5197

E mail : info@passivecomponent.com

Web Site : <http://www.passivecomponent.com>