

**RF Product Information**

■RFDPA131000SBUB802 Series for UHF Application at 433MHz

**Application**

- UHF 433MHz in smart meter, industrial data acquisition system and door control system
- Device for external UHF system

**Recommended Link Parts**

RFCON161202SA6B001(On Board RF Connector)  
RFCBA110609SA6B301(Connected To Module's Coaxial Cable)



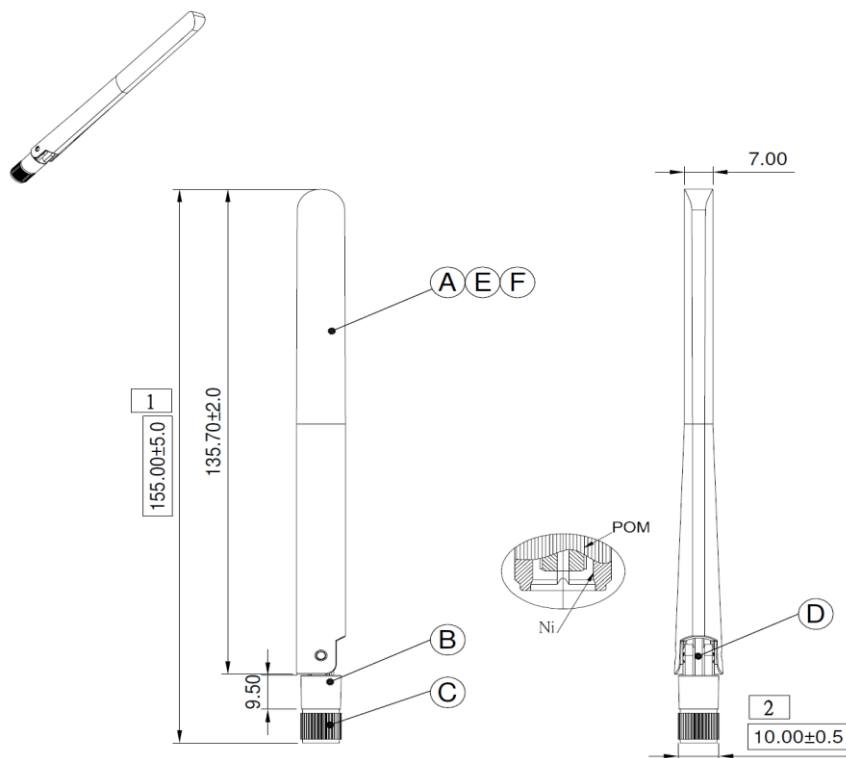
**ELECTRICAL CHARACTERISTICS**

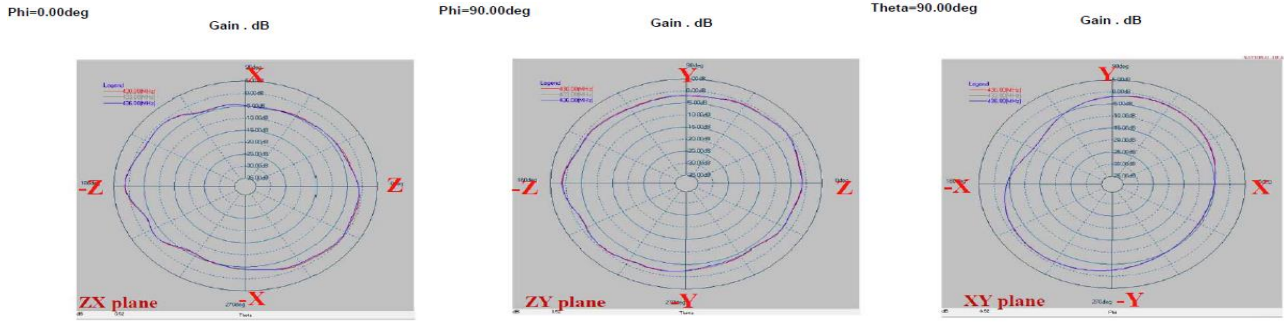
Item	Specification
Frequency Range	433MHz
Impedance	50 Ohm Nominal
VSWR	2 Max.
Radiation	Omni-directional
Polarization	Linear Vertical
Admotted Power	1W

**MATERIAL TABLE**

Item	Description
Antenna Cover	ABS(Black)
Antenna Base	PC+PBT(Black)
Connector	Reverse SMA Plug(Black)
PCB	FR4
Sponge	Black
Cable	RG178 Cable;Brown

ELECTRICAL  
Frequency: 433 MHz





### INFORMATION

For more information, please contact with  
[Walsin Technology Corporation](http://www.walsin.com)  
Tel : 886-3-475-8711  
Fax : 886-3-475-5197  
E mail : [info@passivecomponent.com](mailto:info@passivecomponent.com)  
Web Site : <http://www.passivecomponent.com>