

**RF Product Information**

■RFDPA141300SBLB801 Series for WIFI Application at 2.4/5.8GHz

**Application**

- 2.4/5.8GHz in Smart Home, Networking system and Lighting control system
- Device for external WIFI system

**Recommended Link Parts**

RFCON161202SA6B001(On Board RF Connector)  
RFCBA110609SA6B301(Connected To Module's Coaxial Cable)



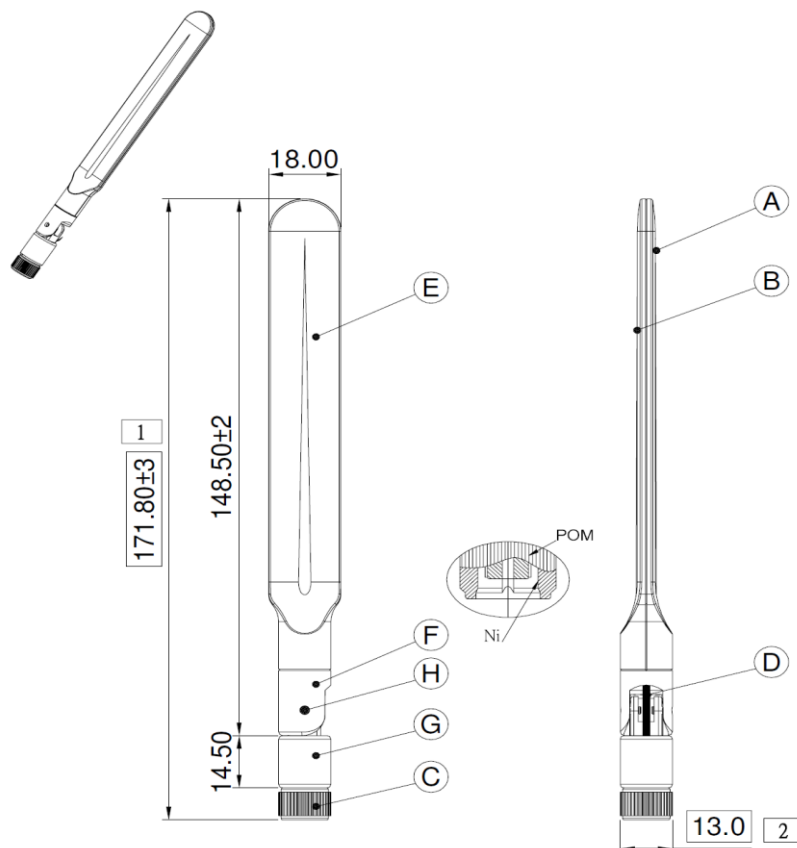
**ELECTRICAL CHARACTERISTICS**

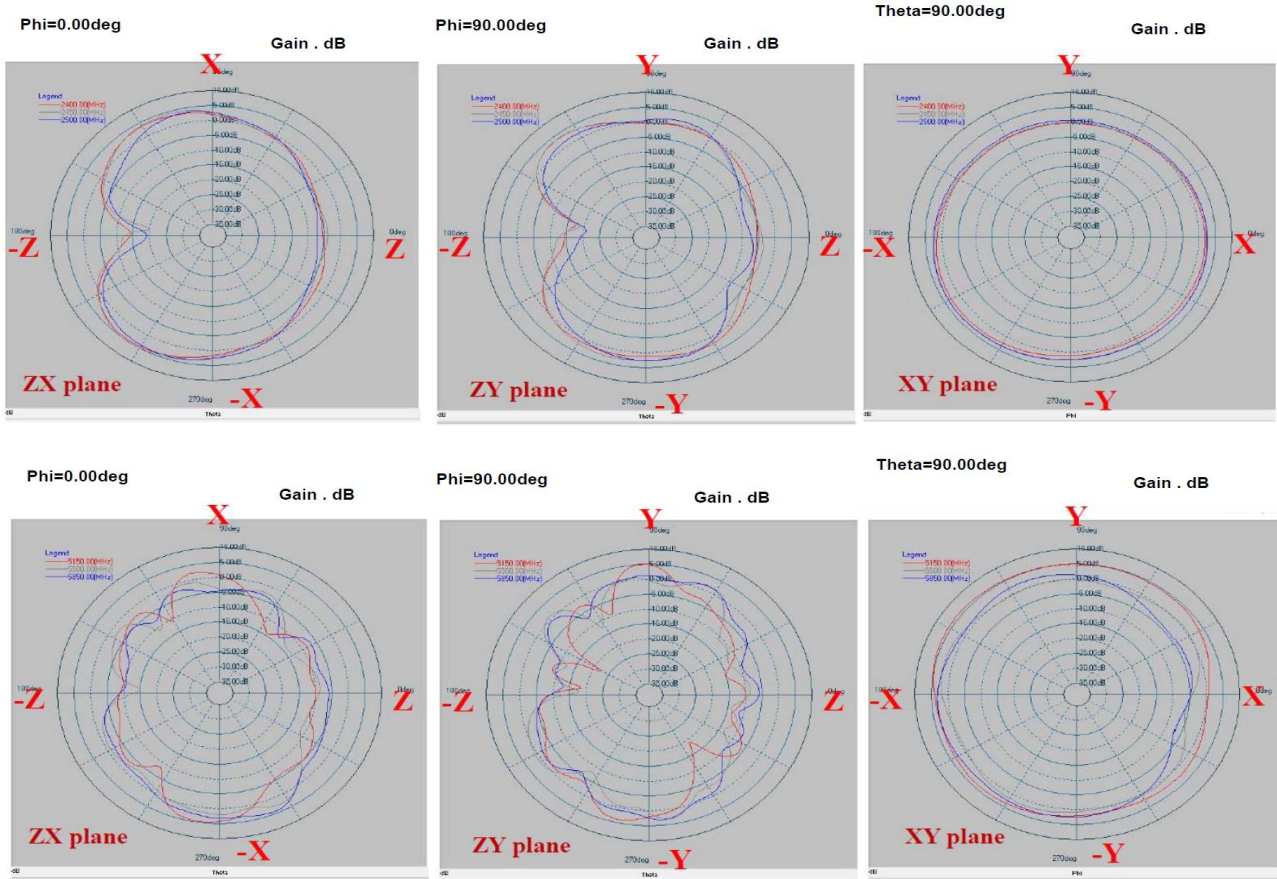
Item	Specification
Frequency Range	2.4~2.5 / 5.15~5.85GHz
Impedance	50 Ohm Nominal
VSWR	2 Max.
Radiation	Omni-directional
Polarization	Linear Vertical
Admotted Power	1W

**MATERIAL TABLE**

Item	Description
Antenna Cover	ABS+PC(Black)
Antenna Up Base	PC(Black)
Antenna Down Base	ABS+PC(Black)
Rivet	POM(Black)
PCB	FR4
Connector	Reverse SMA Plug(Black)
Cable	ψ 1.37 Cable;Black

ELECTRICAL  
Frequency: 2.4/5. x GHz





**INFORMATION**

For more information, please contact with  
[Walsin Technology Corporation](http://www.walsin.com)  
 Tel : 886-3-475-8711  
 Fax : 886-3-475-5197  
 E mail : info@passivecomponent.com  
 Web Site : http://www.passivecomponent.com