

RF Product Information

- RFDPA191300SMBB801 Series for UHF Application at 840~868 MHz

Application

- UHF 840~868 MHz in smart meter, industrial data acquisition system and door control system
- Device for external UHF system

Recommended Link Parts

RFCON161202SF6B001(On Board RF Connector)
RFCBA100608SF6B310(Connected To Module's Coaxial Cable)



ELECTRICAL CHARACTERISTICS

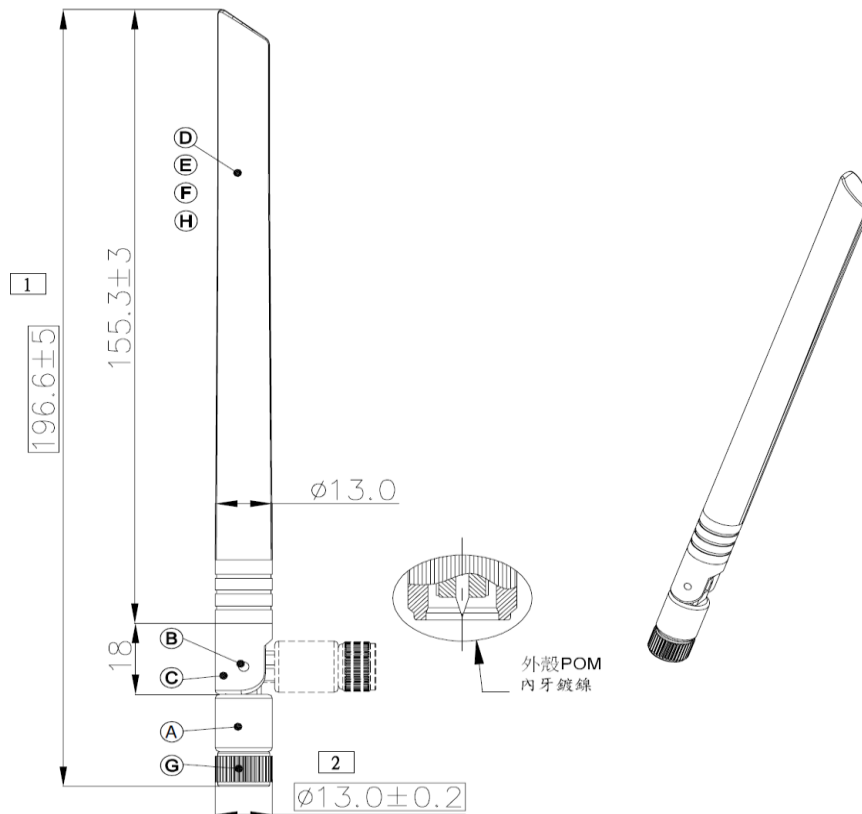
Item	Specification
Frequency Range	840~868 MHz
Impedance	50 Ohm Nominal
VSWR	2 Max.
Radiation	Omni-directional
Polarization	Linear Vertical
Admotted Power	1W

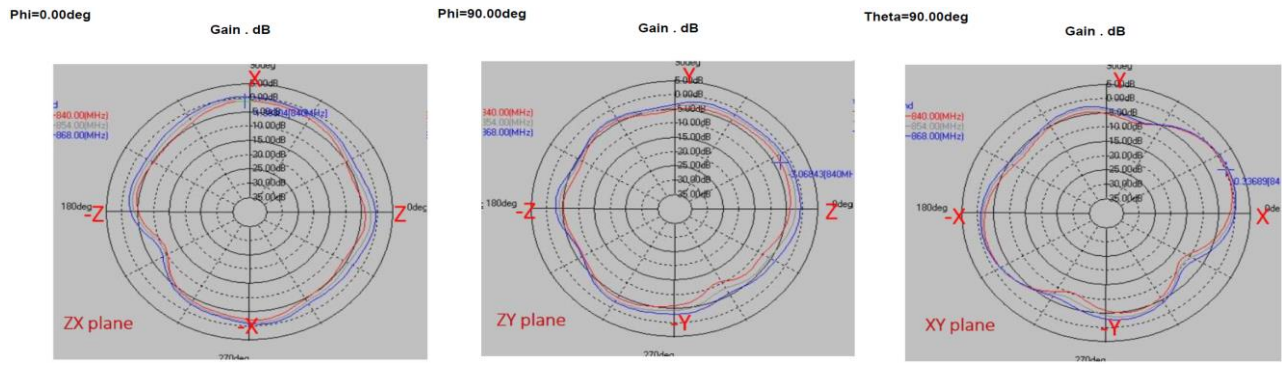
MATERIAL TABLE

Item	Description
Antenna Cover	TPEE(Black)
Antenna Down Base	PC+PBT(Black)
Antenna Up Base	PC(Black)
Rivet	POM(Black)
Connector	SMA Plug(Black)
PCB	FR4
Sponge	Black
Cable	RG178 Cable;Brown

ELECTRICAL

Frequency : 840 ~ 868 MHz





INFORMATION

For more information, please contact with
[Walsin Technology Corporation](http://www.walsin.com)
 Tel : 886-3-475-8711
 Fax : 886-3-475-5197
 E mail : info@passivecomponent.com
 Web Site : http://www.passivecomponent.com