

SEARCH KEYWORD, PART NUMBER

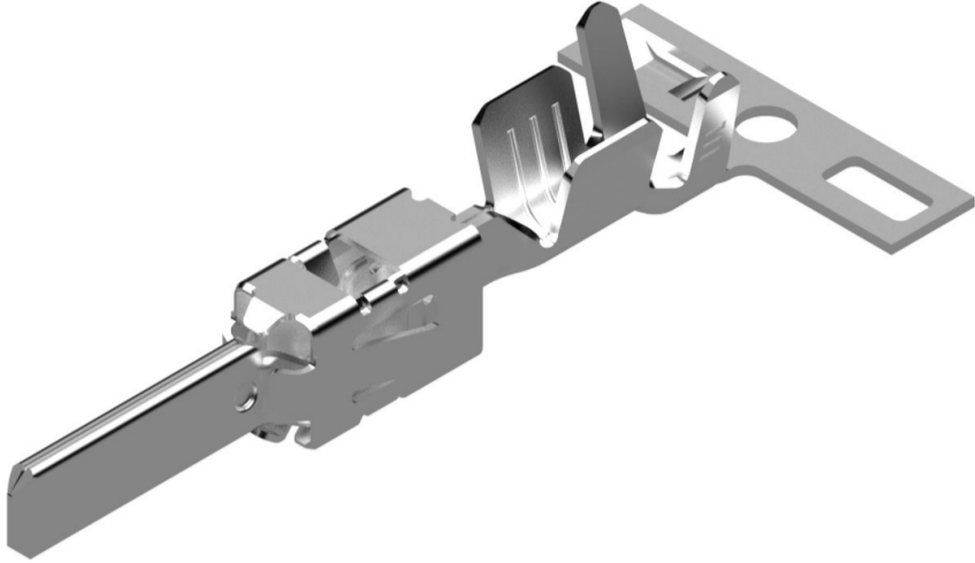


Part Number: 10756896

Product Name: [APCS 2.8 Locking Lance Unsealed Series](#)

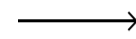
Old/Legacy Part Number: 60110641

DCS 2.8 Locking Lance Unsealed Terminal

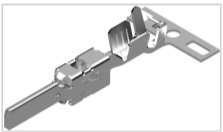


This part is not currently offered in our sample program.

[SEND REQUEST](#)



Request this part be added to the sample program.



## Attributes

Product Family APCS	Cable Diameter (mm) - Maximum 3
Product Series 2.8 Locking Lance Unsealed Series	Net Weight 1Piece (g) 0.591364
Gender Male	Blade Size (mm) 2.8
Sealing Unsealed	Plating SN
Cable Cross Section (mm) - Minimum 1	Locking Mechanism LOCKING LANCE
Cable Cross Section (mm) - Maximum 2.5	
Cable Diameter (mm) - Minimum 2.2	