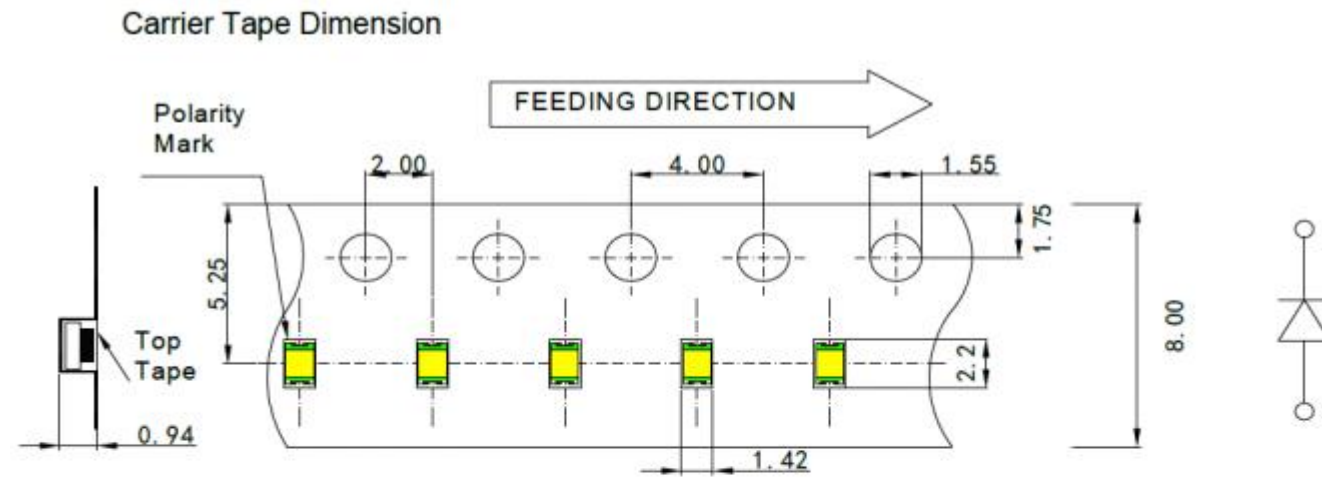
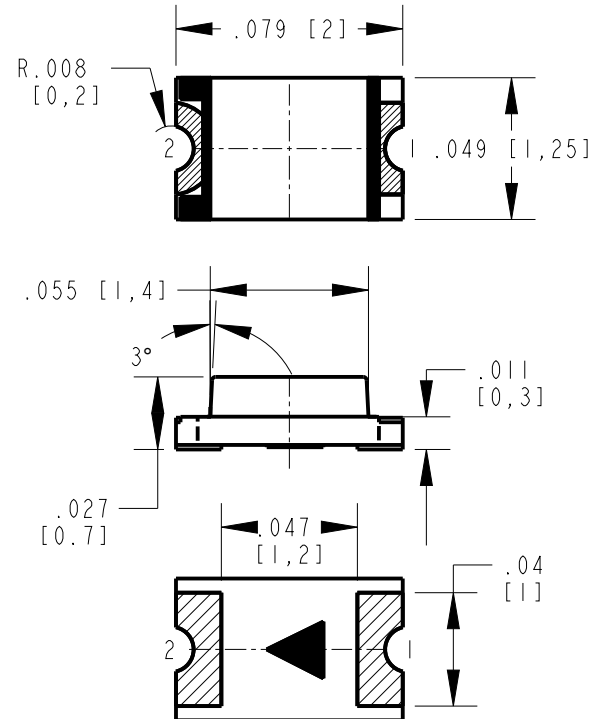


DIALIGHT PART NO.	LED COLOR (mcd)
598-2102-107F	WHITE (63-350)
598-2102-102F	(X=0.27, Y=0.27)
598-2103-107F	WHITE (150-700)
598-2103-102F	(X=0.27, Y=0.25)

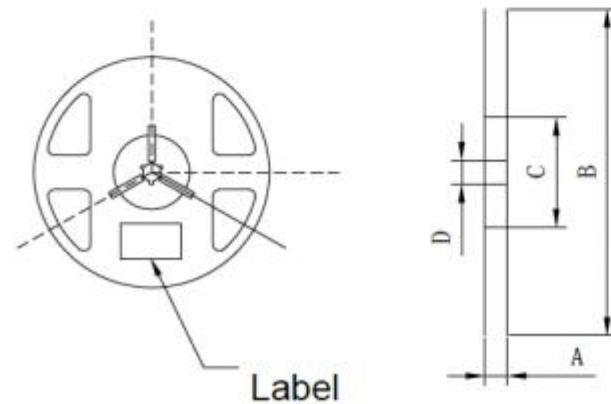
- NOTES:
- PIN NUMBERS ARE FOR REFERENCE ONLY, DESIGNATION NON-EXISTENT ON PART.
 - LABELING FOR REEL AND OUTSIDE OF ALUMINUM BAG, DIALIGHT P/N, QUANTITY PER REEL, DATE CODE, INTENSITY BIN CODE, LOT NUMBER AND COUNTRY OF ORIGIN.
 - THIS PRODUCT IS RoHS COMPLIANT. EACH BAG IS TO BE MARKED WITH RoHS COMPLIANT LABEL OR EQUIVALENT MARKINGS. LED MUST BE Pb FREE.
 - MOISTURE SENSITIVITY LEVEL 3.
 - QUANTITY : PART NUMBERS END WITH 107F REFER AS 4000 PCS/ REEL
PART NUMBERS END WITH 102F REFER AS 20 PCS/ STRIP

REV	ECN NO	REVISIONS	DRN	CKD	APP	DATE
A	106183	NEW RELEASE	JSG	CS	NO	31MAY23



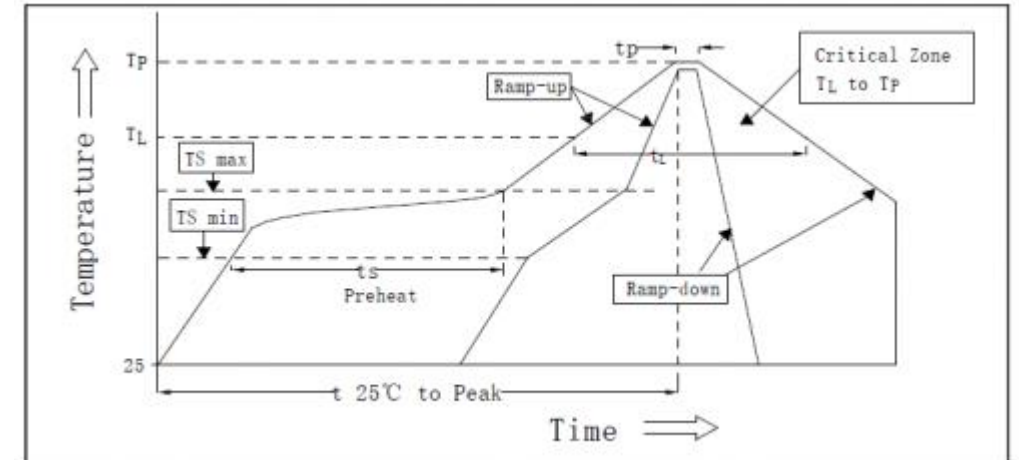
TOLERANCE (UNLESS OTHERWISE SPECIFIED): $\pm 0.003 (\pm 0.1 \text{mm})$

Reel Dimension

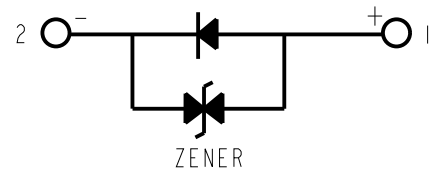


A	8.0 ± 0.1mm
B	178 ± 1mm
C	60 ± 1mm
D	13.0 ± 0.5mm

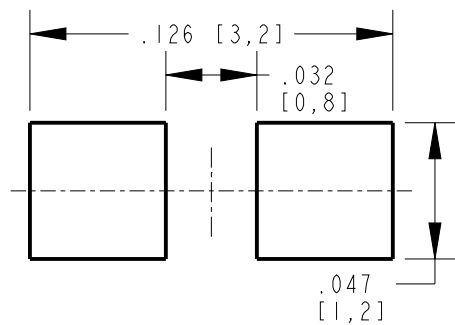
RECOMMENDED RoHS SOLDER PROFILE



MARK	DEFINITION	CONDITION
$T_{S \max}$	MAXIMUM OF PRE-HEATING TEMPERATURE	200°C
$T_{S \min}$	MINIMUM OF PRE-HEATING TEMPERATURE	150°C
T_s	TIME FORM $T_{S \min}$ TO $T_{S \max}$	60s-120s
T_L	REFERENCE TEMPERATURE	217°C
t_L	RETENTION TIME FOR T_L	60s-150s
T_P	PEAK TEMPERATURE	260°C
t_P	TIME FOR PEAK TEMPERATURE	WITHIN 10s
DTr/Dt	TEMPERATURE RISING RATE	WITHIN 3°C/sec
DTd/Dt	TEMPERATURE DECREASING RATE	WITHIN 6°C/sec



LED SCHEMATIC



RECOMMENDED SOLDER PAD LAYOUT

ABSOLUTE MAXIMUM RATINGS AT 25°C							
LED COLOR	POWER DISSIPATION (mW)	FORWARD CURRENT (mA)	PEAK FORWARD CURRENT (mA)	OPERATING TEMPERATURE (°C)	STORAGE TEMPERATURE (°C)	DERATING CURVE FROM 25°C (mA/°C)	ELECTROSTATIC DISCHARGE (V)
WHITE (63-350mcd)	102	30	60	-40°C TO +85°C	-40°C TO +85°C	0.417	5000
WHITE (150-700mcd)	102	30	1/10 DUTY CYCLE, 0.1ms PULSE WIDTH			0.417	5000

OPERATING CHARACTERISTICS AT 25°C AMBIENT									
LED COLOR	TEST CONDITION (mA)	LUMINOUS INTENSITY (mcd)		FORWARD VOLTAGE (V)		CHROMATICITY COORDINATES (CALCULATED)	REVERSE CURRENT (uA)	VIEWING ANGLE (DEGREES)	THERMAL RESISTANCE °C/W
		TYP	MIN	MAX	MIN				
WHITE (63-350mcd)	5mA	65	350	2.6	3.4	X=0.277, Y=0.275	10 uA @ VR=5V/10ms	140	450
WHITE (150-700mcd)	5mA	150	700	2.6	3.4	X=0.272, Y=0.254		140	450



ATTENTION:
OBSERVE PRECAUTIONS FOR
HANDLING ELECTROSTATIC
SENSITIVE DEVICES

THIS DRAWING AND THE CONTENTS HEREIN ARE CONFIDENTIAL AND THE SOLE PROPERTY OF DIALIGHT CORP. REPRODUCTION OF THIS DRAWING OR CONSTRUCTION OF ANY PARTS WITHIN THIS DRAWING ARE FORBIDDEN WITHOUT THE WRITTEN CONSENT OF DIALIGHT CORP.

DIALIGHT CORP INTERNAL REFERENCE ONLY = 3D MODEL : 4500521863X23- .1

SCALE: 15.00	DRAWING NUMBER	REV
ALL DIM'S: INCH (mm)	C-18672	A
TOLERANCES: UNLESS OTHERWISE SPECIFIED	TITLE	
FRACTIONS: ±1/64	SM 0805 WHITE LED 0.7mm THICK	
DECIMALS (.XX): ±.01	MATERIAL	
DECIMALS (.XXX): ±.005		
DECIMALS (.XXXX): ±.0005		
ANGLES: ±1°		
FINISH		
FSCM 83330	Dialight	1501 ROUTE 34 SOUTH FARMINGDALE, NJ 07727 (732) 919-3119 www.dialight.com
	SHEET 1 OF 1	FAMILY TABLE: