

13A Rewireable Plug with Switch

RoHS
Compliant



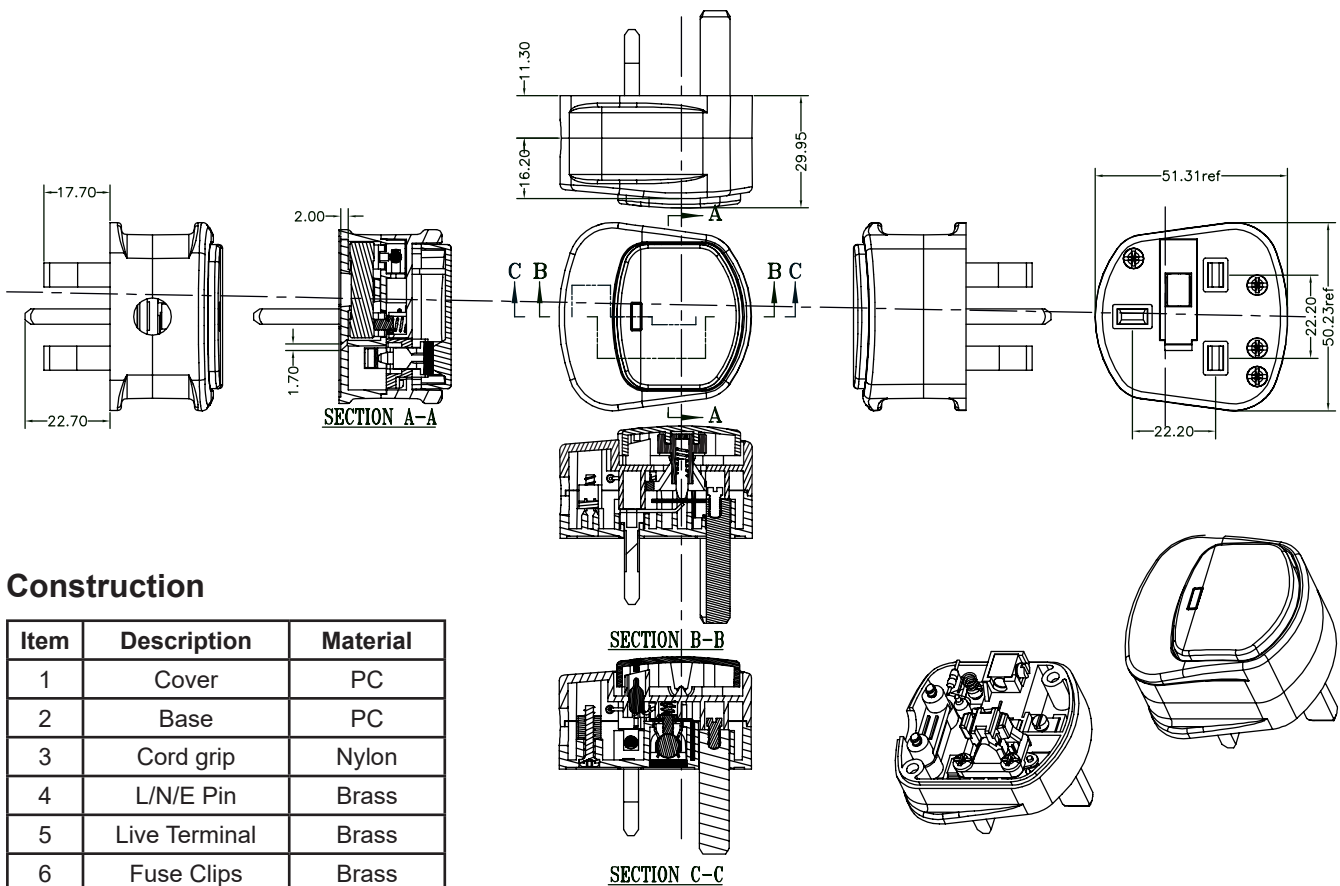
Features

- 13A plug top featuring an on/off switch
- Fitted with 13A replaceable fuse
- Red neon indicator indicates power source
- Allows appliances to be switched on and off without the need for unplugging
- Standard: BS 5733

Specifications

Connector Type : UK Mains Plug
 Current Rating : 13A 250V AC
 Connector Colour : Black

Diagram



Construction

Item	Description	Material
1	Cover	PC
2	Base	PC
3	Cord grip	Nylon
4	L/N/E Pin	Brass
5	Live Terminal	Brass
6	Fuse Clips	Brass
7	Cover Screw	Mild Steel
8	Fuse	13A Fuse
9	Fuse holder	Nylon

Dimensions : Millimetres

Newark.com/exclusive-brands
 Farnell.com/exclusive-brands
 Element14.com/exclusive-brands

13A Rewireable Plug with Switch

Safety Specifications

No.	Item	Conditions	Requirements
1	Appearance	-	No defect such as cracks, deep scratches or blemishes
2	Marking	-	Shall be legible and must be clear
3	Insulation Resistance	500 +250 V DC 1 min	Shall not be less than 5 MΩ
4	Dielectric strength	2000 ±60V 1 min	No damage or breakdown
7	Torque test	Value of 0.6N.m. (6.1 kgf/cm)	Cover screw shall withstand the torque applied
8	Glow Wire Test	750°/650° electrically heated	Flame must extinguish within 30 seconds.
9	Temperature rise	14A 250V	Temperature rise must not exceed: 1. Terminals or terminations : 52K 2. Accessible surface: 52K

Conditions Of Use

- a) An ambient temperature in the range -5°C to +40°C, the average value over 24 hours not exceeding 25°C.
- b) A situation not subject to exposure to direct radiation from the sun or other source of heat like to raise temperatures above the limits specified in a);
- c) An altitude not exceeding 2000 metres above sea level;
- d) An atmosphere no subject to abnormal pollution by smoke, chemical fumes, rain, spray, prolonged periods of high humidity or other abnormal conditions.

Part Number Table

Description	Part Number
13A Rewireable UK Plug with Switch, 13A/250V, Black	2138 BLACK

Important Notice : This data sheet and its contents (the "Information") belong to the members of the AVNET group of companies (the "Group") or are licensed to it. No licence is granted for the use of it other than for information purposes in connection with the products to which it relates. No licence of any intellectual property rights is granted. The Information is subject to change without notice and replaces all data sheets previously supplied. The Information supplied is believed to be accurate but the Group assumes no responsibility for its accuracy or completeness, any error in or omission from it or for any use made of it. Users of this data sheet should check for themselves the Information and the suitability of the products for their purpose and not make any assumptions based on information included or omitted. Liability for loss or damage resulting from any reliance on the Information or use of it (including liability resulting from negligence or where the Group was aware of the possibility of such loss or damage arising) is excluded. This will not operate to limit or restrict the Group's liability for death or personal injury resulting from its negligence. pro-ELEC is the registered trademark of Premier Farnell Limited 2019.