

# FA MCR-HT-1TS-I-OLP - Head-mounted transducer



1145210

<https://www.phoenixcontact.com/de/produkte/1145210>

Please be informed that the data shown in this PDF document is generated from our Online Catalog. Please find the complete data in the user documentation. Our General Terms of Use for Downloads are valid.



Output loop-powered head transmitter for transmitting RTD and TC sensor signals, as well as from resistance and voltage sensors via 4 mA ... 20 mA. HART, Standard configuration, Screw connection

## Commercial Data

Item number	1145210
Packing unit	1 pc
Minimum order quantity	1 pc
Sales Key	J1 - MSR-Technik
Product Key	CK1322
GTIN	4063151135614
Weight per Piece (including packing)	187 g
Weight per Piece (excluding packing)	137,9 g
Customs tariff number	85437090
Country of origin	DE

1145210

<https://www.phoenixcontact.com/de/produkte/1145210>

## Technical Data

### Product properties

Product type	Temperature transmitter
Product family	Field Analog
No. of channels	1
Configuration	Software
	HART

### Insulation characteristics

Overvoltage category	II
Pollution degree	2

### Electrical properties

No. of channels	1
Step response (0–99%)	1 s (TC)
	1 s (RTD)

### Electrical isolation Input/output

Test voltage	2 kV AC (50 Hz, 60 s)
--------------	-----------------------

### Supply

Supply voltage range	loop-powered, no external supply necessary
	10 V DC ... 36 V DC (Standard)

### Input data

#### Measurement

Number of inputs	1
Input voltage range	-20 mV ... 100 mV (Minimum measuring span: 5 mV)
Sensor types (RTD) that can be used	Pt, Ni, Cu sensors: 2, 3, 4-wire
Sensor types that can be used (TC)	A, B, C, D, E, J, K, L, N, R, S, T, U
Temperature measuring range	-250 °C ... 2500 °C (Range depending on the sensor type)
Temperature measuring range	≥ 10 K (RTD)
	≥ 50 K (TC)
Linear resistance measuring range	10 Ω ... 2000 Ω (Minimum measuring span: 10 Ω)

### Output data

#### Signal: Current

Current output signal	4 mA ... 20 mA (HART)
	20 mA ... 4 mA (HART)
Max. current output signal	23 mA
Load	(U <sub>L</sub> - 10 V) / 0.023 A
HART coding	FSK ± 0.5 mA
HART version	7

# FA MCR-HT-1TS-I-OLP - Head-mounted transducer



1145210

<https://www.phoenixcontact.com/de/produkte/1145210>

Transmission speed	1200 Baud
Mains frequency filter	50/60 Hz
Communication resistance	$\geq 250 \Omega$
Switch-on delay	$\approx \phi$ s (HART) $\approx \phi$ s (Measured value)

## Connection data

Connection method	Screw connection
Stripping length	8 mm
Screw thread	M3
Conductor cross section rigid	0.2 mm <sup>2</sup> ... 2.5 mm <sup>2</sup>
Conductor cross section flexible	0.2 mm <sup>2</sup> ... 2.5 mm <sup>2</sup>
Conductor cross section AWG	24 ... 14
Tightening torque	0.5 Nm

## Ex data

Ex installation (EPL)	Gc Div. 2
-----------------------	--------------

## Interfaces

### Data communication (bypass)

Protocols supported	HART
---------------------	------

## Environmental and real-life conditions

### Ambient conditions

Degree of protection	IP00 (upon installation in field housing IP66/67, NEMA 4X)
Ambient temperature (operation)	-40 °C ... 85 °C
Ambient temperature (storage/transport)	-50 °C ... 100 °C
Altitude	$\leq 4000$ m (Above sea level)
Climatic class	C1
Permissible humidity (operation)	5 % ... 95 % (condensation permitted)

## Approvals

### CE

Certificate	CE-compliant
-------------	--------------

### ATEX

Identification	⊕ II 3 G Ex ec IIC T6
Certificate	PxCIF20ATEX1145192U

### CSA

Identification	Ex ec IIC T6...T4
----------------	-------------------

## Mounting

# FA MCR-HT-1TS-I-OLP - Head-mounted transducer



1145210

<https://www.phoenixcontact.com/de/produkte/1145210>

Mounting type	Installation
	DIN rail mounting
Assembly instructions	Installation in connecting head B in accordance with DIN EN 50446

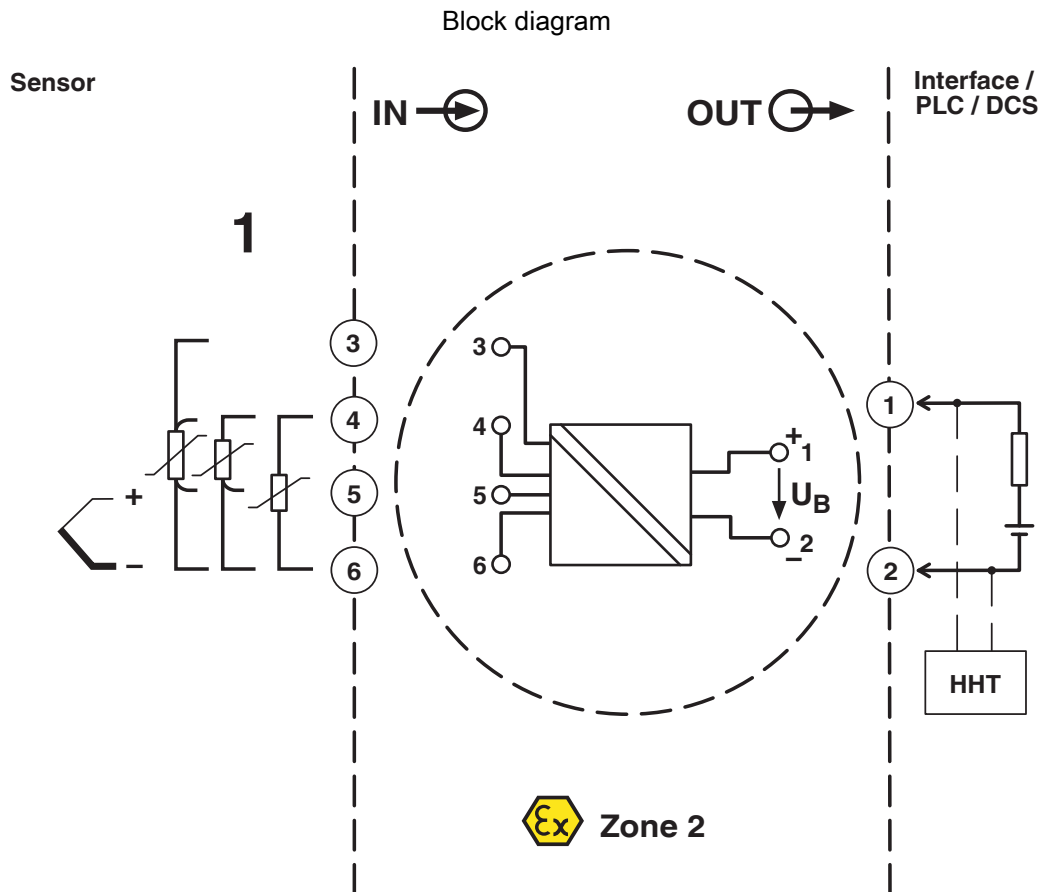
# FA MCR-HT-1TS-I-OLP - Head-mounted transducer



1145210

<https://www.phoenixcontact.com/de/produkte/1145210>


## Drawings




1145210

<https://www.phoenixcontact.com/de/produkte/1145210>

## Approvals

 To download certificates, visit the product detail page: <https://www.phoenixcontact.com/de/produkte/1145210>

 **CSA**  
Approval ID: 80070110

 **CSAus**  
Approval ID: 80070110

**cCSAus**

# FA MCR-HT-1TS-I-OLP - Head-mounted transducer



1145210

<https://www.phoenixcontact.com/de/produkte/1145210>

## Classifications

### ECLASS

ECLASS-11.0	27210129
ECLASS-12.0	27210129
ECLASS-13.0	27210129

### ETIM

ETIM 8.0	EC002919
----------	----------

### UNSPSC

UNSPSC 21.0	41112100
-------------	----------

# FA MCR-HT-1TS-I-OLP - Head-mounted transducer



1145210

<https://www.phoenixcontact.com/de/produkte/1145210>

## Environmental Product Compliance

China RoHS	Environmentally Friendly Use Period = 50 years For information on hazardous substances, refer to the manufacturer's declaration available under "Downloads"
------------	--



# FA MCR-HT-1TS-I-OLP - Head-mounted transducer



1145210

<https://www.phoenixcontact.com/de/produkte/1145210>

## Accessories

### MCR-PAC-T-USB - Programming adapter

2309000

<https://www.phoenixcontact.com/de/produkte/2309000>

Programming adapter with USB and T port interface, 2.4 m for programming FA MCR-..., MCR-...-LP-..., and MCR-...-HT-... modules



---

### GW HART USB MODEM - Cable adapter

1003824

<https://www.phoenixcontact.com/de/produkte/1003824>

USB HART modem cable for communication between a PC and HART devices, cable length: 1m.



# FA MCR-HT-1TS-I-OLP - Head-mounted transducer



1145210

<https://www.phoenixcontact.com/de/produkte/1145210>

## MCR-DIN-RAIL-ADAPTER HT - Adapter

2864671

<https://www.phoenixcontact.com/de/produkte/2864671>

DIN rail adapter for head-mounted transducers. Suitable for 35 mm DIN rails in accordance with EN 60715.



---

## FA MCR-HT-D - Display

2908735

<https://www.phoenixcontact.com/de/produkte/2908735>

Display unit for plugging directly into the FA MCR-... head transmitter



# FA MCR-HT-1TS-I-OLP - Head-mounted transducer

1145210

<https://www.phoenixcontact.com/de/produkte/1145210>

## FA MCR-HT-FH - Electronic housing

2908736

<https://www.phoenixcontact.com/de/produkte/2908736>



Field housing for the installation of head transmitters with or without display unit.  
For direct connection to the process.

---

## FA MCR-HT-FH-WM - Mounting kit

2908737

<https://www.phoenixcontact.com/de/produkte/2908737>

Wall fastening for FA MCR-HT-FH field housing



# FA MCR-HT-1TS-I-OLP - Head-mounted transducer



1145210

<https://www.phoenixcontact.com/de/produkte/1145210>

## FA MCR-HT-FH-PM - Mounting kit

2908738

<https://www.phoenixcontact.com/de/produkte/2908738>

Pipe fastening for FA MCR-HT-FH field housing



---

Phoenix Contact 2023 © - all rights reserved

<https://www.phoenixcontact.com>

PHOENIX CONTACT Deutschland GmbH

Flachsmarktstraße 8

D-32825 Blomberg

+49 52 35/3-1 20 00

[info@phoenixcontact.de](mailto:info@phoenixcontact.de)