



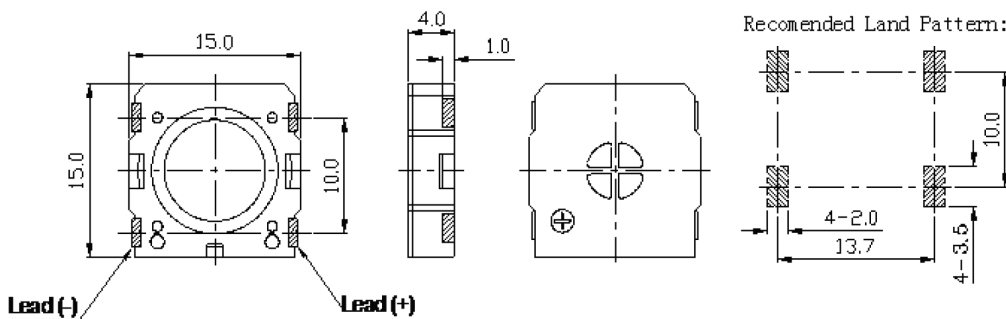
Features

- Compact micro dynamic speaker
- 15mm × 15mm × 4mm with solder pads
- Applications include door entry systems, security and safety products, PDAs and parking meters

Specifications

Rated Impedance	: $8 \pm 15\% \Omega / 1\text{kHz} / 1\text{V}$
Rated Power	: 0.5W
Max. Power	: 0.8W (max 1 minute)
Resonant Frequency	: $850 \pm 15\% \text{Hz} / 1\text{V}$
Sound pressure level at 1kHz, 1.2kHz, 1.5kHz, 2kHz sine wave, 0.5W/0.1m baffle board (IEC)	: $88 \pm 3\text{dB}$
Frequency Range	: f0Hz ~ 20kHz
Total Harmonic Distortion	: 10% Max at 2kHz/0.5W
Operating Temperature	: $-20^\circ\text{C} \sim +70^\circ\text{C}$
Storage Temperature	: $-20^\circ\text{C} \sim +70^\circ\text{C}$
Weight	: 1.5g
Voice Coil Diameter	: 7.4mm
Magnet size (SmCo)	: $6.8 \times 1.1\text{mm}$

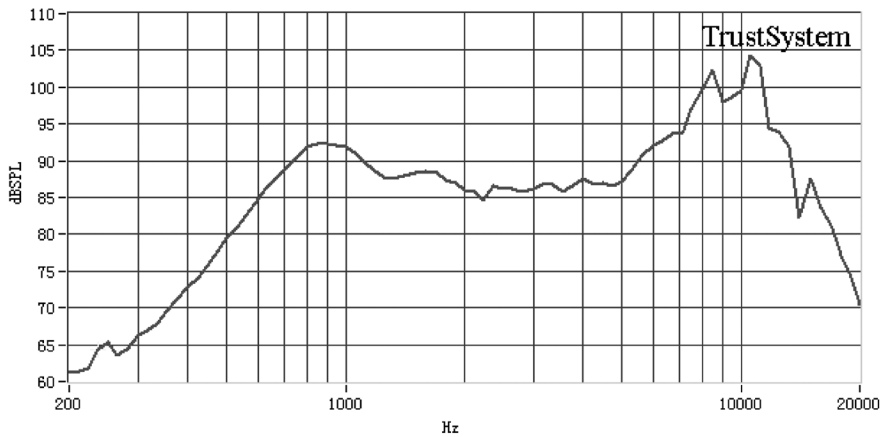
Diagram



Dimensions: Millimetres

Part Name	Material	Qty.
Frame	LCP	1
Yokel	SPCC	1
Diaphragm	PI	1
Voice coil	Copper	1
Plate	SPCC	1
Magnet	SmCo	1
Terminal	Cu+Sn	2
Cap	LCP	1

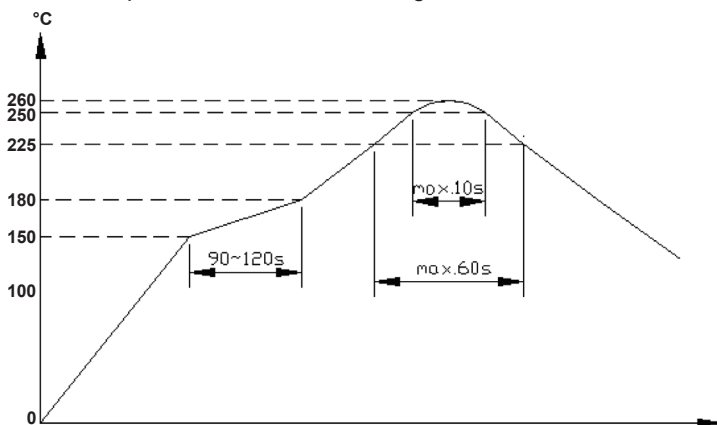
Frequency Response Curve



Soldering Condition:

It is recommended reflow soldering condition as follows -

NB: It is requested that reflow soldering should be executed after heat of product returns to normal



Part Number Table

Description	Part Number
Speaker, Micro, Dynamic, 8Ω, 0.5W	ABS-243-RC

Important Notice : This data sheet and its contents (the "Information") belong to the members of the AVNET group of companies (the "Group") or are licensed to it. No licence is granted for the use of it other than for information purposes in connection with the products to which it relates. No licence of any intellectual property rights is granted. The Information is subject to change without notice and replaces all data sheets previously supplied. The Information supplied is believed to be accurate but the Group assumes no responsibility for its accuracy or completeness, any error in or omission from it or for any use made of it. Users of this data sheet should check for themselves the Information and the suitability of the products for their purpose and not make any assumptions based on information included or omitted. Liability for loss or damage resulting from any reliance on the Information or use of it (including liability resulting from negligence or where the Group was aware of the possibility of such loss or damage arising) is excluded. This will not operate to limit or restrict the Group's liability for death or personal injury resulting from its negligence. Multicomp Pro is the registered trademark of Premier Farnell Limited 2019.