

2373747-5 ✓ ACTIVE

[Dynamic Series](#) | [Dynamic 8000 Series](#)

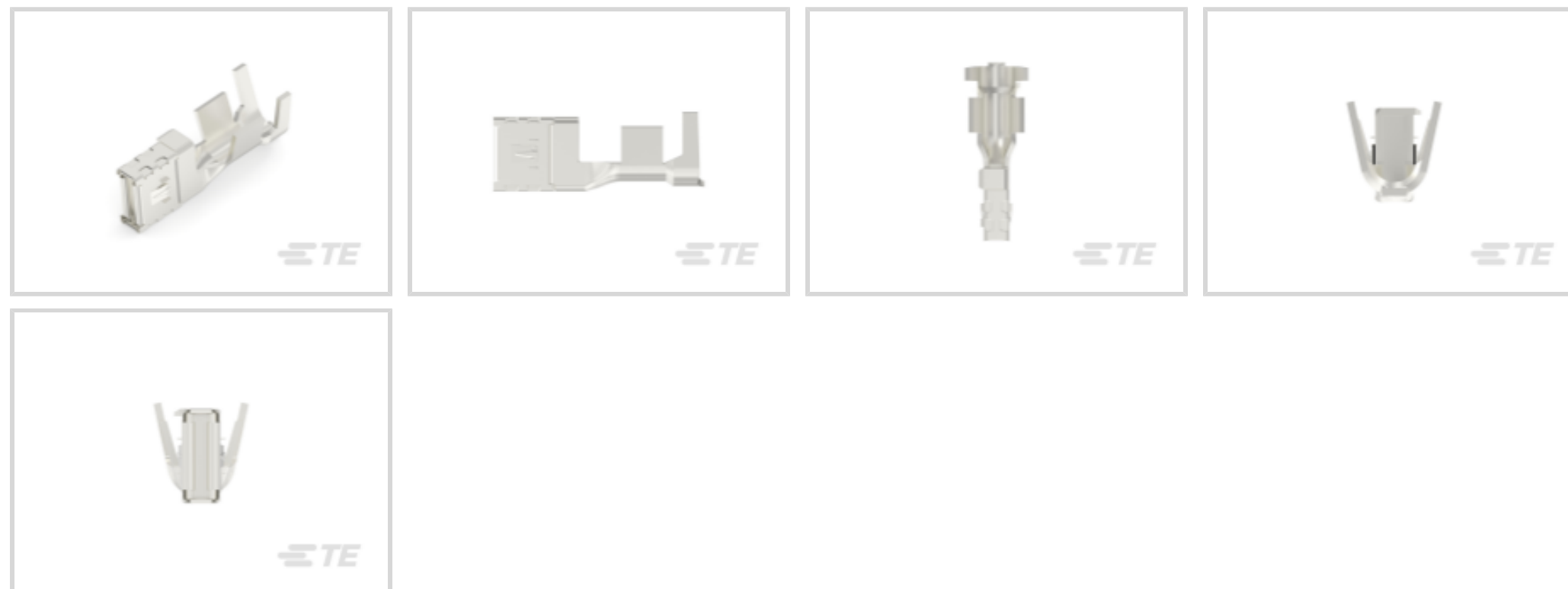
TE Internal #: 2373747-5

Connector Contact, Receptacle, Component-to-Wire, 3 AWG Wire Size, 26.67 mm² Wire Size, Silver, Reel & Box, Wire & Cable, 100 A, Dynamic 8000 Series

[View on TE.com >](#)



[Connectors](#) > [PCB Connectors](#) > [Wire-to-Board Connectors](#) > [Wire-to-Board Connector Contacts](#) > [Contact Tab: Component-to-Wire](#)



Contact Type: **Receptacle**

Connector System: **Component-to-Wire**

Wire Size: **26.67 mm²**

Contact Mating Area Plating Material: **Silver**

[All Contact Tab: Component-to-Wire \(2\)](#)

Features

Product Type Features

Connector System	Component-to-Wire
Connector & Contact Terminates To	Wire & Cable

Contact Features

Contact Type	Receptacle
Contact Mating Area Plating Material	Silver
Contact Current Rating (Max)	100 A

Dimensions

Wire Size	26.67 mm ²
-----------	-----------------------

Usage Conditions

Operating Temperature Range	-55 – 105 °C[-67 – 221 °F]
-----------------------------	----------------------------

Operation/Application

Circuit Application	Power
---------------------	-------

Packaging Features



Packaging Method	Reel & Box
------------------	------------

Product Compliance

[For compliance documentation, visit the product page on TE.com>](#)

EU RoHS Directive 2011/65/EU	Compliant
EU ELV Directive 2000/53/EC	Compliant
China RoHS 2 Directive MIIT Order No 32, 2016	No Restricted Materials Above Threshold
EU REACH Regulation (EC) No. 1907/2006	Current ECHA Candidate List: JUNE 2023 (235) Candidate List Declared Against: JUNE 2023 (235) Does not contain REACH SVHC
Halogen Content	Low Halogen - Br, Cl, F, I < 900 ppm per homogenous material. Also BFR/CFR/PVC Free
Solder Process Capability	Not reviewed for solder process capability

Product Compliance Disclaimer

This information is provided based on reasonable inquiry of our suppliers and represents our current actual knowledge based on the information they provided. This information is subject to change. The part numbers that TE has identified as EU RoHS compliant have a maximum concentration of 0.1% by weight in homogenous materials for lead, hexavalent chromium, mercury, PBB, PBDE, DBP, BBP, DEHP, DIBP, and 0.01% for cadmium, or qualify for an exemption to these limits as defined in the Annexes of Directive 2011/65/EU (RoHS2). Finished electrical and electronic equipment products will be CE marked as required by Directive 2011/65/EU. Components may not be CE marked. Additionally, the part numbers that TE has identified as EU ELV compliant have a maximum concentration of 0.1% by weight in homogenous materials for lead, hexavalent chromium, and mercury, and 0.01% for cadmium, or qualify for an exemption to these limits as defined in the Annexes of Directive 2000/53/EC (ELV). Regarding the REACH Regulation, the information TE provides on SVHC in articles for this part number is based on the latest European Chemicals Agency (ECHA) 'Guidance on requirements for substances in articles' posted at this URL: <https://echa.europa.eu/guidance-documents/guidance-on-reach>

Compatible Parts

 <p>TE Part # 1-2351981-2 DYNAMIC D8000 REC HSG 2P</p>	 <p>TE Part # 2376202-1 Auxiliary Tool for D8000 REC CONTACT</p>
---	--

Also in the Series | [Dynamic 8000 Series](#)



PCB Headers & Receptacles(1)

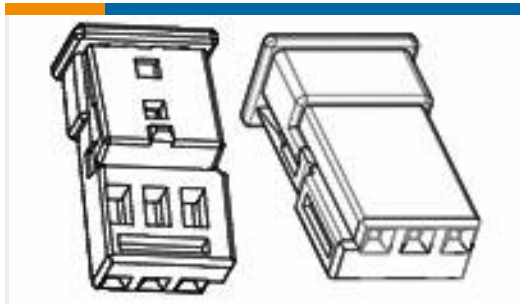


Wire-to-Board Connector Assemblies & Housings(2)



Wire-to-Board Connector Contacts(2)

Customers Also Bought



TE Part #1743164-2
3POS MQS REC



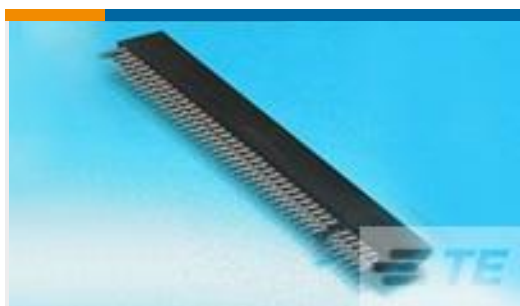
TE Part #1-2351965-2
Dynamic D8000 HDR ASSY 2PX BLK



TE Part #1-2352216-2
Housing Receptacle: Wire-to-Board



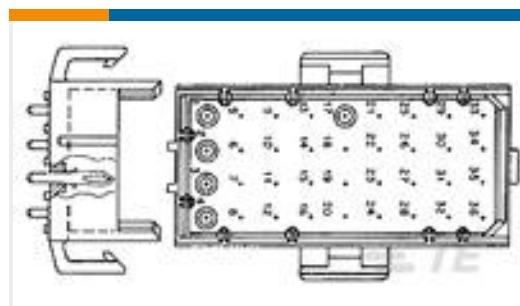
TE Part #2351982-5
DYNAMIC D8000 TAB CONT SILVER



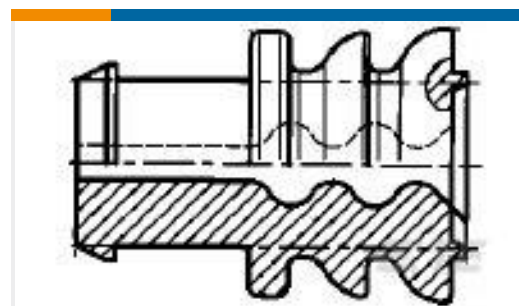
TE Part #5532600-2
CONN SEC II 25 POS 100 C/L RA



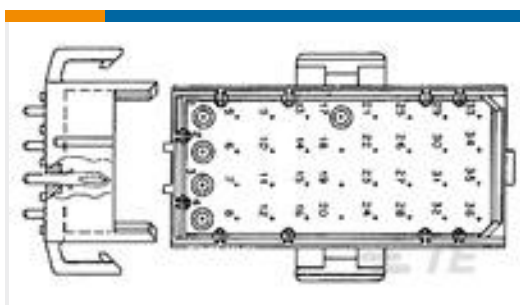
TE Part #1766693-1
CONN,PIN,RT<,SLDR,MINIPAK



TE Part #640497-3
02P MR HDR ASSY



TE Part #828985-1
RUBBER PLUG >2,5-4,0MM2



TE Part #640499-3
04P MR HDR ASSY V0

Documents

[CAD Files](#)

[3D PDF](#)

[3D](#)

[Customer View Model](#)

[ENG_CVM_CVM_2373747-5_1.2d_dxf.zip](#)

English

[Customer View Model](#)

[ENG_CVM_CVM_2373747-5_1.3d_igs.zip](#)



English

Customer View Model

[ENG_CVM_CVM_2373747-5_1.3d_stp.zip](#)

English

By downloading the CAD file I accept and agree to the [Terms and Conditions](#) of use.

Product Specifications

[Application Specification](#)

English

Product Environmental Compliance

[Product Compliance](#)

English

[Product Compliance](#)

English