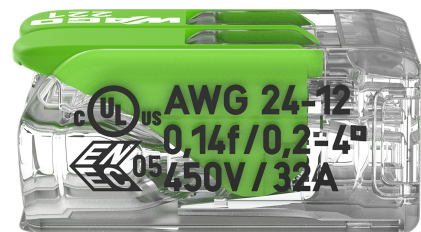
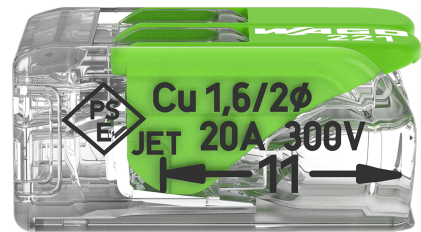
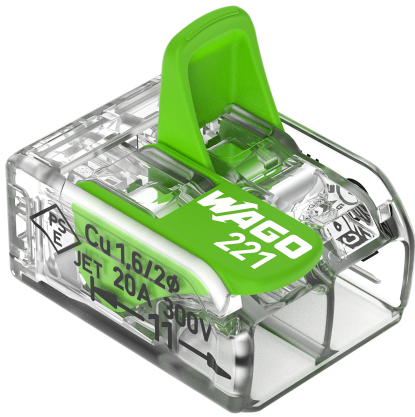
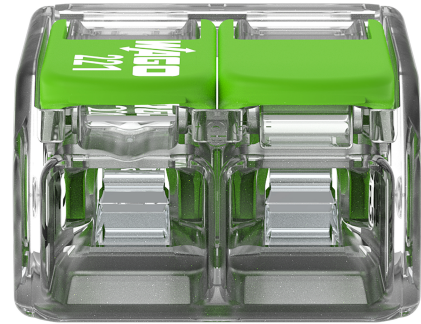
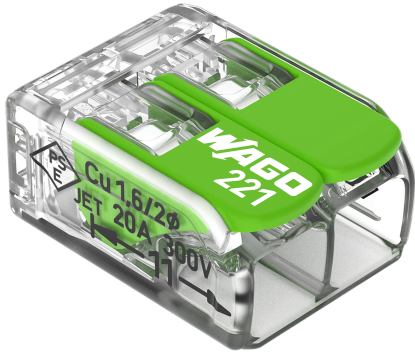


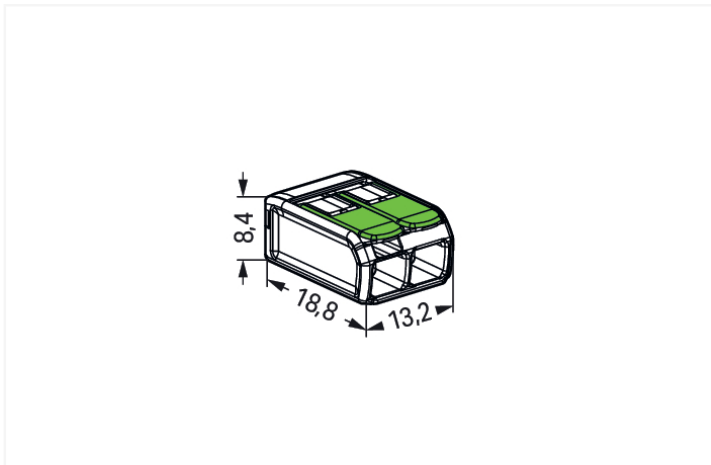
Data Sheet | Item Number: 221-422

Splicing connector with levers; for all conductor types; max. 4 mm<sup>2</sup>; 2-conductor; transparent housing; Surrounding air temperature: max 85°C (T85); 4,00 mm<sup>2</sup>; transparent



<https://www.wago.com/221-422>





**Texte**

Item description	<p>Your Benefits:</p> <ul style="list-style-type: none"> <li>• Ease of use – pull the lever up, insert a conductor and push the lever back down</li> <li>• Available as 2-, 3- and 5-wire connectors</li> <li>• Easily terminate conductors from 0.14 to 4 mm<sup>2</sup></li> <li>• Connect solid, stranded and fine-stranded conductors</li> <li>• Time savings for installers and device manufacturers</li> <li>• Quickly install devices with higher power consumption</li> <li>• Safely install long cable runs with larger conductor cross sections</li> <li>• Mounting carrier for installation conforms to standards</li> <li>• Custom carriers are possible</li> </ul>
------------------	---

**Notes**

Safety information	in grounded power lines
--------------------	-------------------------

**Electrical data**

Ratings per IEC/EN		Ratings per UL 1059	
Ratings per	EN 60664	Approvals per	UL 486C
Nominal voltage (II/2)	450 V	Rated voltage UL (Use Group C)	600 V
Rated surge voltage (II/2)	4 kV	Rated current UL (Use Group C)	20 A
Rated current	32 A		
Legend (ratings)	(II / 2) # Overvoltage category II / Pollution degree 2		

**Connection data**

Connection points	2	<b>Connection 1</b>	
Total number of potentials	1	Connection technology	CAGE CLAMP <sup>®</sup>
		Actuation type	Lever
		Connectable conductor materials	Copper
		Nominal cross-section	4 mm <sup>2</sup> / 12 AWG
		Solid conductor	0.2 ... 4 mm <sup>2</sup> / 24 ... 12 AWG
		Stranded conductor	0.2 ... 4 mm <sup>2</sup> / 24 ... 12 AWG
		Fine-stranded conductor	0.14 ... 4 mm <sup>2</sup> / 24 ... 12 AWG
		Strip length	11 mm / 0.43 inches
		Wiring direction	Side-entry wiring

**Physical data**

Width	13.2 mm / 0.52 inches
-------	-----------------------

### Physical data

Height	8.6 mm / 0.327 inches
Depth	18.8 mm / 0.732 inches

### Material data

Note (material data)	<a href="#">Information on material specifications can be found here</a>
Color	transparent
Insulation material	Polycarbonate (PC)
Flammability class per UL94	V2
Fire load	0.056 MJ
Actuator color	green
Weight	1.76 g

### Environmental requirements

Ambient temperature (operation)	+85 °C
Continuous operating temperature	105 °C
Temperature marking per EN 60998	T85

### Commercial data

PU (SPU)	1000 (100) pcs
Country of origin	DE
GTIN	4066966345384
Customs tariff number	85369010000

### Environmental Product Compliance

RoHS Compliance Status	Compliant, No Exemption
------------------------	-------------------------