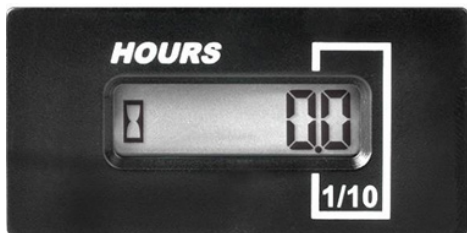


**RoHS
Compliant**

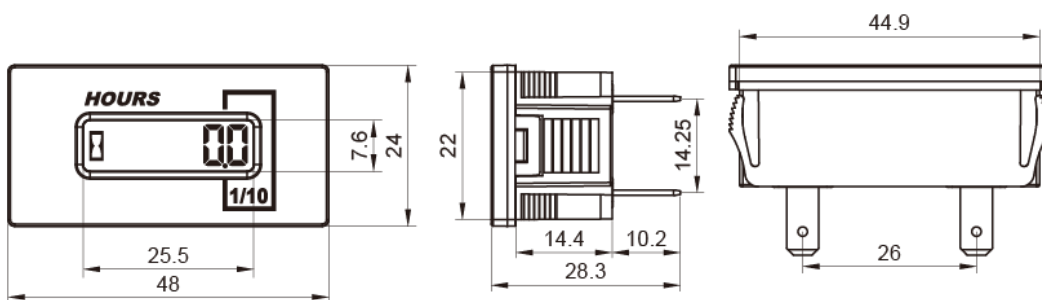


This LCD Hour Meter is a precise and versatile time-tracking instrument designed to meet your needs. This compact 6-digit marvel, measuring 48x24mm, comes equipped with convenient Faston terminals for easy installation. Operating seamlessly within a broad voltage range, it functions reliably on AC power and DC power sources. This meter is designed for seamless integration into your equipment. It offers accurate hour tracking while ensuring effortless installation and compatibility with a wide range of power supplies.

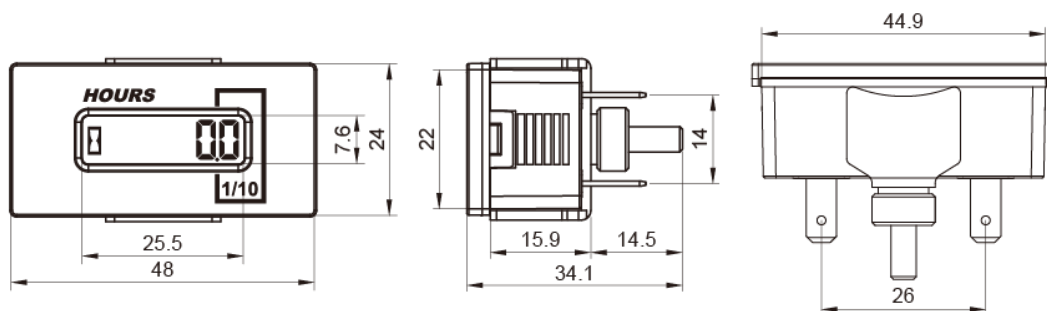
Specification

Product name	LCD Hour Meter			
Item number	MP011713	MP011714	MP011715	MP011716
Timing range	0.0-999999H			
Timing accuracy	0.1H/1H			
Working Voltage	AC 85-250V, DC 60-150V	AC 6-85V, DC 6-60V	AC 85-250V, DC 60-150V	AC 6-85V, DC 6-60V
Display mode	LCD 6 digits			
Display Screen Size	25mm × 7.6mm			
Product Dimension	48mm × 24mm × 28.3mm		48mm × 24mm × 34.1mm	
Installation	Snap-in Pan		Metal bracket & screw	
Product Dimension	-20°C to 65°C			
Housing Material	ABS			
Waterproof Rating	IP67			

Snap-in Pan
Unit: mm

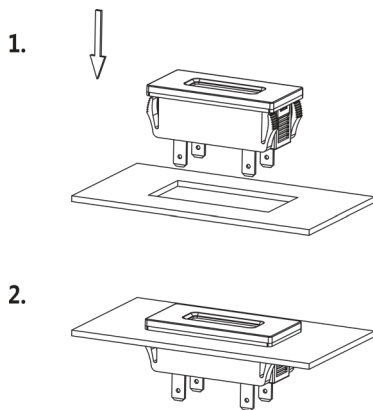


Metal bracket
& screw
Unit: mm

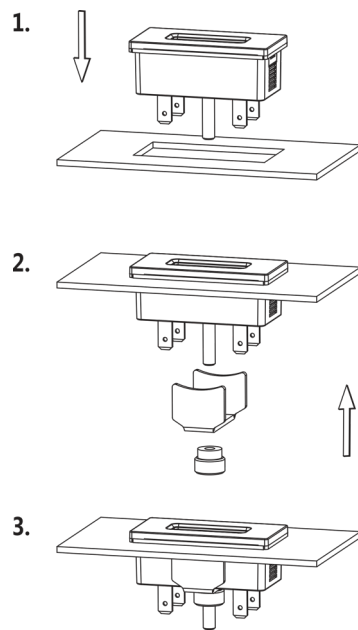


Product Installation:

Please put the meter into the mounting hole and fix it by the bracket



Insert the battery meter into the mounting panel as below picture, mount the bracket pass through the screw and top side against the mounting plate, then secured by screw nut.



Part Number Table

Description	Part Number
Hour Meter, 6 Digit	MP011713
	MP011714
	MP011715
	MP011716

Important Notice : This data sheet and its contents (the "Information") belong to the members of the AVNET group of companies (the "Group") or are licensed to it. No licence is granted for the use of it other than for information purposes in connection with the products to which it relates. No licence of any intellectual property rights is granted. The Information is subject to change without notice and replaces all data sheets previously supplied. The Information supplied is believed to be accurate but the Group assumes no responsibility for its accuracy or completeness, any error in or omission from it or for any use made of it. Users of this data sheet should check for themselves the Information and the suitability of the products for their purpose and not make any assumptions based on information included or omitted. Liability for loss or damage resulting from any reliance on the Information or use of it (including liability resulting from negligence or where the Group was aware of the possibility of such loss or damage arising) is excluded. This will not operate to limit or restrict the Group's liability for death or personal injury resulting from its negligence. Multicomp Pro is the registered trademark of Premier Farnell Limited 2019.