

**RoHS
Compliant**



Specifications

Rated impedance	: 100 ±15%Ω/2kHz/0.1W
Rated input power	: 0.15W
Max. input power	: 0.3W
Resonant frequency F ₀	: 600 ±20% Hz/0.1W
Frequency range	: F0Hz-5,000Hz
Sound pressure level at (AVG 0.8, 1.0, 1.2, 1.5)KHz 0.1W/0.1m baffleboard IEC	: 83±3dB
Total harmonic distortion	: 5% Max. at 2kHz/0.1W
Voice coil diameter	: Ø8.7mm
Magnet (NdFeB)	: Ø7.5×1t mm
Operating temperature	: -20°C to +60°C
Storage temperature	: -20°C to +60°C
Weight	: 2.4g

Material

Frame - SPCC

Diaphragm - Black PET

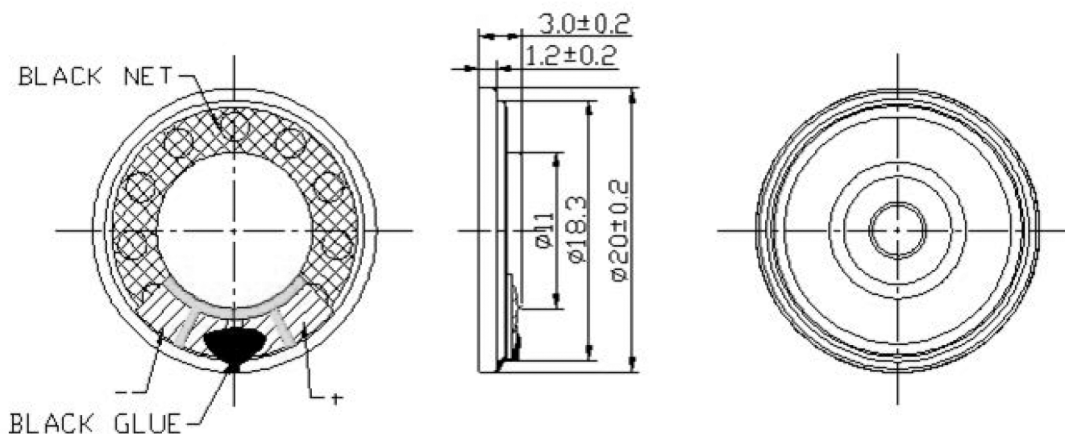
Voice coil - Self bonding wire

Plate - SPCC

Magnet - NdFeB

PCB - FR4

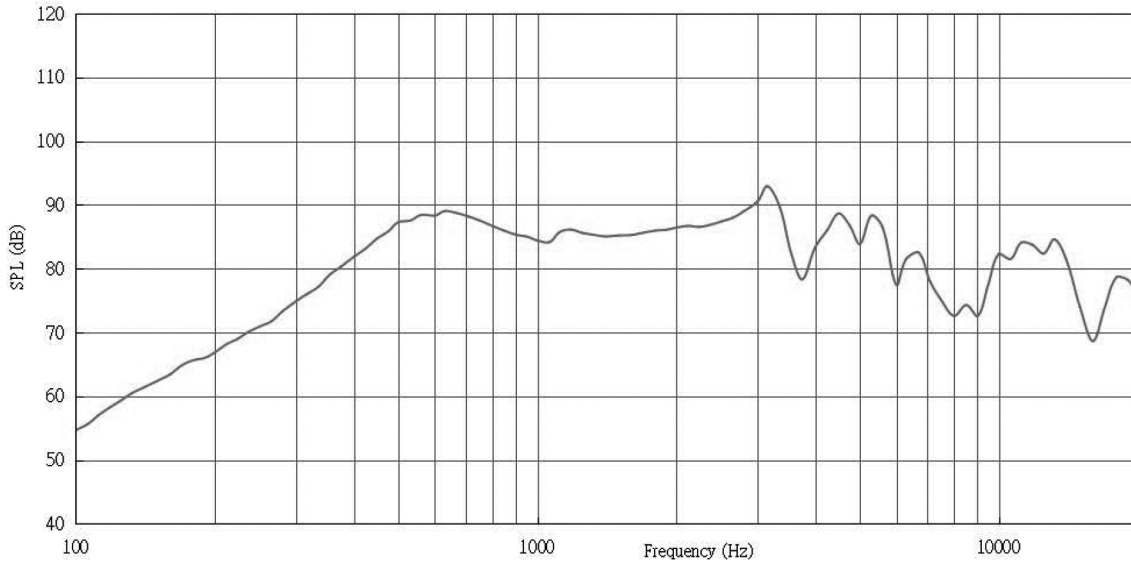
Diagram



Dimensions : Millimetres

Newark.com/multicomp-pro
Farnell.com/multicomp-pro
sg.element14.com/b/multicomp-pro

Frequency Response Curve



Part Number Table

Description	Part Number
Miniature Speaker, 100Ω, 0.15W	MCABS-261-RC

Important Notice : This data sheet and its contents (the "Information") belong to the members of the AVNET group of companies (the "Group") or are licensed to it. No licence is granted for the use of it other than for information purposes in connection with the products to which it relates. No licence of any intellectual property rights is granted. The Information is subject to change without notice and replaces all data sheets previously supplied. The Information supplied is believed to be accurate but the Group assumes no responsibility for its accuracy or completeness, any error in or omission from it or for any use made of it. Users of this data sheet should check for themselves the Information and the suitability of the products for their purpose and not make any assumptions based on information included or omitted. Liability for loss or damage resulting from any reliance on the Information or use of it (including liability resulting from negligence or where the Group was aware of the possibility of such loss or damage arising) is excluded. This will not operate to limit or restrict the Group's liability for death or personal injury resulting from its negligence. Multicomp Pro is the registered trademark of Premier Farnell Limited 2019.