



Features

- Plastic face plate.
- 1" aluminium diaphragm.
- Neodymium magnet low distortion motor system.
- Ferro fluid for improved power handling.

Specifications

Dimensions	: 72mm
Cone Material	: Aluminium
Surround	: Silk
Nominal Impedance	: 6Ω
Nominal Power Handling	: 25W
Program Power Handling	: 50W
Sensitivity	: 88dB ± 2dB (2.45V/M/W)
Free Air Resonance	: 1500Hz ±300Hz
Frequency Range	: f0 ~ 20000Hz
Net weight	: 87 grams

Voice Coil

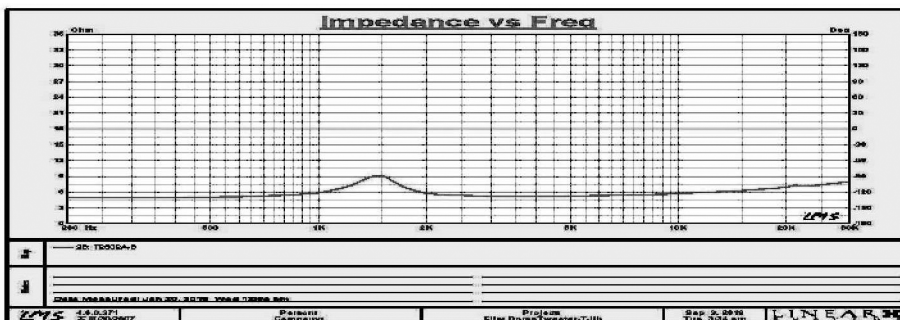
Diameter	: 25.4mm
Length	: 1.2mm
Former Material	: Aluminium (ASV)
Layers	: 2
Wire Material	: Copper (SVW)

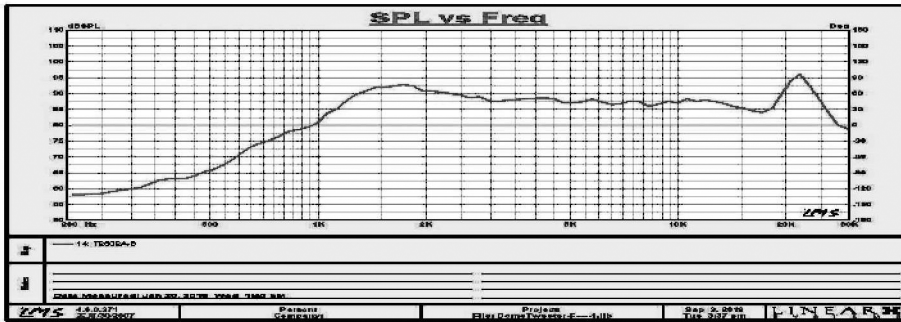
Magnet

Diameter	: 24.5mm
Height	: 3.5mm
Weight	: 12.2 grams
Gap(H)	: 2mm
Material	: NdFeB (N35)

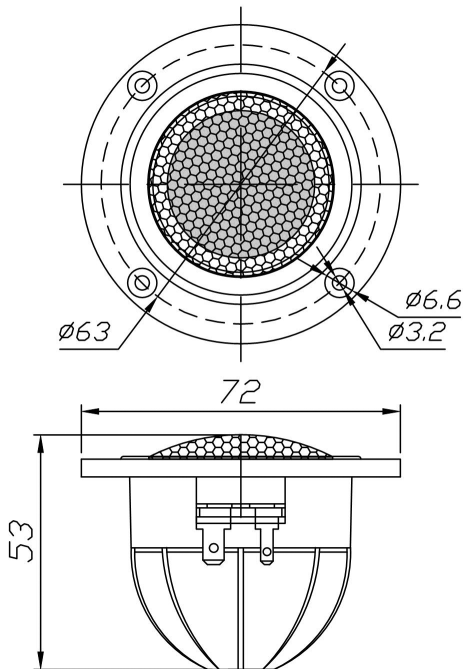
Parameters

Free Air Resonance	: Fs: 1480Hz
DC Resistance	: Re: 4.8Ω





Diagram



Part Number Table

Description	Part Number
Speaker, 72mm, 25W/50W	MP011856

Dimensions : Millimetres

Important Notice : This data sheet and its contents (the "Information") belong to the members of the AVNET group of companies (the "Group") or are licensed to it. No licence is granted for the use of it other than for information purposes in connection with the products to which it relates. No licence of any intellectual property rights is granted. The Information is subject to change without notice and replaces all data sheets previously supplied. The Information supplied is believed to be accurate but the Group assumes no responsibility for its accuracy or completeness, any error in or omission from it or for any use made of it. Users of this data sheet should check for themselves the Information and the suitability of the products for their purpose and not make any assumptions based on information included or omitted. Liability for loss or damage resulting from any reliance on the Information or use of it (including liability resulting from negligence or where the Group was aware of the possibility of such loss or damage arising) is excluded. This will not operate to limit or restrict the Group's liability for death or personal injury resulting from its negligence. Multicomp Pro is the registered trademark of Premier Farnell Limited 2019.