



Features

- Cast aluminium frame.
- White anodized aluminium cone.
- Copper pole cap reduce inductance and distortion.
- Full range frequency response.

Specifications

Dimensions	: 150mm
Cone Material	: White aluminium
Surround	: Rubber
Nominal Impedance	: 8Ω
Nominal Power Handling	: 15W
Program Power Handling	: 30W
Sensitivity	: 86dB ± 2dB (2.83V/M/W)
Free Air Resonance	: 50Hz ±10Hz
Frequency Range	: f0 ~ 20000Hz
Net Weight	: 1480 grams

Voice Coil

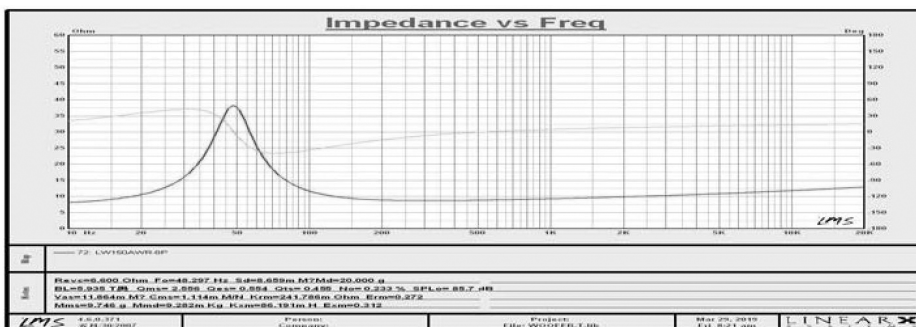
Diameter	: 25.4mm
Length	: 14.8mm
Former Material	: Black Aluminium (BASV)
Layers	: 2
Wire Material	: Copper Clad Aluminium (CCA W)

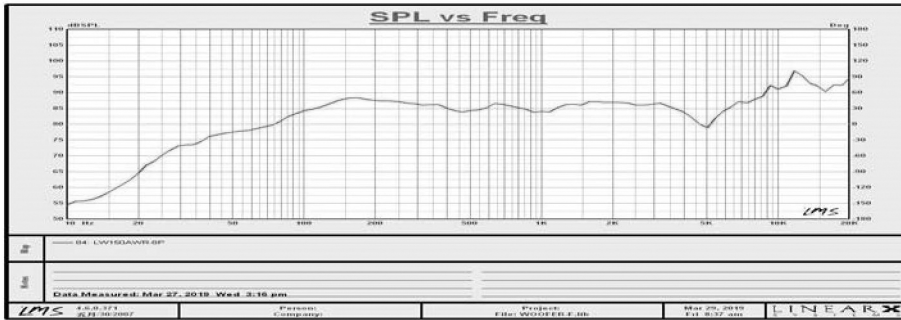
Magnet

Diameter	: 100mm
Height	: 19mm
Weight	: 560 grams
Gap(H)	: 6mm
Material	: Ferrite

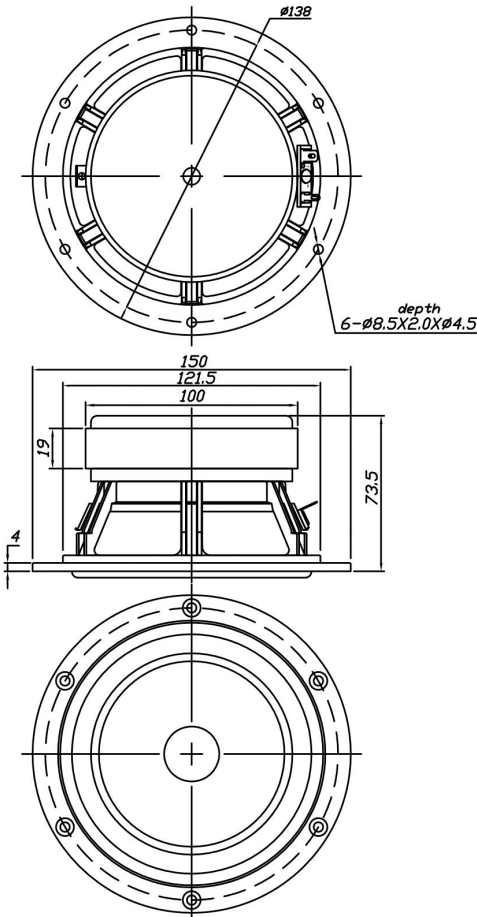
Parameters

Total Q Factor	: Qts: 0.455
Electrical Q Factor	: Qes: 0.554
Mechanical Q Factor	: Qms: 2.556
Equivalent Volume	: Vas: 11.84L
Free Air Resonance	: Fs: 48.3Hz
DC Resistance	: Re: 6.6Ω
Driver Piston Diameter	: D: 105mm
Linear Displacement	: X max: 4.4mm
Suspension Compliance	: Cms: 1.114mm/N
Moving Mass	: Mms: 9.746 grams
BL Product	: BL: 5.935
Sound Pressure Level	: SPL: 85.7dB
Voice Coil Inductance	: Le(1 K): 0.74m/H





Diagram



Dimensions : Millimetres

Part Number Table

Description	Part Number
5" Full Range Speaker with White Aluminium Cone, 15W/30W	MP011860

Important Notice : This data sheet and its contents (the "Information") belong to the members of the AVNET group of companies (the "Group") or are licensed to it. No licence is granted for the use of it other than for information purposes in connection with the products to which it relates. No licence of any intellectual property rights is granted. The Information is subject to change without notice and replaces all data sheets previously supplied. The Information supplied is believed to be accurate but the Group assumes no responsibility for its accuracy or completeness, any error in or omission from it or for any use made of it. Users of this data sheet should check for themselves the Information and the suitability of the products for their purpose and not make any assumptions based on information included or omitted. Liability for loss or damage resulting from any reliance on the Information or use of it (including liability resulting from negligence or where the Group was aware of the possibility of such loss or damage arising) is excluded. This will not operate to limit or restrict the Group's liability for death or personal injury resulting from its negligence. Multicomp Pro is the registered trademark of Premier Farnell Limited 2019.