

DLW32PH122XK2#

“#” indicates a package specification code.

In Production New AEC-Q200 RoHS REACH

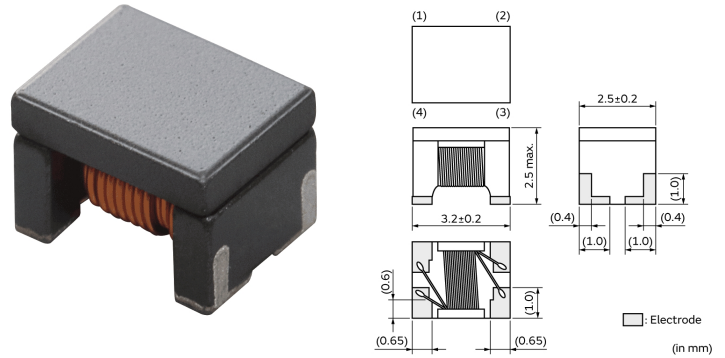
< List of part numbers with package codes >

DLW32PH122XK2B DLW32PH122XK2L

Applications

| | |
|--------------------------|---|
| Unsuitable Applications | Please be sure to read and comply with these "Precautions for use." |
| Specific Applications | Automotive powertrain/safety equipment, Automotive infotainment/comfort equipment, Consumer equipment, Medical equipment [GHTF A/B/C] except for implant & operation & auto-dispenser equipment, Industrial equipment except for transportation & facility & energy equipment Please refer to Our Website and specifications, etc. for information about the performance, functions, quality, management, and safety required for the above applications, and use Products after confirming the performance and reliability of the actual Product. |
| Recommended Applications | Automotive powertrain/safety equipment |

Appearance & Shape



Packaging Information

| Packaging | Specifications | Standard Packing Quantity |
|-----------|---------------------|---------------------------|
| B | Bulk(Bag) | 500 |
| L | 180mm Embossed Tape | 1500 |

Attention

- 1.This datasheet is downloaded from the website of Murata Manufacturing Co., Ltd. Therefore, it's specifications are subject to change or our products in it may be discontinued without advance notice. Please check with our sales representatives or product engineers before ordering.
- 2.This datasheet has only typical specifications because there is no space for detailed specifications. Therefore, please review our product specifications or consult the approval sheet for product specifications before ordering.

DLW32PH122XK2#

“#” indicates a package specification code.

Features

1. It realizes high impedance characteristics at several tens of MHz to several GHz and is suitable for wideband common mode noise removal.
2. Low DC Resistance and a large Rated Current are suitable for common mode noise suppression of the power line.

Attention

1.This datasheet is downloaded from the website of Murata Manufacturing Co., Ltd. Therefore, it's specifications are subject to change or our products in it may be discontinued without advance notice. Please check with our sales representatives or product engineers before ordering.

2.This datasheet has only typical specifications because there is no space for detailed specifications.

Therefore, please review our product specifications or consult the approval sheet for product specifications before ordering.

DLW32PH122XK2#

“#” indicates a package specification code.



Specifications

| | |
|---|--|
| Shape | SMD |
| Size Code (in mm) | 3225 |
| Size Code (in inch) | 1210 |
| Length | 3.2mm |
| Length Tolerance | ±0.2mm |
| Width | 2.5mm |
| Width Tolerance | ±0.2mm |
| Thickness | 2.5mm |
| Thickness Tolerance | max. |
| Common Mode Impedance (at 1GHz) | 900Ω |
| Common Mode Impedance (at 1GHz) Tolerance | (Typ.) |
| Common Mode Impedance (at 100MHz) | 1200Ω |
| Common Mode Impedance (at 100MHz) Tolerance | ±20% |
| Rated Current | 1200mA |
| Derating of Rated Current | Yes (Over 105°C) *For details, please check the derating diagram. |
| Rated Voltage | 60Vdc |
| Withstanding Voltage | 150Vdc |
| DC Resistance(max.) | 0.06Ω |
| DC Resistance | 0.05Ω±20% |
| Insulation Resistance(min.) | 10MΩ |
| Operating Temperature Range | -40°C to 125°C |
| Mass(typ.) | 0.073g |

| | |
|--|--------|
| Number of Circuit | 1 |
| Operating Temperature Range(Self-temperature rise is included) | No |
| Brand | Murata |

Attention

1.This datasheet is downloaded from the website of Murata Manufacturing Co., Ltd. Therefore, it's specifications are subject to change or our products in it may be discontinued without advance notice. Please check with our sales representatives or product engineers before ordering.

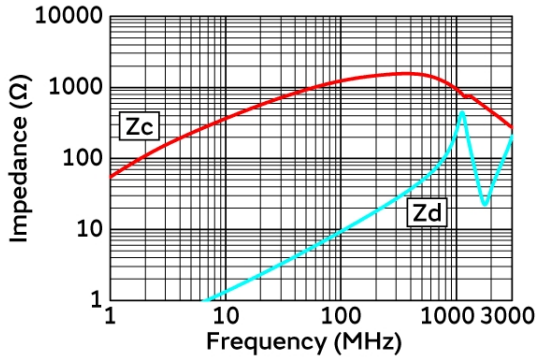
2.This datasheet has only typical specifications because there is no space for detailed specifications.

Therefore, please review our product specifications or consult the approval sheet for product specifications before ordering.

DLW32PH122XK2#

“#” indicates a package specification code.

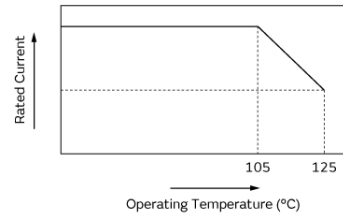
Product Data



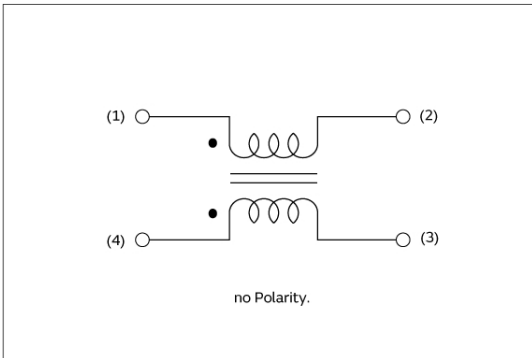
Impedance-Frequency Characteristics

In operating temperature exceeding +105°C, derating of current is necessary for this series. Please apply the derating curve shown in chart according to the operating temperature.

Derating of Rated Current



Derating of Rated Current



Equivalent Circuit

Attention

- 1.This datasheet is downloaded from the website of Murata Manufacturing Co., Ltd. Therefore, it's specifications are subject to change or our products in it may be discontinued without advance notice. Please check with our sales representatives or product engineers before ordering.
- 2.This datasheet has only typical specifications because there is no space for detailed specifications. Therefore, please review our product specifications or consult the approval sheet for product specifications before ordering.