

16 NEK/J 250

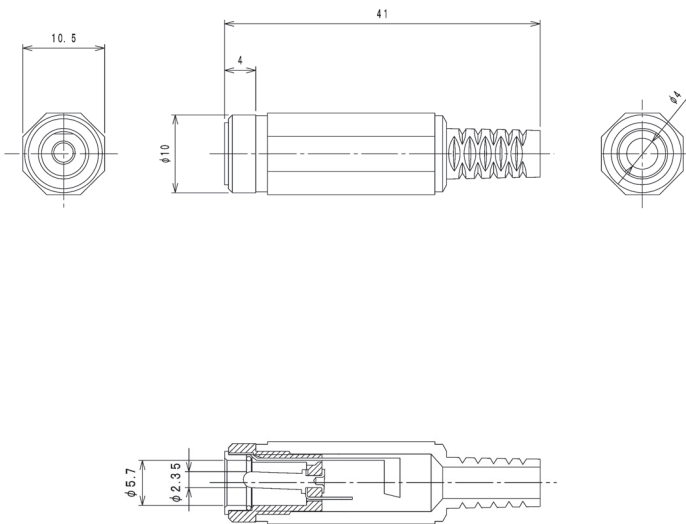
Power supply connectors



Power supply cable socket, straight version, with solder eyes and bend protection

16

NEK/J 250



Environmental conditions

Temperature range -20 °C/+70 °C

Materials

Insulating body	PA, V-2 according to UL94
Contact	CuZn, nickel-plated
Housing	PE

Mechanical data

Diameter opening	5.7 mm
Diameter center pin	2.35 mm
Mating cycles	≥ 5000 ¹
Insertion force	4–20 N (initial value)
Withdrawal force	2–15 N (initial value)

¹ measured with a gauge plug






Connectable conductors for solder area

Cable diameter 4 mm

Electrical data (at T_{amb} 20 °C)

Contact resistance	≤ 30 mΩ
Rated current	2 A
Rated voltage	24 V DC
Rated impulse voltage	500 V/60 s
Insulation resistance	≥ 100 MΩ

Associated products

Counterparts			
 1633 04	 1634 02	 NES/J 25	
 NES/J 250	 XNES/J 250		

16

NEK/J 250

Designation	Pole Number	PU (Pieces)	MDQ (Pieces)
NEK/J 250	2	100	500

Packaging:

in bulk, in a cardboard box or a plastic bag