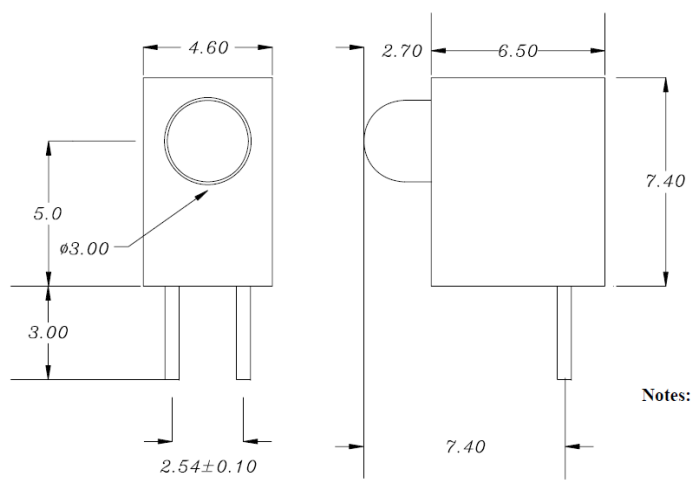


Part Number: 15701004

| Type      | Rating      | Description                      |
|-----------|-------------|----------------------------------|
| LED (3mm) | No Resistor | Status Indicator PCB mount Green |



- Notes: 1. All dimensions are in millimeters (inches).  
 2. Tolerance is  $\pm 0.25\text{mm} (.010\text{'})$  unless otherwise noted.  
 3. Protruded resin under flange is  $1.0\text{mm} (.04\text{'})$  max.  
 4. Lead spacing is measured where the leads emerge from the package.  
 5. Specifications are subject to change without notice.

| Emission Colour | Lens Colour | Forward Voltage (Typ) | Current (dc) | Luminous Intensity (mcd) | Wave Length (nm) | VR Max | IR Max |
|-----------------|-------------|-----------------------|--------------|--------------------------|------------------|--------|--------|
| Green           | Green       | 2.0                   | 20mA         | 50                       | 569              | 5V     | 100mA  |

**Notes:**

1. Electrical & optical data are measured at an ambient temperature of 25°C.
2. Optical data applies to the unmounted LED.
3. Due to component tolerances, colour temperature variations may be observed.
4. RoHS & REACH SVHC compliant.
5. Operating Temperature Range -20°C to +80°C.
6. Storage Temperature Range -35°C to +100°C.