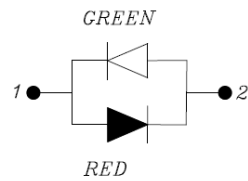
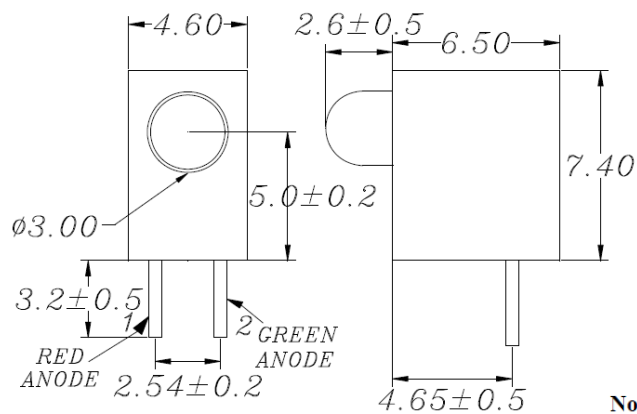


Part Number: 15701005

Type	Rating	Description
LED (3mm)	No Resistor	Status Indicator PCB mount Red/Green



- Notes:**
1. All dimensions are in millimeters (inches).
  2. Tolerance is  $\pm 0.25\text{mm}$  (.010") unless otherwise noted.
  3. Protruded resin under flange is 1.0mm (.04") max.
  4. Lead spacing is measured where the leads emerge from the package.
  5. Specifications are subject to change without notice.

Emission Colour	Lens Colour	Forward Voltage (Typ)	Current (dc)	Luminous Intensity (mcd)	Wave Length (nm)	VR Max	IR Max
Red/Green	White Diffused	2.0/2.0	20mA	350/75	625/570	5V	10mA

**Notes:**

1. Electrical & optical data are measured at an ambient temperature of 25°C.
2. Optical data applies to the unmounted LED.
3. Due to component tolerances, colour temperature variations may be observed.
4. RoHS & REACH SVHC compliant.
5. Operating Temperature Range -20°C to +80 °C.
6. Storage Temperature Range -30°C to +85 °C.