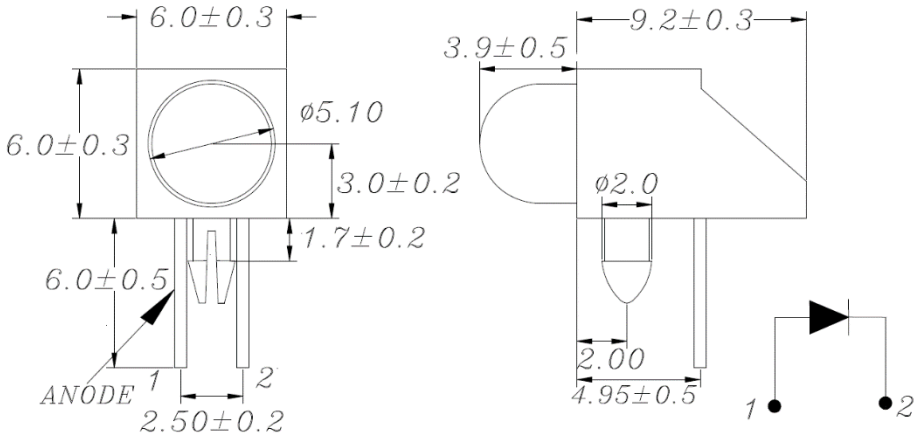


Part Number: 15701008

| Type | Rating | Description |
|-----------|-------------|----------------------------------|
| LED (5mm) | No Resistor | Status Indicator PCB mount Green |



- Notes:**
1. All dimensions are in millimeters (inches).
 2. Tolerance is ±0.25mm(.010") unless otherwise noted.
 3. Protruded resin under flange is 1.0mm(.04") max.
 4. Lead spacing is measured where the leads emerge from the package.
 5. Specifications are subject to change without notice.

| Emission Colour | Lens Colour | Forward Voltage (Typ) | Current (dc) | Luminous Intensity (mcd) | Wave Length (nm) | VR Max | IR Max |
|-----------------|----------------|-----------------------|--------------|--------------------------|------------------|--------|--------|
| Green | Green Diffused | 2.0 | 20mA | 50 | 569 | 5V | 10mA |

Notes:

1. Electrical & optical data are measured at an ambient temperature of 25°C.
2. Optical data applies to the unmounted LED.
3. Due to component tolerances, colour temperature variations may be observed.
4. RoHS & REACH SVHC compliant.
5. Operating Temperature Range -20°C to +80 °C.
6. Storage Temperature Range -30°C to +85 °C.