

Product information

20 06 160

- Flat, short, wide jaws
- Knurled gripping surfaces
- Special tool steel, forged, oil-hardened

Flat Nose Pliers

DIN ISO 5745 IEC 60900 DIN EN 60900

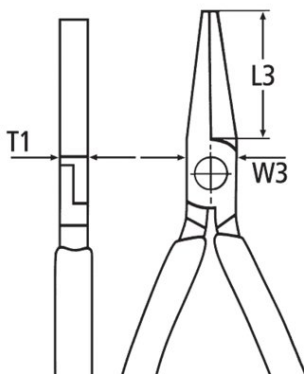


General

Article No.	20 06 160
EAN	4003773033783
Pliers	chrome-plated
Head	chrome-plated
Handles	insulated with multi-component grips, VDE-tested
Weight	176 g
Dimensions	160 x 54 x 20 mm
Standard	DIN ISO 5745 DIN EN 60900 IEC 60900
REACH compliant	does not contain SVHC
RoHS compliant	not applicable

Technical details

Jaw thickness (joint) (T1)	9.5 mm
Jaw length (L3)	30.0 mm
Head width (W3)	17.0 mm
VDE tested	yes



technical change and errors excepted

