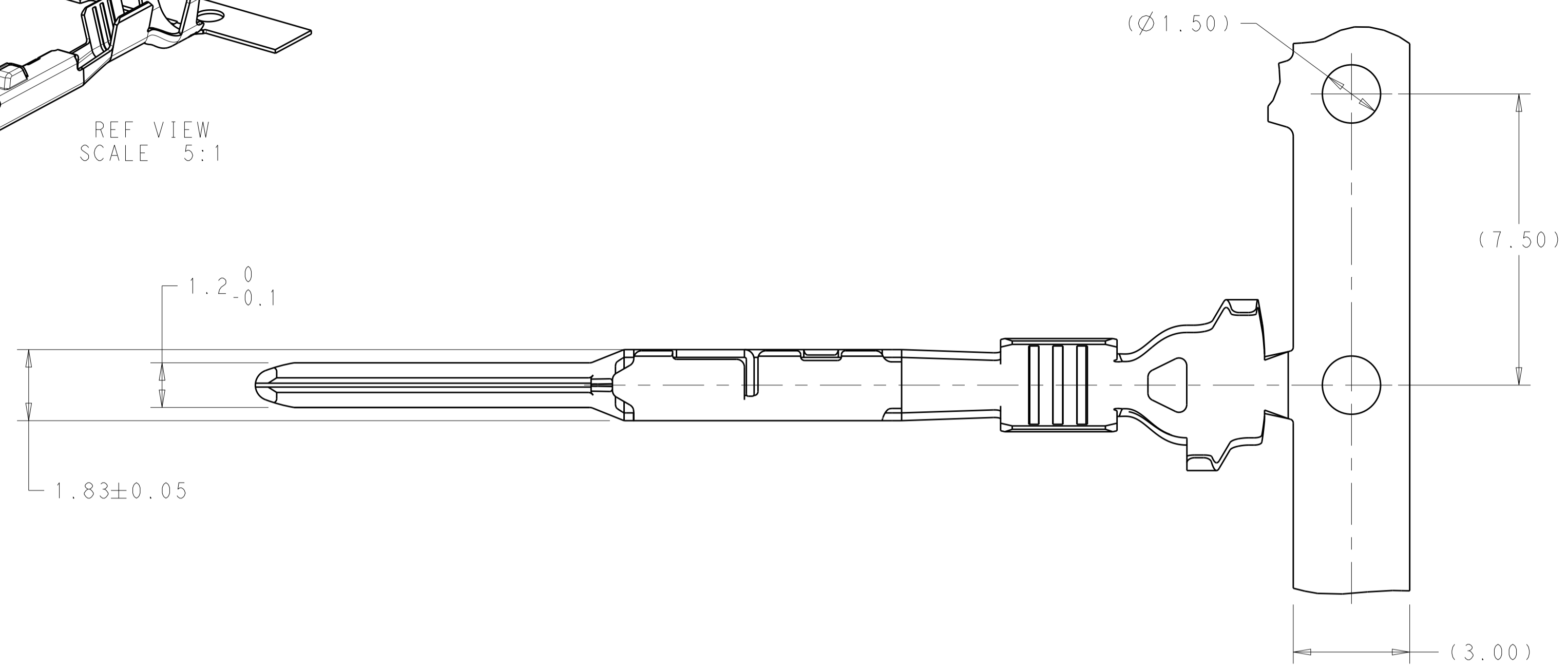
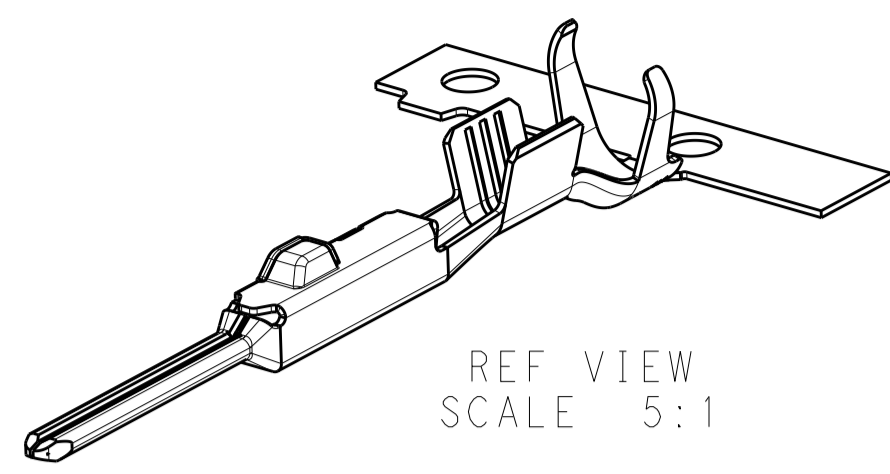


LOC		DIST		REVISIONS			
IN	00	P	LTN	DESCRIPTION	DATE	DWN	APVD
		A		REV PER ECO-17-009112	24JUL2017	HM	CR
		A1		REV PER ECO-19-008549	08JUL2019	SY	CR



- △ COPPER ALLOY
- △ PRE-PLATED WITH 1.0µm MIN TIN
- 3. TERMINAL DESIGNED TO BE USED WITH SINGLE WIRE SEAL. SEE APPLICATION SPEC 114-32121 FOR PART NUMBERS
- 4. MAX 9 TERMINALS MISSING PER REEL PERMITTED
- 5. 3 LOOSE SPLICES PER REEL ALLOWED
- 6. SEE APPLICATION SPEC 114-32121 FOR ALLOWABLE INSULATION O.D.
- ⓐ1 7. TERMINAL IS QUALIFIED TO GMW3191 T3(-40°C TO 125°C) AND V1(SEALED ON BODY SPRUNG MASS)

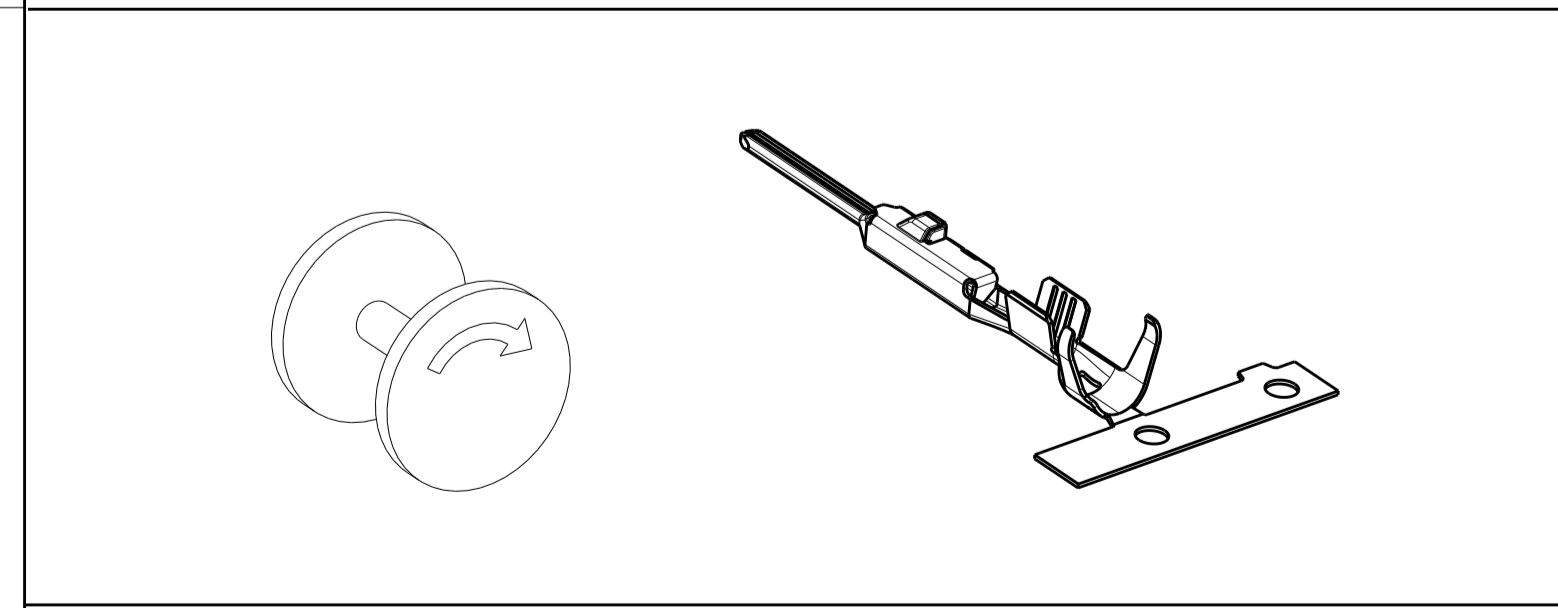
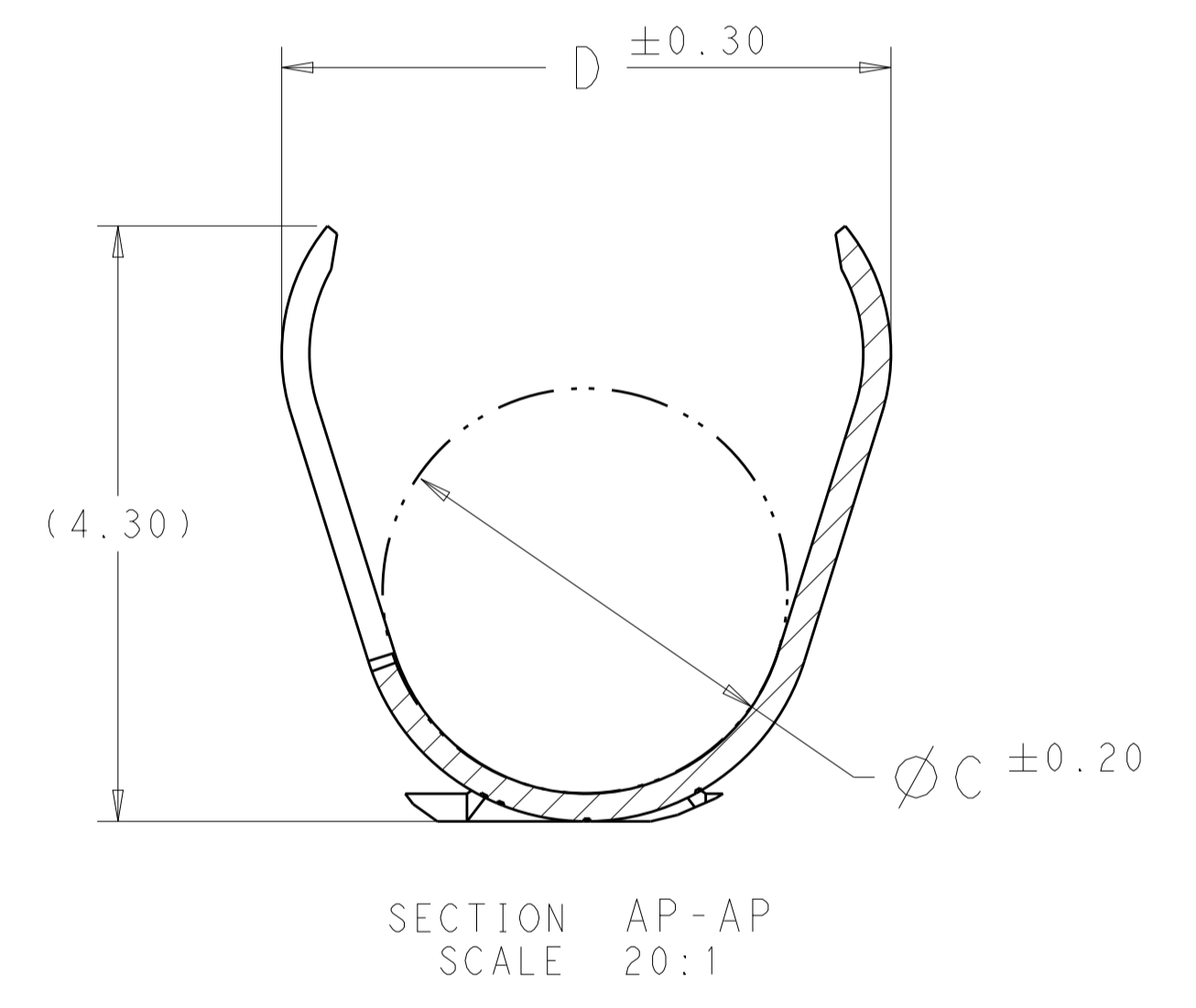
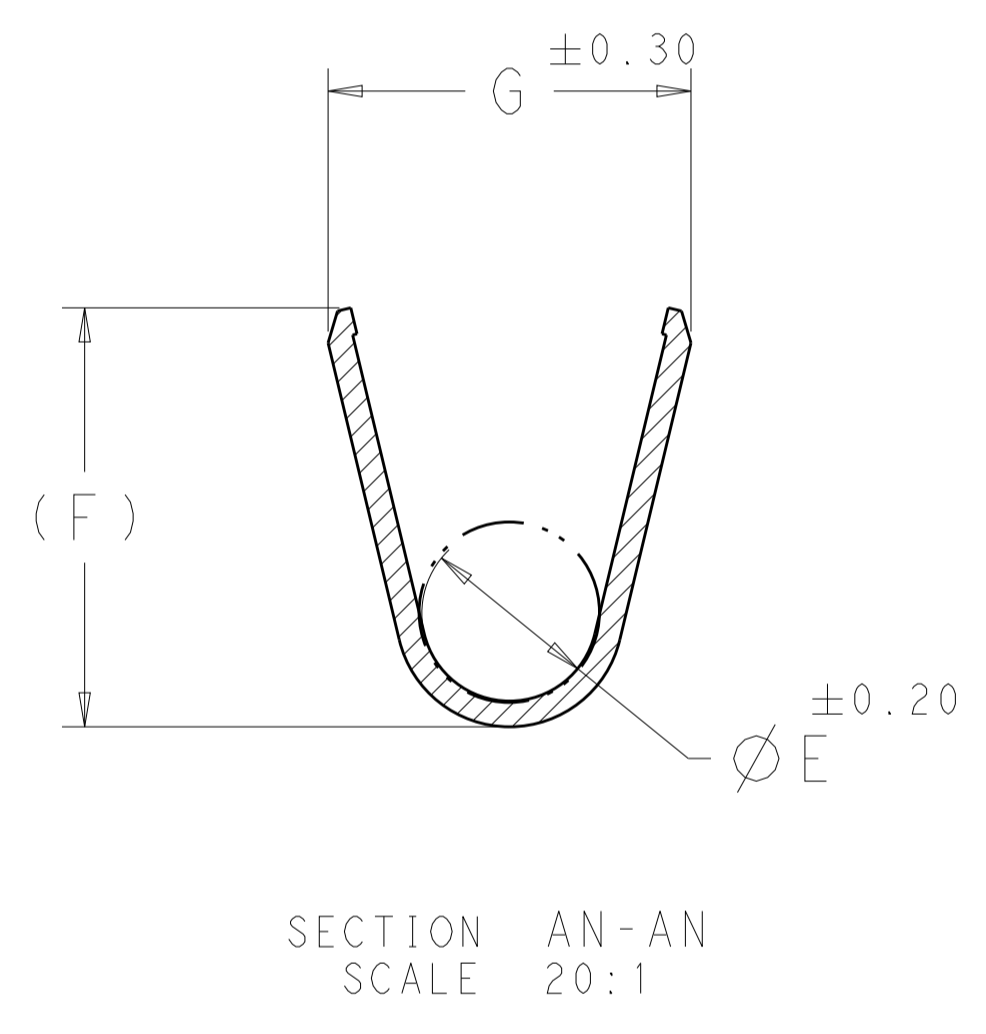
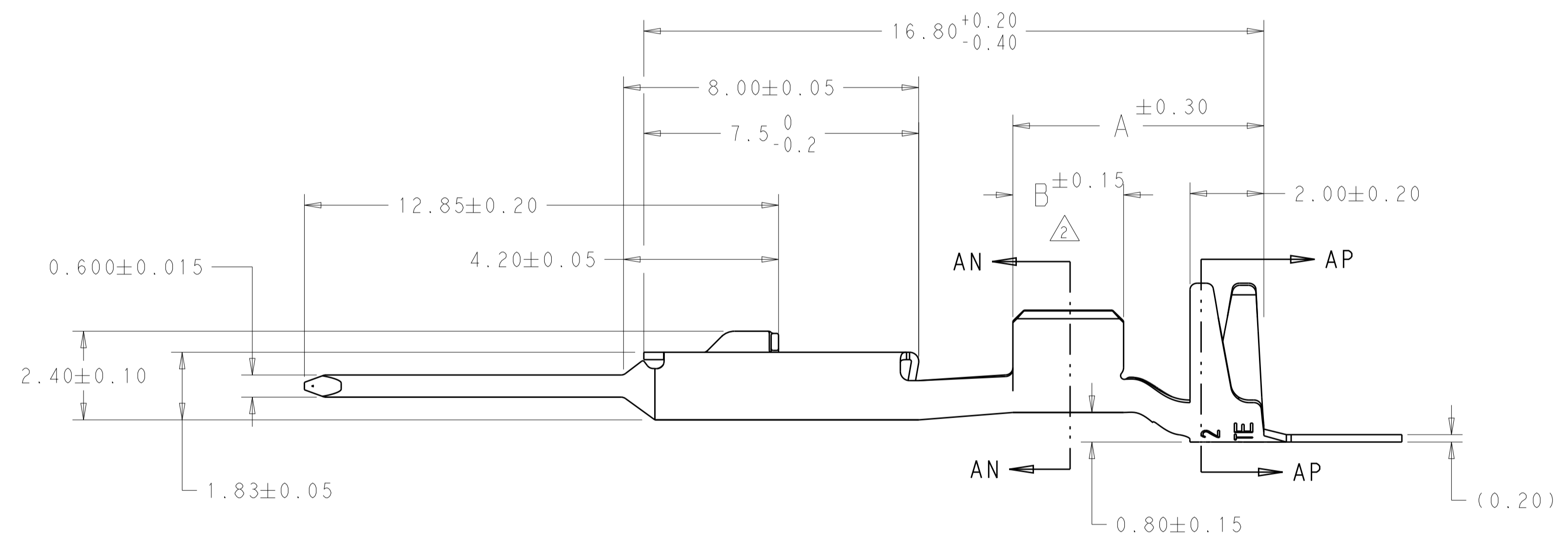


FIG 1  
REELING DIRECTION  
SCALE 3:1

0.220	FIG 1	1.80	1.80	0.80	4.20	2.60	2.60	6.40	0.35mm <sup>2</sup>	2321538-3
0.230	FIG 1	2.00	2.10	1.10	4.20	2.70	3.00	6.80	0.50mm <sup>2</sup>	2321538-2
0.235	FIG 1	2.40	2.77	1.10	4.40	2.90	3.00	6.80	0.75mm <sup>2</sup> TO 1.0mm <sup>2</sup>	2321538-1
WEIGHT (GRAMS)	REELING	G	F	E	D	C	B	A	WIRE SIZE	PART NO

THIS DRAWING IS A CONTROLLED DOCUMENT.

DIMENSIONS:	TOLERANCES UNLESS OTHERWISE SPECIFIED:	DWN H. MOLL 24JUL2017	TE Connectivity TAB TERMINAL, TIN PLATED, SINGLE WIRE SEAL, MCON MONO 1.2
mm	0 PLC ±	CHK C. RAYBOLD 24JUL2017	
	1 PLC ±	APVD C. RAYBOLD 24JUL2017	
	2 PLC ±	PRODUCT SPEC 108-32199 (A1)	
MATERIAL	FINISH	WEIGHT SEE TABLE A100779C=2321538	RESTRICTED TO
		CUSTOMER DRAWING	SCALE 10:1 SHEET 1 OF 1 REV A1