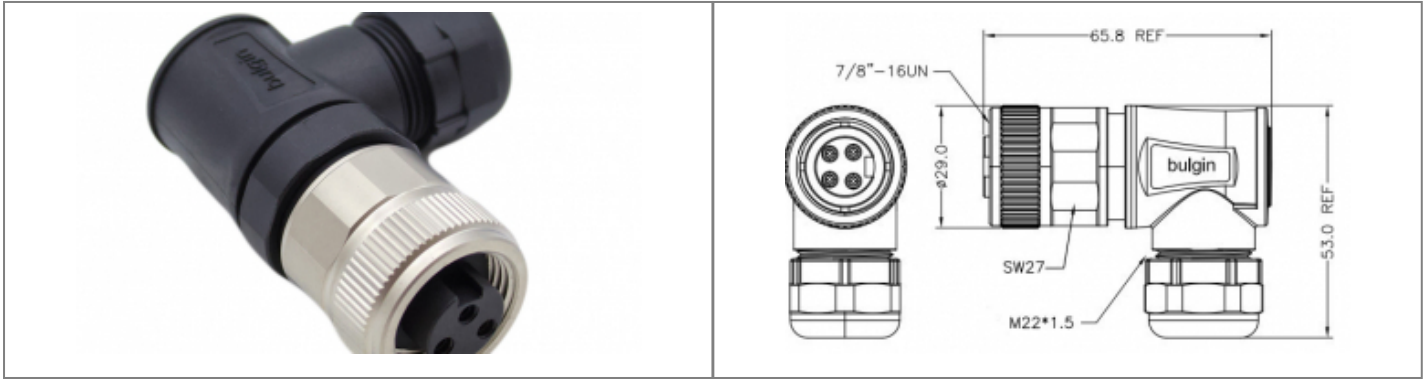


# PXPTPU78RAF03ASTM22 Datasheet

## Product Name // 3 Contacts 7/8" Right-Angled Female Connector

[View Product Page](#)


### // Product Description:

- ⬢ 3 Contacts 7-8" Right-Angled Female Connector
- ⬢ IP67 rated when mated
- ⬢ Mechanical Cycles >100
- ⬢ Operating Temperature -25Â°C to +85Â°C
- ⬢ Rated Voltage 300 V
- ⬢ ROHS compliance
- ⬢ ROHS compliance

### // General Information:

Product Display Title:	7/8" Right Angled Female Connector
Product Family:	Circular Automation Connectors
Product Series:	7/8" Series
Connection Method:	Screw
Contact Pin Material:	Phosphor bronze gold plated 1u"
Min Coupling Torque:	0.4Nm
Max Coupling Torque:	0.8Nm
Contact Type:	Socket Contact
Current Max:	12A
Durability:	>100 Cycles
Function:	Right Angled Female Connector
Insulation Resistance:	>100MOhm
Ip Rating:	IP67
Max Cable Entry Size:	12mm
Min Cable Entry Size:	6mm
Max Operating Temperature:	+85°C
Min Operating Temperature:	-25°C
Nominal Cross Sectional Area Mm2:	1.5mm2
Number Of Contacts:	3 Contacts
Pin Layout Code:	A Code
Rohs Compliant:	Yes
Thread Size:	M22
Voltage Max:	300V

### // Product PDF Links

[78 Series Circular connectors...](#)


Have a question or project enquiry  
you'd like to talk to us about?



[Click Here To Contact Us](#)