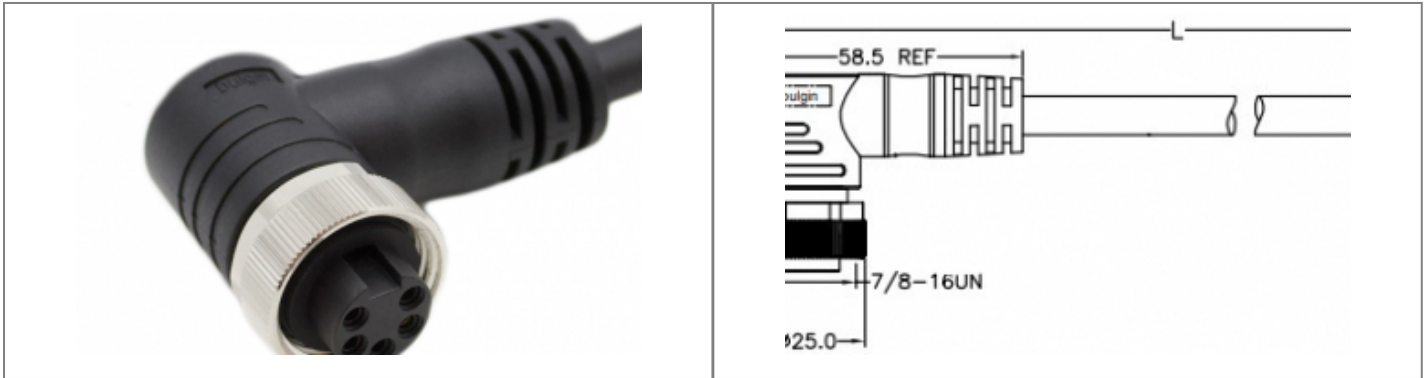


PXPTPU78RAF05ACL010PUR Datasheet

Product Name // 5 Contacts 7/8" Right Angled Female 1m Cable

[View Product Page](#)



// Product Description:

- ⊞ 5 Contacts 7-8" Right Angled Female 1m Cable
- ⊞ IP67 rated when mated
- ⊞ Mechanical Cycles >100
- ⊞ Operating Temperature= -25Å°C to +85Å°C
- ⊞ Rated Voltage 300 V
- ⊞ ROHS compliance

// General Information:

Product Display Title:	7/8" Right Angled Female 1m Cable
Product Family:	Circular Automation Connectors
Product Series:	7/8" Series
Cable Length:	1m
Connection Method:	Solder
Contact Type:	Socket Contact
Current Max:	9A
Durability:	>100 Cycles
Function:	Right Angled Female Connector Single Ended Cable
Insulation Resistance:	>100MΩ
Ip Rating:	IP67
Max Cable Entry Size:	8.5mm
Max Operating Temperature:	+80°C
Min Operating Temperature:	-25°C
Number Of Contacts:	5 Contacts
Pin Layout Code:	A Code
Rohs Compliant:	Yes
Thread Size:	7/8-16UN
Voltage Max:	300V

// Product PDF Links

[78 Series Circular connectors...](#)



Have a question or project enquiry
you'd like to talk to us about?



[Click Here To Contact Us](#)