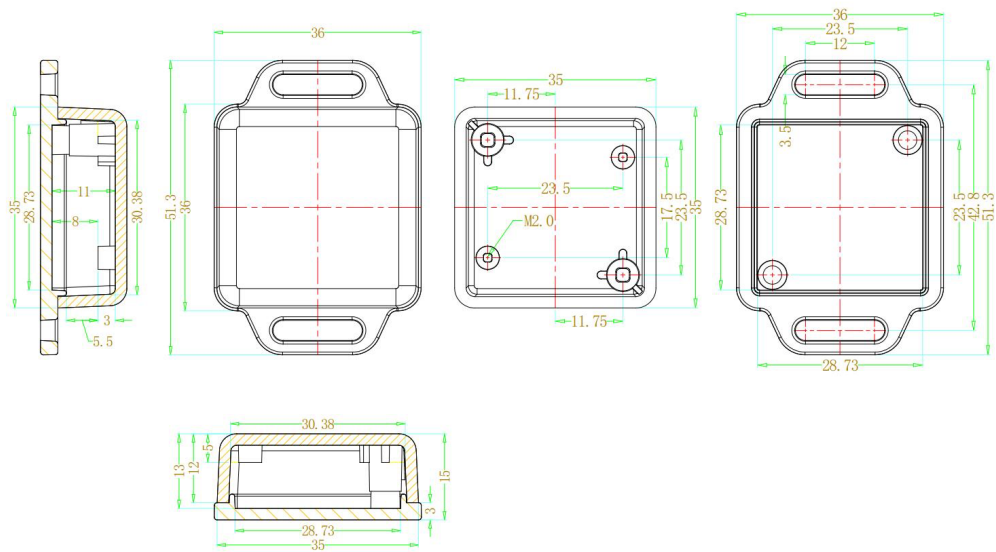


INTRODUCTION

Put on a sturdy and beautiful enclosure for your electronic project!

This project box is made from high-quality ABS material, and the surface of the enclosure is sandblasted. There are screws in the package for convenient installation. Aside from that, the “ears” on the enclosure allow you to easily fix it on other objects. This project box is suitable for [Beetle](#) and other boards with smaller size.



SPECIFICATION

- Material: ABS
- Environment Temperature: ABS (-45~85)
- Weight: 10g

DOCUMENTS

- [Dimension](#)

SHIPPING LIST

- Plastic Project Box Enclosure-1.42 x 1.42 x 0.59 inch x1