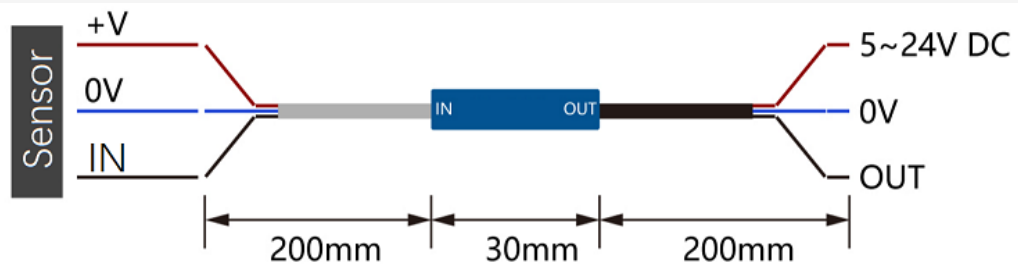


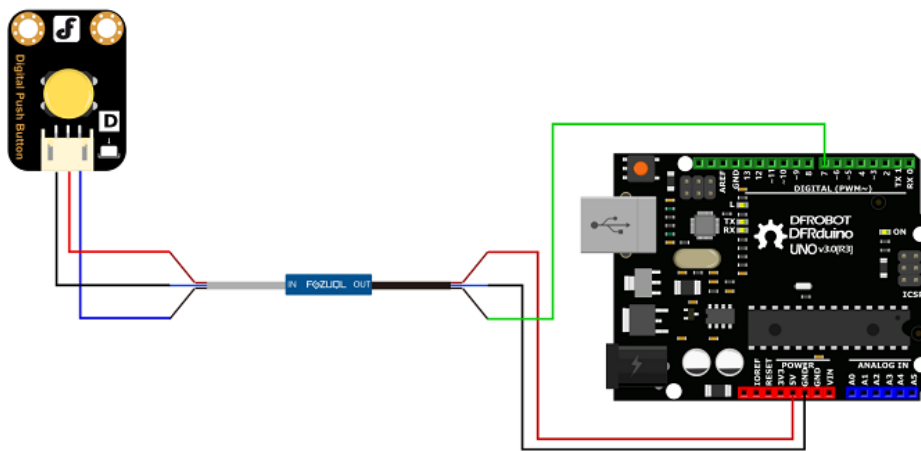
INTRODUCTION

If sensors are used in your equipment or control systems, having these signal converter modules like this NPN to PNP converter readily available could effectively eliminate the last-minute problems that you encounter when your controller and the type of sensor you are using have a mismatched signal.

This signal converter is designed to convert NPN signal to PNP and is equipped with surge absorption and over-current protection to further protect your device.



Pinout



Connection Diagram

SPECIFICATION

- Working Voltage: 5~24V DC
- Current Protection: Overcurrent protection, surge absorption
- Load Current: 100mA max
- Operating Temperature: -20~70
- Operating Humidity: 35~85%RH

- Response Time: 1us
- Model: BM-NP
- Conversion: NPN.NO-PNP.NO

DOCUMENTS

- [Product wiki](#)

SHIPPING LIST

- NPN to PNP Converter x1
- Wire Connector x1