

2312212-1 ✓ ACTIVE

TE Internal #: 2312212-1

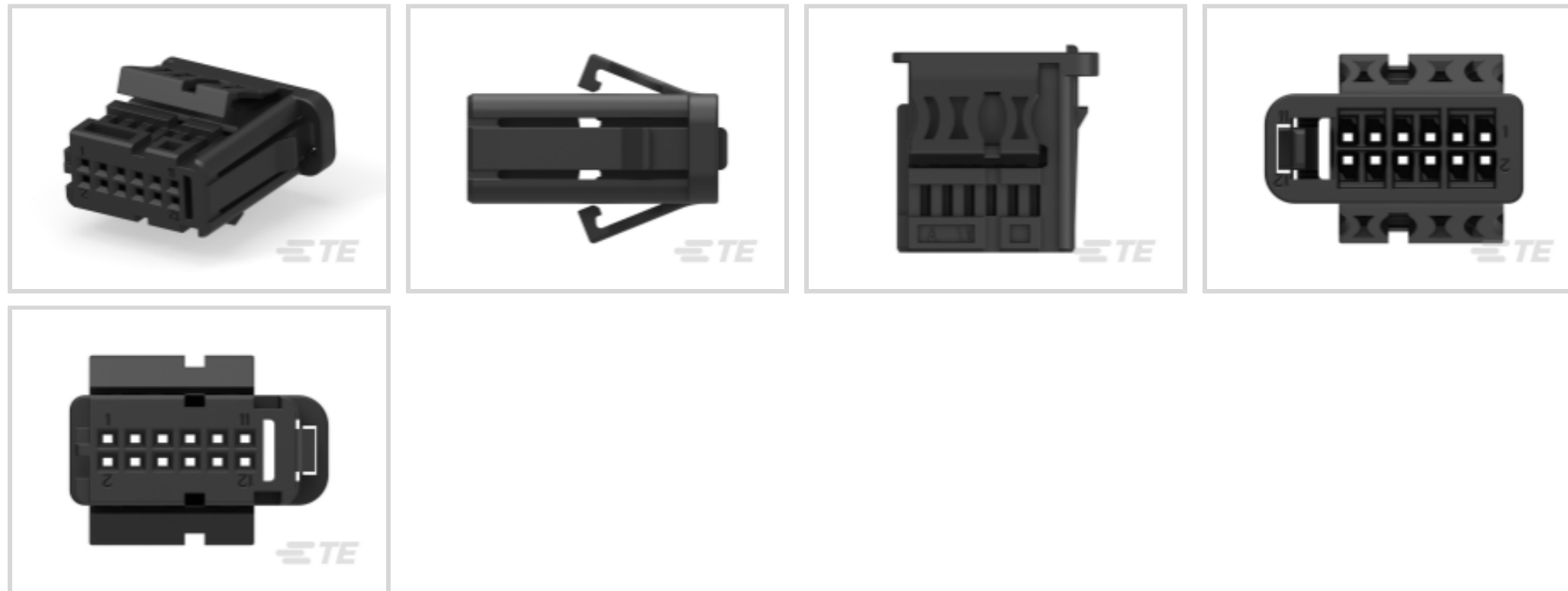
Receptacle, Cable-to-Cable / Cable-to-Board, 12 Position, 1.8 mm

Centerline, Black, Wire & Cable, Signal, Cable Mount (Free-Hanging), -40 – 105 °C

[View on TE.com >](#)



Connectors > Automotive Connectors > Automotive Housings



Connector System: **Cable-to-Board, Cable-to-Cable**

Number of Positions: **12**

Connector & Housing Type: **Receptacle**

Centerline (Pitch): **1.8 mm**

Sealable: **No**

Features

Product Type Features

Mixed & Hybrid Connector	No
Connector Shape	Rectangular
Connector System	Cable-to-Board, Cable-to-Cable
Connector & Housing Type	Receptacle
Sealable	No
Connector & Contact Terminates To	Wire & Cable
Primary Locking Feature	Locking Lance

Configuration Features

Number of Positions	12
Number of Rows	2

Electrical Characteristics

Nominal Voltage Architecture	12 V
------------------------------	------

Body Features

Primary Product Color	Black
-----------------------	-------



Connector & Keying Code	A
-------------------------	---

Contact Features

Contact Size	.4mm, .5mm
Contact Type	Receptacle
Mating Tab Width	.5 mm
Contact Current Rating (Max)	3 A

Mechanical Attachment

Mating Alignment Type	Keyed
Mating Alignment	With
Connector Mounting Type	Cable Mount (Free-Hanging)

Housing Features

Housing Material	PBT GF10
Centerline (Pitch)	1.8 mm

Usage Conditions

Operating Temperature (Max)	105 °C
Operating Temperature Range	-40 – 105 °C

Operation/Application

Circuit Application	Signal
---------------------	--------

Other

Connector Position Assurance Capable	No
--------------------------------------	----

Product Compliance

[For compliance documentation, visit the product page on TE.com>](#)

EU RoHS Directive 2011/65/EU	Compliant
EU ELV Directive 2000/53/EC	Compliant
China RoHS 2 Directive MIIT Order No 32, 2016	No Restricted Materials Above Threshold
EU REACH Regulation (EC) No. 1907/2006	Current ECHA Candidate List: JUNE 2023 (235) Candidate List Declared Against: JUNE 2023 (235) Does not contain REACH SVHC
Halogen Content	Low Halogen - Br, Cl, F, I < 900 ppm per homogenous material. Also BFR/CFR/PVC Free



Solder Process Capability

Not reviewed for solder process capability

Product Compliance Disclaimer

This information is provided based on reasonable inquiry of our suppliers and represents our current actual knowledge based on the information they provided. This information is subject to change. The part numbers that TE has identified as EU RoHS compliant have a maximum concentration of 0.1% by weight in homogenous materials for lead, hexavalent chromium, mercury, PBB, PBDE, DBP, BBP, DEHP, DIBP, and 0.01% for cadmium, or qualify for an exemption to these limits as defined in the Annexes of Directive 2011/65/EU (RoHS2). Finished electrical and electronic equipment products will be CE marked as required by Directive 2011/65/EU. Components may not be CE marked. Additionally, the part numbers that TE has identified as EU ELV compliant have a maximum concentration of 0.1% by weight in homogenous materials for lead, hexavalent chromium, and mercury, and 0.01% for cadmium, or qualify for an exemption to these limits as defined in the Annexes of Directive 2000/53/EC (ELV). Regarding the REACH Regulation, the information TE provides on SVHC in articles for this part number is based on the latest European Chemicals Agency (ECHA) 'Guidance on requirements for substances in articles' posted at this URL: <https://echa.europa.eu/guidance-documents/guidance-on-reach>

Compatible Parts



TE Part # CAT-M8793-T273
MQS, RECEPTACLE AND TAB



TE Part # 2317507-1
2X6POS,NANOMQS,HDR ASSY,
90DEG,SMD,COD A

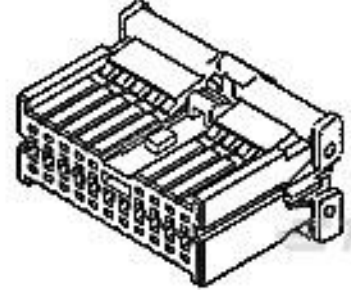


TE Part # 2317527-1
2X6POS,NANOMQS,HDR ASSY,
180DEG,SMD,COD A

Customers Also Bought



TE Part #1813967-1
MQS, CONNECTOR HOUSING



TE Part #1123375-3
040 MLC PLUG HSG ASSY 16P



TE Part #2137182-1
2Pos MCP6.3 Plug HSG



TE Part #2-2236896-1
2POS, MCON 1.2 LL REC SEALED



TE Part #2208304-2
8POS,MQS,REC HSG,WITH SB,ASSY



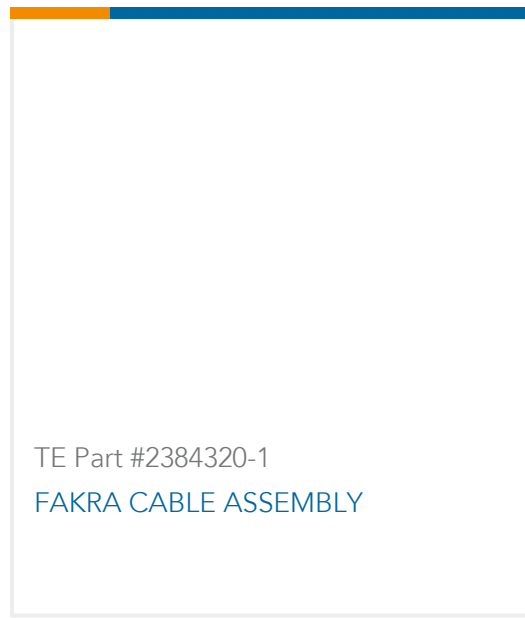
TE Part #2385463-1
22POS,HYBRID,TAB HSG ASSY,SLD,
COD A



TE Part #2387305-2
16POS,TAB0.5X0.4,HDR ASSY,90DEG,
COD B



TE Part #1-2327104-4
52POS,HYBRID,REC HSG ASSY,UNSLD



Documents

Product Drawings

[12POS,NANOMQS,REC HSG,COD A](#)

English

CAD Files

[3D PDF](#)

3D

Customer View Model

[ENG_CVM_CVM_2312212-1_A.2d_dxf.zip](#)

English

Customer View Model

[ENG_CVM_CVM_2312212-1_A.3d_igs.zip](#)

English

Customer View Model

[ENG_CVM_CVM_2312212-1_A.3d_stp.zip](#)

English

By downloading the CAD file I accept and agree to the [Terms and Conditions](#) of use.

Product Specifications

[Application Specification](#)

English

[Application Specification](#)

English