

2333103-1 ✓ ACTIVE

TE Internal #: 2333103-1

Housing for Female Terminals, Wire-to-Board / Wire-to-Wire, 3 Position, .07 in [1.8 mm] Centerline, Black, Wire & Cable, Signal

[View on TE.com >](#)



Connectors > Automotive Connectors > Automotive Housings



Connector System: **Wire-to-Board, Wire-to-Wire**

Number of Positions: **3**

Connector & Housing Type: **Housing for Female Terminals**

Centerline (Pitch): **1.8 mm [.07 in]**

Sealable: **No**

Features

Product Type Features

| | |
|-----------------------------------|------------------------------|
| Mixed & Hybrid Connector | No |
| Connector Shape | Rectangular |
| Connector System | Wire-to-Board, Wire-to-Wire |
| Connector & Housing Type | Housing for Female Terminals |
| Sealable | No |
| Connector & Contact Terminates To | Wire & Cable |
| Primary Locking Feature | Locking Lance |

Configuration Features

| | |
|---------------------|---|
| Number of Positions | 3 |
| Number of Rows | 1 |

Electrical Characteristics

| | |
|------------------------------|------------|
| Nominal Voltage Architecture | 12 V, 24 V |
|------------------------------|------------|

Body Features

| | |
|-------------------------|-------|
| Primary Product Color | Black |
| Connector & Keying Code | A |



Contact Features

| | |
|------------------------------|----------------|
| Contact Size | .5mm |
| Contact Type | Receptacle |
| Mating Tab Width | .5 mm[.019 in] |
| Contact Current Rating (Max) | 3 A |

Mechanical Attachment

| | |
|-------------------------|----------------------------|
| Mating Alignment Type | Keyed |
| Mating Alignment | With |
| Connector Mounting Type | Cable Mount (Free-Hanging) |

Housing Features

| | |
|--------------------|----------------|
| Centerline (Pitch) | 1.8 mm[.07 in] |
|--------------------|----------------|

Usage Conditions

| | |
|-----------------------------|----------------------------|
| Operating Temperature (Max) | 105 °C[221 °F] |
| Operating Temperature Range | -40 – 105 °C[-40 – 221 °F] |

Operation/Application

| | |
|---------------------|--------|
| Circuit Application | Signal |
|---------------------|--------|

Other

| | |
|--------------------------------------|-----|
| Connector Position Assurance Capable | Yes |
|--------------------------------------|-----|

Product Compliance

[For compliance documentation, visit the product page on TE.com>](#)

| | |
|---|---|
| EU RoHS Directive 2011/65/EU | Compliant |
| EU ELV Directive 2000/53/EC | Compliant |
| China RoHS 2 Directive MIIT Order No 32, 2016 | No Restricted Materials Above Threshold |
| EU REACH Regulation (EC) No. 1907/2006 | Current ECHA Candidate List: JUNE 2023 (235) Candidate List Declared Against: JUNE 2023 (235) Does not contain REACH SVHC |
| Halogen Content | BFR/CFR/PVC Free, but Br/Cl >900 ppm in other sources. |
| Solder Process Capability | Not reviewed for solder process capability |

Product Compliance Disclaimer



This information is provided based on reasonable inquiry of our suppliers and represents our current actual knowledge based on the information they provided. This information is subject to change. The part numbers that TE has identified as EU RoHS compliant have a maximum concentration of 0.1% by weight in homogenous materials for lead, hexavalent chromium, mercury, PBB, PBDE, DBP, BBP, DEHP, DIBP, and 0.01% for cadmium, or qualify for an exemption to these limits as defined in the Annexes of Directive 2011/65/EU (RoHS2). Finished electrical and electronic equipment products will be CE marked as required by Directive 2011/65/EU. Components may not be CE marked. Additionally, the part numbers that TE has identified as EU ELV compliant have a maximum concentration of 0.1% by weight in homogenous materials for lead, hexavalent chromium, and mercury, and 0.01% for cadmium, or qualify for an exemption to these limits as defined in the Annexes of Directive 2000/53/EC (ELV). Regarding the REACH Regulation, the information TE provides on SVHC in articles for this part number is based on the latest European Chemicals Agency (ECHA) 'Guidance on requirements for substances in articles' posted at this URL: <https://echa.europa.eu/guidance-documents/guidance-on-reach>

Compatible Parts



TE Part # CAT-M8793-T273
MQS, RECEPTACLE AND TAB



TE Part # 2314505-1
5POS,TAB0.5X0.4,HDR ASSY,180DEG, COD A



TE Part # 2315407-1
5POS,TAB0.5X0.4,HDR ASSY,90DEG, COD A

Customers Also Bought



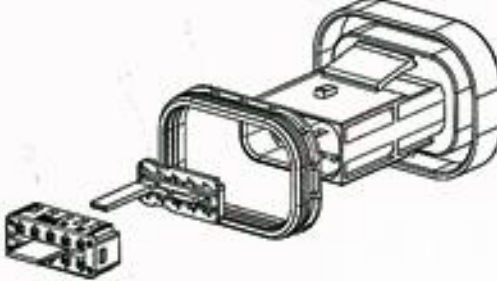
TE Part #1379678-1
TH/.025 CONNECTOR SYSTEM, HOUSING




TE Part #936242-1
090III 8P CAP ASSY



TE Part #2299450-1
14P TAB HOUSING ASSY



TE Part #1801610-1
BULK HEAD, MCON, 10W, CLIPPED



TE Part #2295167-1
22POS,0.64 MALE GEN. Y,TABHSG, ASSY,SLD



TE Part #2309873-1
6POS,NANOMQS,REC HSG ASSY, COD A



TE Part #2312110-1
10POS,NANOMQS,REC HSG ASSY, COD A



TE Part #2324321-1
025 REC CONTACT



Documents

Product Drawings

[3POS,NANOMQS,REC HSG ASSY,COD A](#)

English

CAD Files

[3D PDF](#)

3D

Customer View Model

[ENG_CVM_CVM_2333103-1_A.2d_dxf.zip](#)

English

Customer View Model

[ENG_CVM_CVM_2333103-1_A.3d_igs.zip](#)

English

Customer View Model

[ENG_CVM_CVM_2333103-1_A.3d_stp.zip](#)

English

By downloading the CAD file I accept and agree to the [Terms and Conditions](#) of use.

Product Specifications

[Application Specification](#)

English