

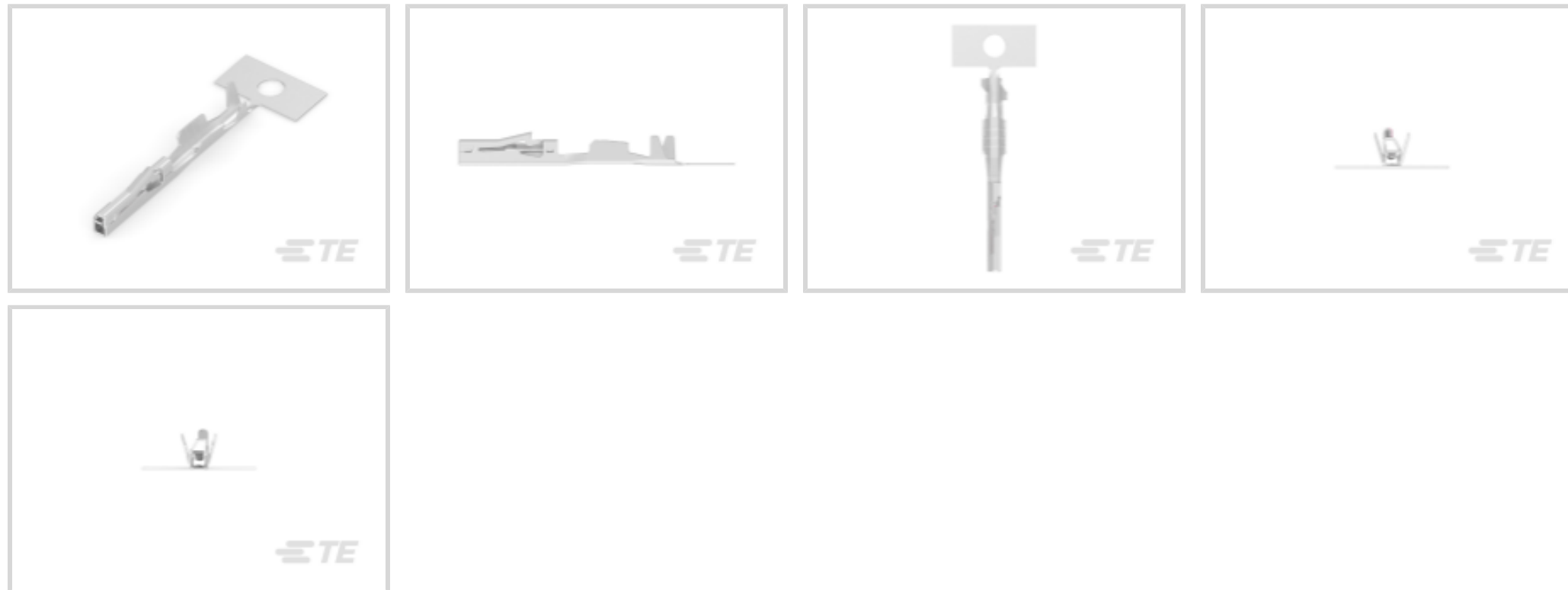


TE Internal #: 2-1703930-4

Automotive Terminals, Receptacle, Mating Tab Width .5 mm [.02 in], Tab Thickness .4 mm [.016 in], 24 – 22 AWG Wire Size, .22 – .35 mm² Wire Size

[View on TE.com >](#)

Terminals & Splices > Automotive Terminals



Terminal Type: **Receptacle**

Mating Tab Width: **.5 mm [.02 in]**

Mating Tab Thickness: **.4 mm [.016 in]**

Terminal Transmits: **0 – 24 A (Low Power)**

Wire Size: **24 – 22 AWG**

Features

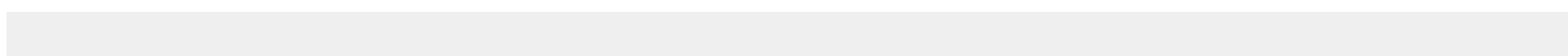
Product Type Features

| | |
|-------------------------|---------------|
| Receptacle Style | 180° |
| Sealable | No |
| Primary Locking Feature | Locking Lance |

Contact Features

| | |
|--|------------------|
| Contact Size | .5mm |
| Contact Fabrication | Stamped & Formed |
| Wire Contact Termination Area Plating Material | Tin |
| Typical Current Rating | 3 A |
| Crimp Type | F-Crimp |
| Terminal Type | Receptacle |
| Mating Tab Width | .5 mm [.02 in] |
| Mating Tab Thickness | .4 mm [.016 in] |
| Interface Plating | Tin (Sn) |

Termination Features





| | |
|------------------------------------|-------|
| Termination Method to Wire & Cable | Crimp |
| Product Terminates To | Wire |

Dimensions

| | |
|--------------------------------------|-------------------------------|
| Compatible Insulation Diameter Range | .95 – 1.3 mm [.037 – .051 in] |
| Wire Size | .22 – .35 mm ² |
| Wire Size Search | 22 AWG, 23 AWG, 24 AWG |

Usage Conditions

| | |
|-----------------------------|--|
| Insulation Option | Uninsulated |
| Operating Temperature (Max) | 80 °C, 85 °C, 90 °C, 100 °C, 105 °C, 110 °C, 120 °C, 125 °C, 130 °C [176 °F][185 °F][194 °F][212 °F][221 °F][230 °F][248 °F][257 °F][266 °F] |
| Operating Temperature Range | -40 – 130 °C [-40 – 266 °F] |

Operation/Application

| | |
|---|-----------------------------------|
| Conforms to KOMAX Automatic Component Insertion Guideline | Yes, per Version 5.0 (March 2018) |
| Compatible With Wire Base Material | Copper |

Industry Standards

| | |
|-----------------|-------|
| Agency/Standard | LV214 |
|-----------------|-------|

Packaging Features

| | |
|--------------------|-------|
| Packaging Quantity | 17000 |
| Packaging Method | Reel |

Other

| | |
|--------------------|----------------------|
| Terminal Transmits | 0 – 24 A (Low Power) |
|--------------------|----------------------|

Product Compliance

[For compliance documentation, visit the product page on TE.com>](#)

| | |
|---|---|
| EU RoHS Directive 2011/65/EU | Compliant |
| EU ELV Directive 2000/53/EC | Compliant |
| China RoHS 2 Directive MIIT Order No 32, 2016 | No Restricted Materials Above Threshold |
| EU REACH Regulation (EC) No. 1907/2006 | Current ECHA Candidate List: JUNE 2023 (235) Candidate List Declared Against: JUNE 2023 (235) Does not contain REACH SVHC |
| Halogen Content | Low Halogen - Br, Cl, F, I < 900 ppm per |

homogenous material. Also BFR/CFR/PVC Free

Solder Process Capability

Not reviewed for solder process capability

Product Compliance Disclaimer

This information is provided based on reasonable inquiry of our suppliers and represents our current actual knowledge based on the information they provided. This information is subject to change. The part numbers that TE has identified as EU RoHS compliant have a maximum concentration of 0.1% by weight in homogenous materials for lead, hexavalent chromium, mercury, PBB, PBDE, DBP, BBP, DEHP, DIBP, and 0.01% for cadmium, or qualify for an exemption to these limits as defined in the Annexes of Directive 2011/65/EU (RoHS2). Finished electrical and electronic equipment products will be CE marked as required by Directive 2011/65/EU. Components may not be CE marked. Additionally, the part numbers that TE has identified as EU ELV compliant have a maximum concentration of 0.1% by weight in homogenous materials for lead, hexavalent chromium, and mercury, and 0.01% for cadmium, or qualify for an exemption to these limits as defined in the Annexes of Directive 2000/53/EC (ELV). Regarding the REACH Regulation, the information TE provides on SVHC in articles for this part number is based on the latest European Chemicals Agency (ECHA) 'Guidance on requirements for substances in articles' posted at this URL: <https://echa.europa.eu/guidance-documents/guidance-on-reach>

Compatible Parts



TE Part # 1-1579028-0
EXTRACTION TOOL



TE Part # 1-2236905-1
NANO TAB 0.5X0.4,TERMINAL



TE Part # 1579028-9
EXTRACTION TOOL



TE Part # 1802105-1
1PORT,MATENET,REC HSG,SLD,COD A,UTP,ASSY



TE Part # 1802105-2
1PORT,MATENET,REC HSG,SLD,COD B,UTP,ASSY



TE Part # 1802105-3
1PORT,MATENET,REC HSG,SLD,COD C,UTP,ASSY



TE Part # 1802105-4
1PORT,MATENET,REC HSG,SLD,COD D,UTP,ASSY



TE Part # 1802105-5
1PORT,MATENET,REC HSG,SLD,COD E,UTP,ASSY



TE Part # 1802105-7
1PORT,MATENET,REC HSG,SLD,COD J,UTP,ASSY



TE Part # 1802105-9
1PORT,MATENET,REC HSG,SLD,COD Z,UTP,ASSY



TE Part # 2151523-2
OCEAN_2.0_APPLICATIONER-S-042F042O



TE Part # 2151524-2
OCEAN_2.0_APPLICATIONER-S-042F050O




TE Part # 2236905-1
NANO TAB 0.5X0.4, TERMINAL



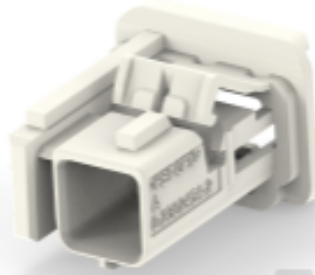
TE Part # 2282154-2
6POS, NANOMQS, REC HSG, COD B



TE Part # 2282154-3
6POS, NANOMQS, REC HSG, COD C



TE Part # 2302452-2
MATENET, FIXATION ELEMENT



TE Part # 2302454-2
1-PORT MATENET FRAME, UTP, COD B



TE Part # 2302454-3
1-PORT MATENET FRAME, UTP, COD C



TE Part # 2302454-9
1-PORT MATENET FRAME, UTP, COD Z



TE Part # 2302455-1
5-PORT MATENET FRAME, UTP, COD A

Customers Also Bought



Was called: SDE PEW 12
Now renamed to: SDE SA (no other physical changes)

TE Part #91391-1
SDE PEW 12MICRO MNL HAND TOOL



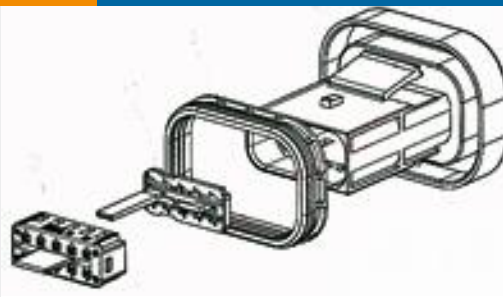
TE Part #1379678-1
16W TAB HSG ASSY BLACK




TE Part #936242-1
090III 8P CAP ASSY



TE Part #2294593-1
ASSEMBLY OF 10W PLUG



TE Part #1801610-1
BULK HEAD, MCON, 10W, CLIPPED



TE Part #2295167-1
22POS, 0.64 MALE GEN. Y, TABHSG, ASSY, SLD




TE Part #2309873-1
6POS, NANOMQS, REC HSG ASSY, COD A



TE Part #2333103-1
3POS, NANOMQS, REC HSG ASSY, COD A



TE Part #2333108-1
8POS, NANOMQS, REC HSG ASSY, COD A



TE Part #2295408-1
47POS MIXED MQS REC COD A

Documents



Product Drawings

NANOMQS, RECEPTACLE TERMINAL

English

CAD Files

3D PDF

3D

Customer View Model

[ENG_CVM_CVM_2-1703930-4_A.2d_dxf.zip](#)

English

Customer View Model

[ENG_CVM_CVM_2-1703930-4_A.3d_igs.zip](#)

English

Customer View Model

[ENG_CVM_CVM_2-1703930-4_A.3d_stp.zip](#)

English

By downloading the CAD file I accept and agree to the [Terms and Conditions](#) of use.

Product Specifications

Application Specification

German