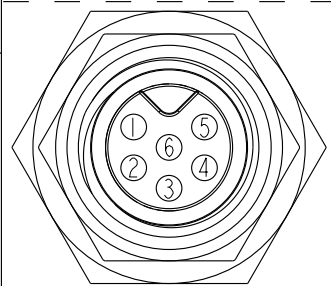
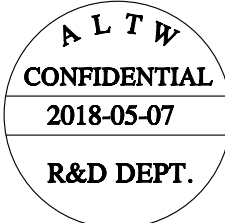
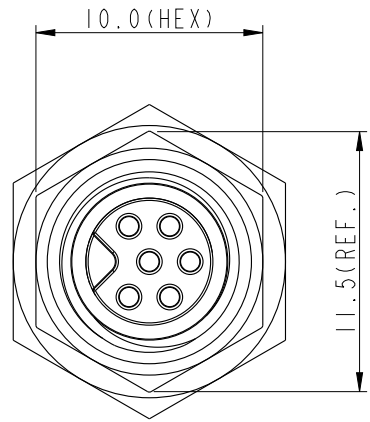
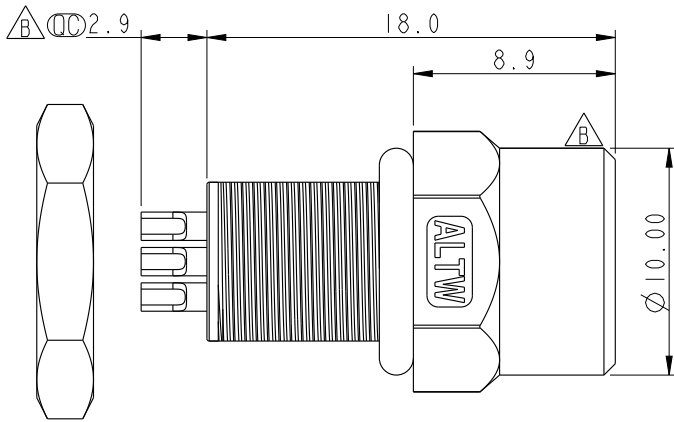
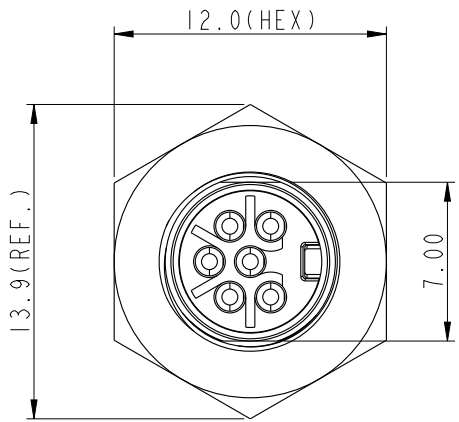
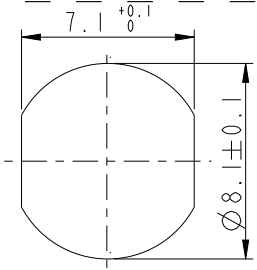


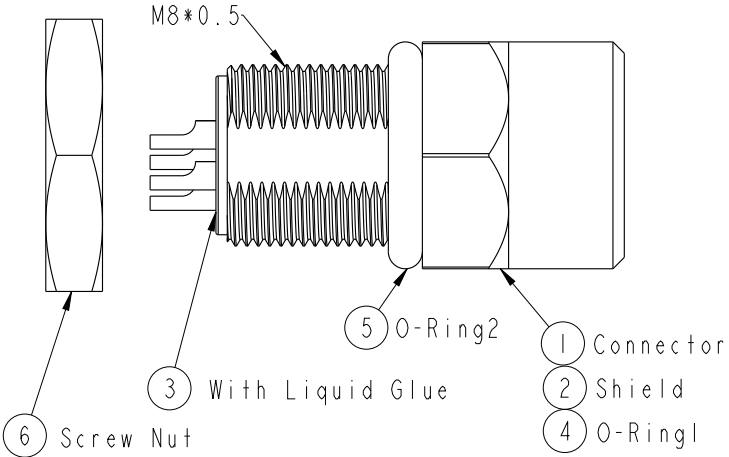
REV.	ECN NO.	DATE	SIGN	DESCRIPTION
B	LE31850075	2018/05/07	Ethan	Update Drawing



Pin Assignment Front View

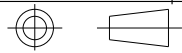


Recommended Panel Cut-Out



- Note:
- * (C) Important Dimension.
 - * Waterproof Rate: IP67.
 - * Housing: Nylon+GF, Black.
 - * Female Pin: Copper Alloy, Gold Plated.
 - * Shield: Zinc Alloy, Nickel Plated.
 - * Screw Nut: Copper Alloy, Nickel Plated.
 - * O-Ring1: Viton, Green.
 - * O-Ring2: EPDM, Black.
 - * For Panel Thickness Max 4.5mm.
 - * Nut Torque: 4~6 kgf.cm.
 - * Nut Packing: 單獨包裝.

UNIT:mm



TITLE M8 6Pin Panel F Conn. F Pin			
SCALE 3:1	SIZE A4	SHEET 1 OF 1	
REV. B	WC-REV. A.4	QC: Inspection item	

Amphenol LTW
安費諾亮泰企業股份有限公司

ITEM NO. 8A-06PFFS-SH7001	DRAWN BY Ethan	DATE 2018-05-07
DWG NO. 8A-06PFFS-SH7001	CHECKED BY Feng-Li	DATE 2018-05-07
CUSTOMER ALTW	APPROVED BY Jerry	DATE 2018-05-07

THIS DOCUMENT IS SUBJECT TO CHANGE WITHOUT NOTICE. IT IS CONFIDENTIAL AND A PROPERTY OF AMPHENOL LTW. DISCLOSURE TO THIRD PARTY HAS TO BE AUTHORIZED BY AMPHENOL LTW.