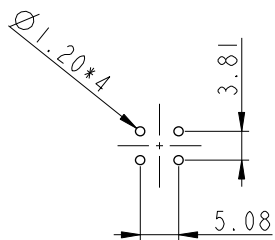
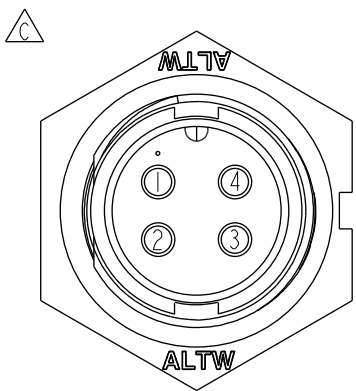
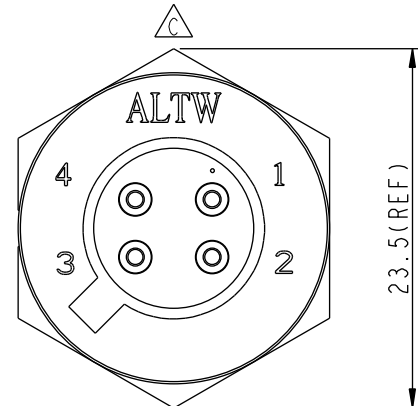
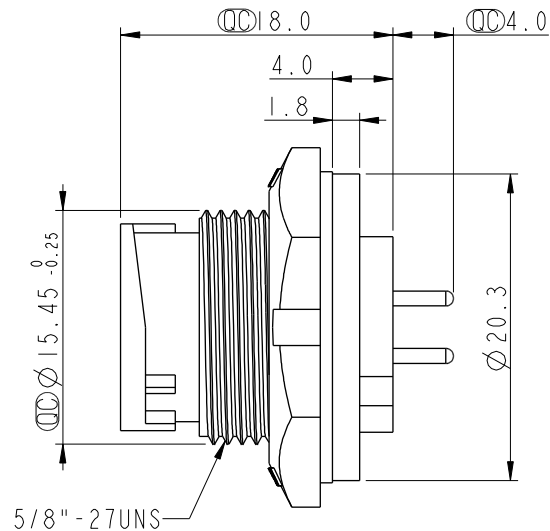
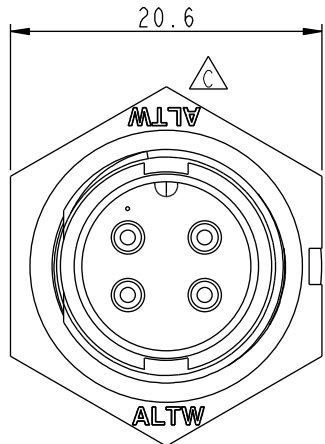


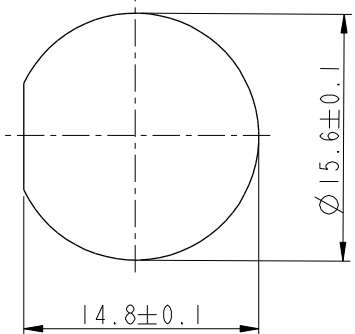
REV.	ECN NO.	DATE	SIGN	DESCRIPTION
B	LEN-8B0375	2008/09/17	Shin	Add Note
C	LEN1540255	2014/12/23	Jinhai	Change Logo
D	CI90273	2019/02/22	Ruru	Modify Note



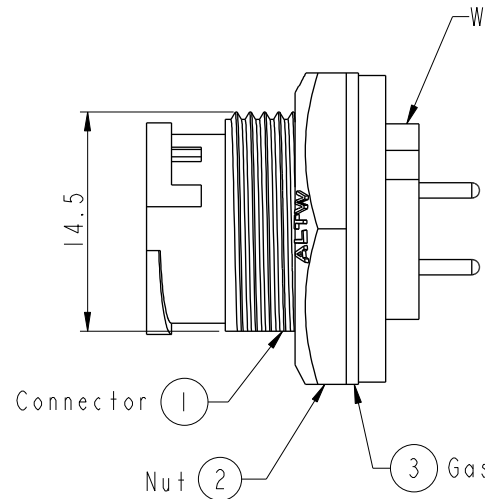
4Pin Male Connector
Male Pin PCB Layout



Pin Assignments
Front View



Recommended Panel Cut-out



- Note: \triangle
- * CC Important Dimension To Check.
 - * Waterproof Rate: IP67, Unmated
 - * Housing: Thermoplastic, Black
 - * Pin: Copper Alloy, Gold Plated
 - * Nut: Thermoplastic, Black
 - * Gasket: Rubber, Black
 - $\triangle B$ * Use With Waterproof Cap Or Dust Cap
Panel Thickness Max: 3.0mm
 - $\triangle A$ * Use Without Waterproof Cap Or Dust Cap
Panel Thickness Max: 4.5mm
 - * Gasket and Nut are packed separately in PE bags.

UNIT: mm		
TOLERANCE	.X ±0.25	
	.XX ±0.1	
	.XXX ±0.05	
ANGLES	±1°	

TITLE Standard Panel Lock 4Pin M Conn M Pin			
SCALE 2:1	SIZE A4	SHEET 1 OF 1	
REV. D	WC-REV. A.3	CC : Inspection item	

Amphenol LTW
安費諾亮泰企業股份有限公司

ITEM NO. BD-04PMMP-LC7001	DRAWN BY Ruru	DATE 2019-02-22
DWG NO. BD-04PMMP-LC7001	CHECKED BY Rita	DATE 2019-02-22
CUSTOMER ALTW	APPROVED BY Max	DATE 2019-02-22

THIS DOCUMENT IS SUBJECT TO CHANGE WITHOUT NOTICE. IT IS CONFIDENTIAL AND A PROPERTY OF Amphenol LTW. DISCLOSURE TO THIRD PARTY HAS TO BE AUTHORIZED BY Amphenol LTW.