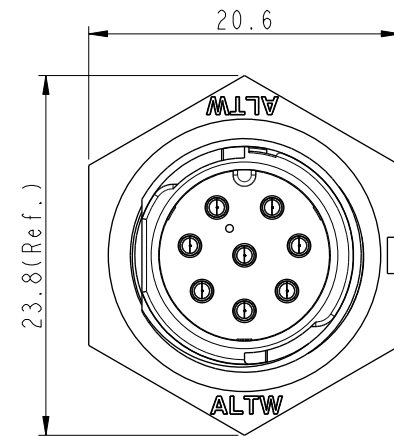
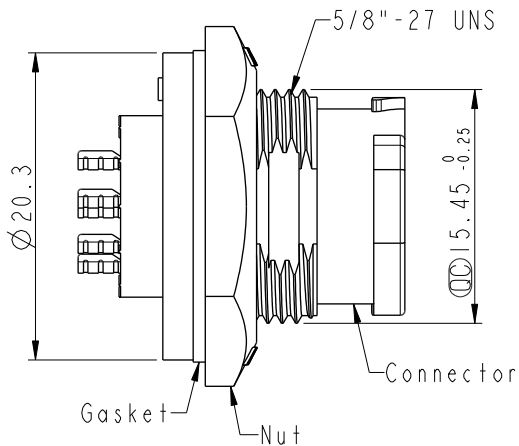
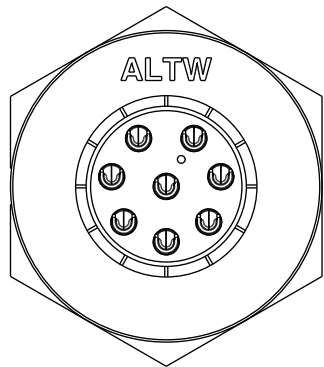
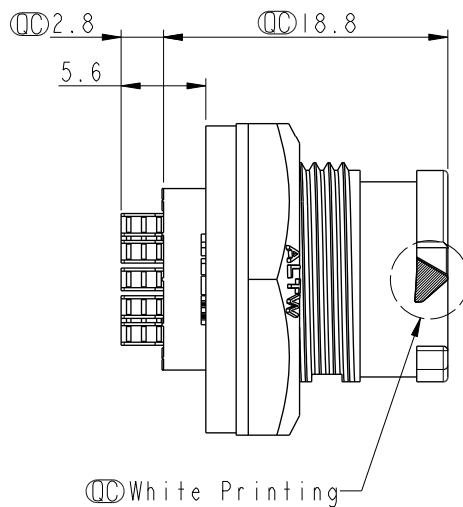


REV.	ECN NO.	DATE	SIGN	DESCRIPTION
B	C190411	2019/03/19	Vicky	Change Note
C	C220466	2022/04/14	Ruru	$\triangle C$ X7
D	C230086	2023/01/31	Ruru	$\triangle D$ XI

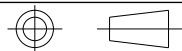


$\triangle C$
BD-XXPMS-QC8001
XX: No. Of Pin



- Note: $\triangle B$ $\triangle C$
- * RoHS Compliant
 - * ⌀ Important dimension
 - $\triangle D$ * Waterproof rate: IP68, unmated 1m/24h
 - * Connector
 - Housing: Thermoplastic, Black
 - Pin: Copper alloy, Gold plated
 - * Nut: Thermoplastic, Black
 - * Gasket: Rubber, Gray
 - * Use with waterproof cap or dust cap
 - Panel thickness max: 3.0mm
 - * Use without waterproof cap or dust cap
 - Panel thickness max: 4.0mm
 - * Gasket and nut are packed separately in pe bag

UNIT:mm



TOLERANCE

.X ± 0.25 mm

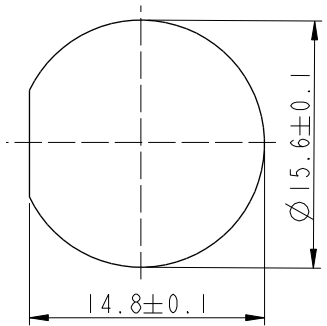
TITLE XLOK, B-5A, FRONT FASTENED M, M, SOLDER, PUSH LOCK $\triangle C$			
SCALE 2:1	SIZE A4	SHEET 1 OF 2	
REV. D	WC-REV. A.3	⌀ : Inspection item	

Amphenol LTW
安費諾亮泰企業股份有限公司

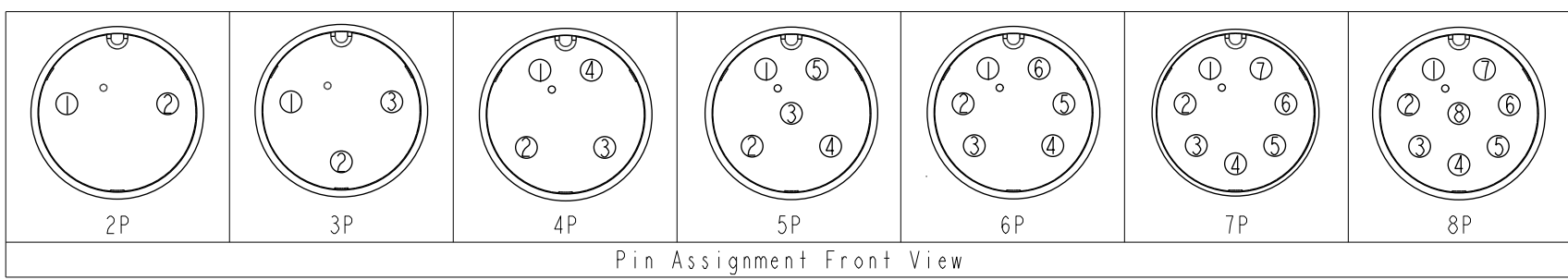
ITEM NO.	DRAWN BY Vicky	DATE 2019-03-19
DWG NO. BD-XXPMS-QC8001 $\triangle C$	CHECKED BY Rita	DATE 2019-03-19
CUSTOMER ALTW	APPROVED BY Max	DATE 2019-03-19

THIS DOCUMENT IS SUBJECT TO CHANGE WITHOUT NOTICE. IT IS CONFIDENTIAL AND A PROPERTY OF Amphenol LTW. DISCLOSURE TO THIRD PARTY HAS TO BE AUTHORIZED BY Amphenol LTW.

THIS DOCUMENT IS SUBJECT TO CHANGE WITHOUT NOTICE. IT IS CONFIDENTIAL AND A PROPERTY OF Amphenol LTW. DISCLOSURE TO THIRD PARTY HAS TO BE AUTHORIZED BY Amphenol LTW.



△



UNIT: mm		
TOLERANCE	.X ± 0.25 mm	

TITLE XLOK, B-5A, FRONT FASTENED M, M, SOLDER, PUSH LOCK △		
SCALE 2:1	SIZE A4	SHEET 2 OF 2
REV. D	WC-REV. A.3	QC: Inspection item

Amphenol LTW
安費諾亮泰企業股份有限公司

ITEM NO	DWG NO BD-XXPMMS-QC8001 △
CUSTOMER ALTW	

DRAWN BY Vicky	CHECKED BY Rita
APPROVED BY Max	

DATE 2019-03-19	DATE 2019-03-19
DATE 2019-03-19	