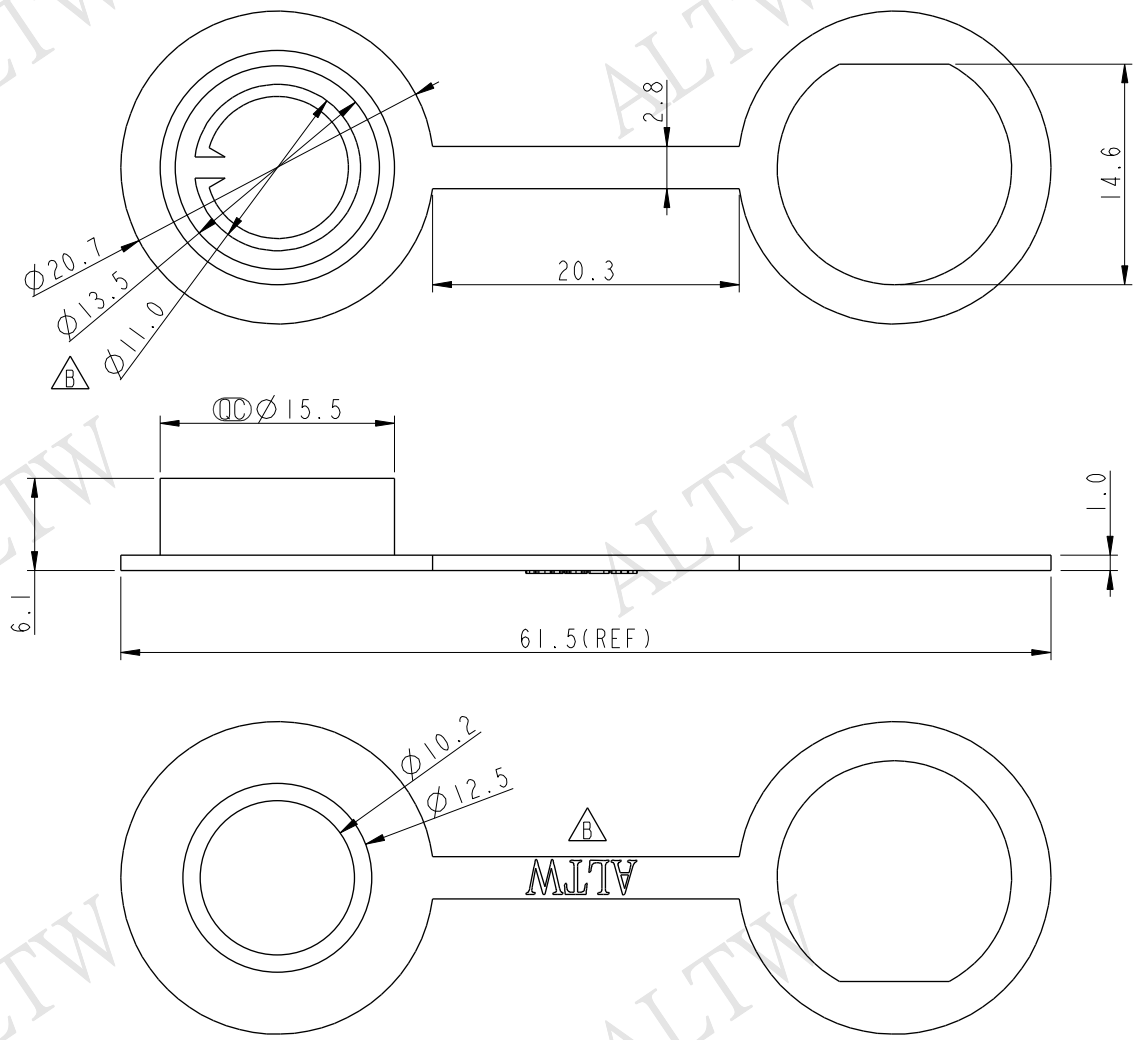


THIS DOCUMENT IS SUBJECT TO CHANGE WITHOUT NOTICE. IT IS CONFIDENTIAL AND A PROPERTY OF AMPHENOL LTW. DISCLOSURE TO THIRD PARTY HAS TO BE AUTHORIZED BY AMPHENOL LTW.

REV.	ECN NO.	DATE	SIGN	DESCRIPTION
A	Initial Release	2013/08/19	Vicky	Old Item No. CAP-DABPMXC1
B	LEN1530048	2015/01/12	Ruru	Change Logo & Add Dimension



ALTW
 CONFIDENTIAL
 2015-01-12
 R&D DEPT.

ALTW
 DCC. DEPT.
 CONFIDENTIAL
 2015.03.10
 ISSUED

Note:
 * ϕ Important Dimension.
 * Material: Plastic Rubber, Black
 * Mold No.: LTW-TM123-X

UNIT: mm TOLERANCE ± 0.5 mm	TITLE 5/8"-27 UNS M Conn		Amphenol LTW 安費諾亮泰企業股份有限公司		ITEM NO. CAP-DABMDPC1	DRAWN BY Ruru	DATE 2015-01-12
	SCALE 2:1	SIZE A4			SHEET 1	OF 1	DWG NO. CAP-DABMDPC1
	REV. B	WC-REV. A.2	ϕ : Inspection item		CUSTOMER ALTW	APPROVED BY Win	DATE 2015-01-12