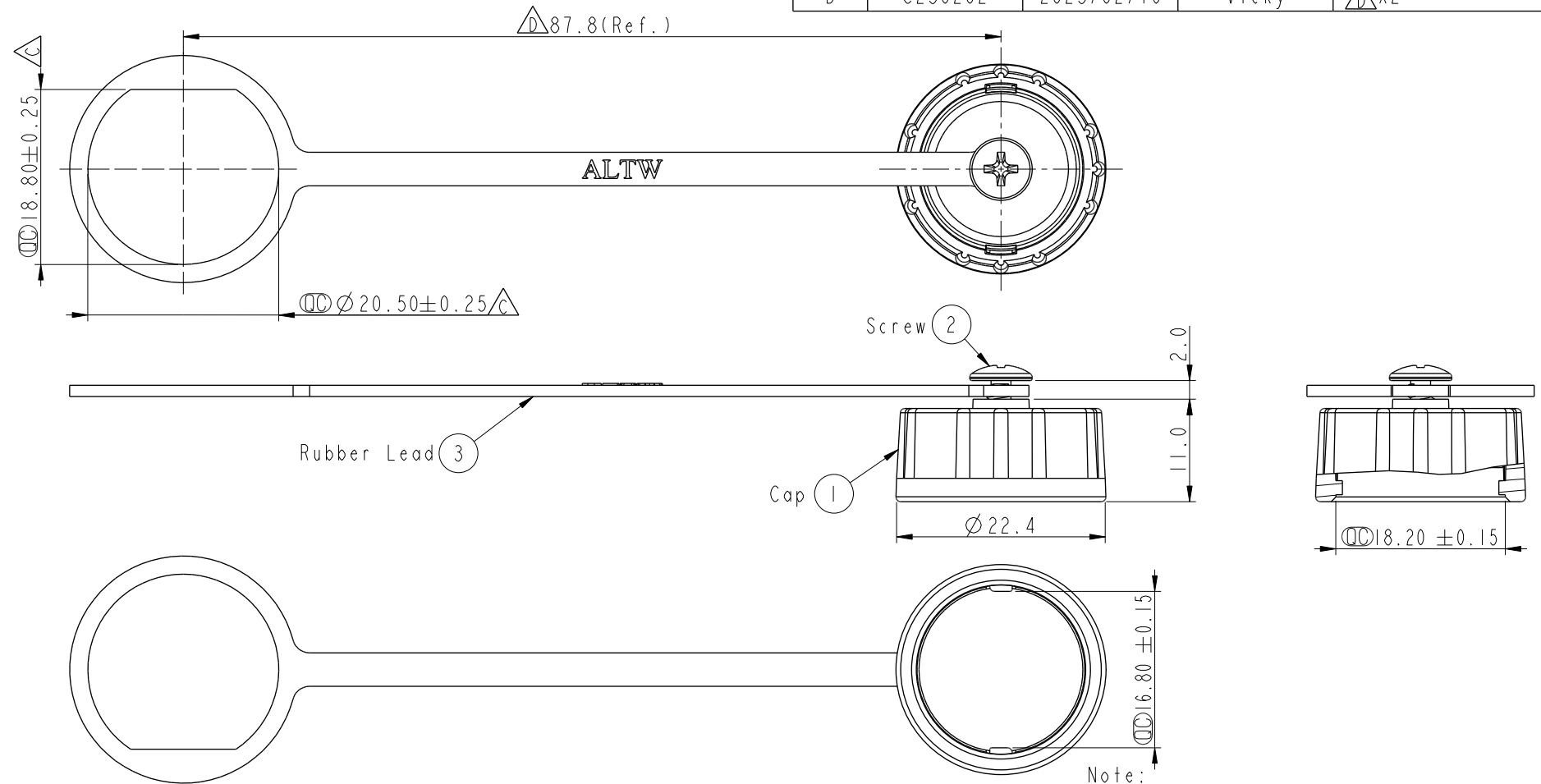


THIS DOCUMENT IS SUBJECT TO CHANGE WITHOUT NOTICE. IT IS CONFIDENTIAL AND A PROPERTY OF Amphenol LTW. DISCLOSURE TO THIRD PARTY HAS TO BE AUTHORIZED BY Amphenol LTW.

REV.	ECN NO.	DATE	SIGN	DESCRIPTION
B	LEN1470199	2014/06/18	Yulong_wang	Change the Gasket Material
C	LE31510472	2015/01/26	Mafei	Change The Chain Material From PVC to TPES
D	C230202	2023/02/16	Vicky	$\triangle D$ X2



Note:  
 \*  $\text{CC}$  Important Dimension To Check.  
 \* Waterproof Rate: IP67.  
 \* Cap: Nylon+GF, Black.  
 \* Gasket: Silicone, Gray.  
 \* Rubber Lead: TPES, Black.  
 \* Screw is not allowed to tight (Chain be revolve)  
 不可將螺絲鎖緊 (Rubber Lead要可旋轉)

UNIT: mm		
TOLERANCE	.X	$\pm 0.25$
	.XX	$\pm 0.1$
	.XXX	$\pm 0.05$
ANGLES		$\pm 1^\circ$

TITLE ACC, CERES, WP CAP 2LOCK, W/RB LEAD			$\triangle D$
SCALE 3:2	SIZE A4	SHEET 1 OF 1	
REV. D	WC-REV. A.5	$\text{CC}$ : Inspection item	

**Amphenol LTW**  
 安費諾亮泰企業股份有限公司

ITEM NO CAP-WACMLPCI	DRAWN BY Mafei	DATE 2015-01-26
DWG NO CAP-WACMLPCI	CHECKED BY Arthur	DATE 2015-01-26
CUSTOMER ALTW	APPROVED BY Jerry	DATE 2015-01-26