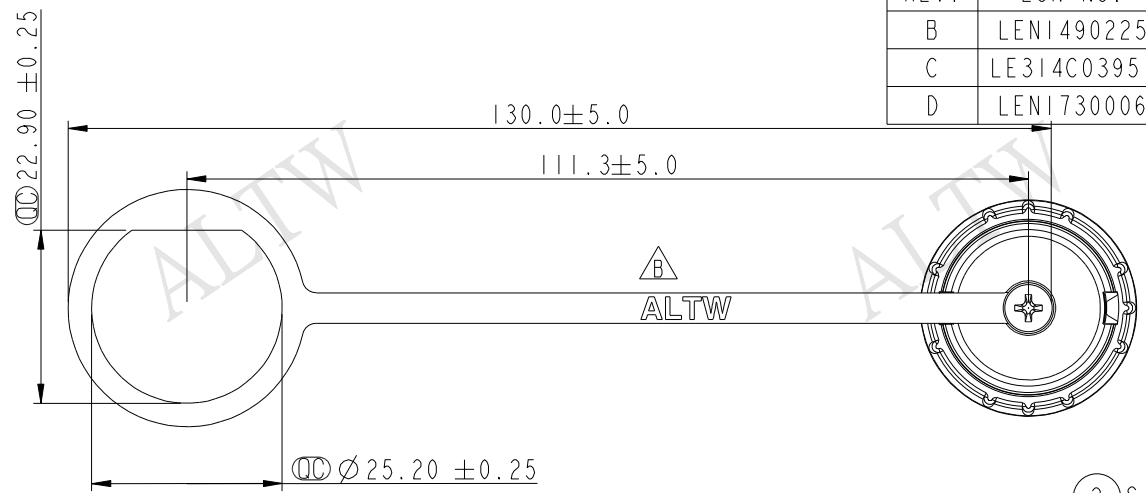
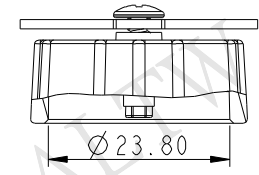
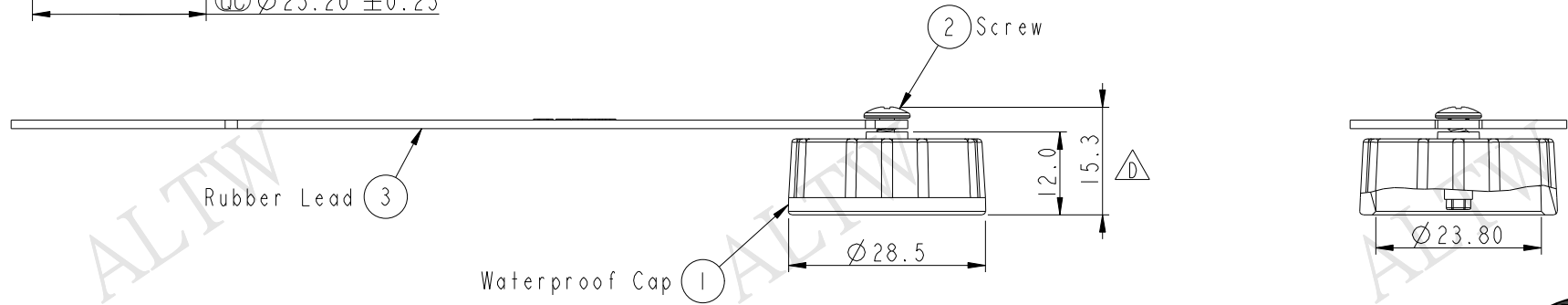


THIS DOCUMENT IS SUBJECT TO CHANGE WITHOUT NOTICE. IT IS CONFIDENTIAL AND A PROPERTY OF AMPHENOL LTW. DISCLOSURE TO THIRD PARTY HAS TO BE AUTHORIZED BY AMPHENOL LTW.

REV.	ECN NO.	DATE	SIGN	DESCRIPTION
B	LEN1490225	2014-08-26	Feng_Li	Change Logo and Note
C	LE314C0395	2014-12-18	Tom	Change Rubber Lead Material
D	LEN1730006	2017-02-21	Feng_Li	Change The Dimension



**ALTW**  
**CONFIDENTIAL**  
 2017-02-21  
**R&D DEPT.**



**ALTW**  
 DCC. DEPT.  
**CONFIDENTIAL**  
 2017.03.06  
**ISSUED**

- Note:
- \*  $\text{CC}$  Important Dimension To Check.
  - \* Waterproof Rate: IP67.
  - \* Cap: Nylon+GF, Black, UV Resistance.
  - \* Gasket: Silicone, Black.
  - \* Rubber Lead: TPES, Black.
  - \* Screw is not allowed to tight (Chain be revolve)  
 不可將螺絲鎖緊 (Rubber Lead要可旋轉)

UNIT: mm			TITLE Waterproof Cap For Male Conn. D Size Lock Type (Use in USB & RJ)		
TOLERANCE	.X ±0.25	.XX ±0.1	SCALE 1:1	SIZE A4	SHEET 1 OF 1
	.XXX ±0.05	ANGLES ±1°	REV. D	WC-REV. A.3	$\text{CC}$ : Inspection item

**Amphenol LTW**  
 安費諾亮泰企業股份有限公司

ITEM NO CAP-WADMLPC2	DRAWN BY Feng_Li	DATE 2017-02-21
DWG NO CAP-WADMLPC2	CHECKED BY Jinhai	DATE 2017-02-21
CUSTOMER ALTW	APPROVED BY Jerry	DATE 2017-02-21

